

HAR-600 AIR REGULATOR AND GAUGE HAR-507 AIR REGULATOR

IMPORTANT:

Read and follow all instructions and SAFETY PRECAUTIONS before using this equipment. Retain for future reference.



Risk of personal injury.
 Risk of property damage.

Except as otherwise specified by the manufacturer, this product is specifically designed for compressed air service and use with any other fluid (liquid or gas) is a misapplication. For example, use with or injection of certain hazardous gases in the system (such as oxygen or liquid petroleum gas) could be harmful to the unit or result in a combustible condition that may cause fire or explosion. Manufacturer's warranties are void in the event of misapplication and manufacturer assumes no responsibility for any resulting loss.



Risk of injury. Release all air pressure from system before servicing system. Be sure to read and understand all Service Bulletins on the separate components before using the system. Use only specified DeVilbiss parts.

DESCRIPTION

This regulator has been designed to receive air at main line pressure and to deliver it at a desired lower regulated pressure.

Specifications

Air inlet	3/8" NPT(F)
Air outlets	1/4" NPT(F) (3 Ea.)
Air Capacity	60 CFM
Maximum Temp.	150° F
Max. Inlet Pressure	150 psi
Regulator range	0-125 psi

INSTALLATION

1. Maximum inlet pressure and operating temperature ratings are 150 psig and 150° F (intermittent to 180° F).
2. Install as close as possible to where regulated air is needed.
3. Install the unit with the air flowing through the body in the direction indicated by the arrow.
4. Install the same pipe size unit as the pipe line in use. Avoid using fittings, couplings, etc., that restrict the air flow, unless maximum flow is not needed.
5. Regulator may be installed so that adjusting handle is in any position. Attach gauge to one 1/4" female port.
6. Turning the adjusting screw clockwise increases the regulated pressure and turning it counterclockwise reduces the regulated pressure.

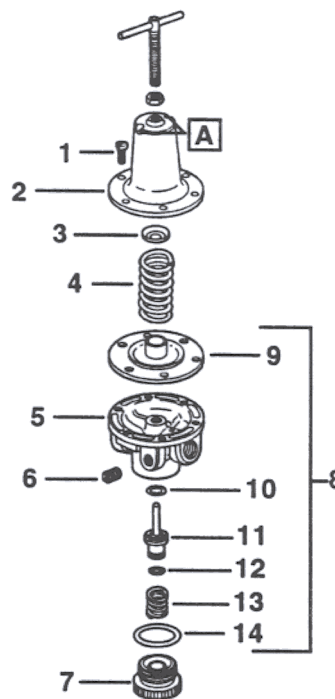
REGULATOR MAINTENANCE

1. Occasionally remove bottom plug (7) and clean valve seat (11) and body. Clean parts with denatured alcohol, wipe off seat and blow out body with compressed air.

2. To disassemble regulator, remove screws, bonnet, spring and spring button. Diaphragm assembly can now be removed.
3. Check all O-rings for signs of damage. Replace if necessary.
4. Reassembly parts. Insert stem of valve through hole in regulator body. Install spring and o-rings. Screw bottom plug into body.

Note

Erratic operation or loss of regulation is usually due to dirt in the valve area and cleaning is necessary. If cleaning does not correct the problem, replace the items included in Repair Kit KK-4977. If unit leaks air at [A] install Repair Kit KK-4977.

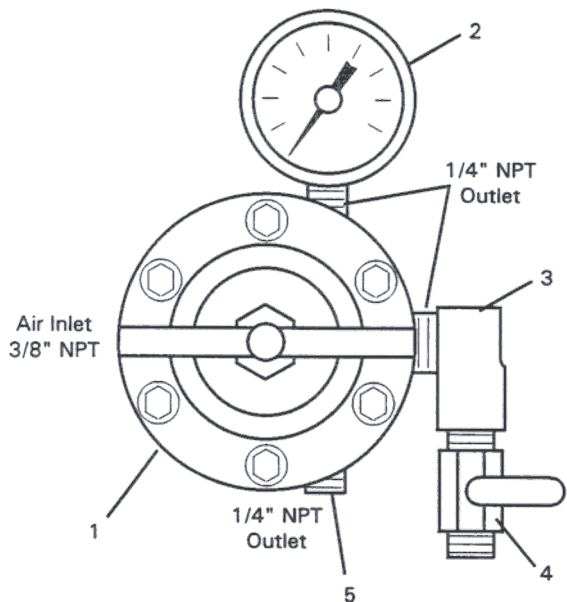


PARTS LIST - Model HAR-507 Regulator Assembly

Ref No.	Replacement Part No.	Description	Ind. Parts Req.
1	---	#10-32x9/16 Fillister Hd. Screw	6
2	HAR-14	Cover	1
3	HAR-13	Spring Button	1
4	HAR-12	Diaphragm Spring	1
5	---	Body	1
6	---	Pipe Plug 1/4" NPT(M)	1
7	HAR-8	Bottom Plug	1
8	KK-4977	Repair Kit (includes Items 9 thru 14)	1
9	---	Diaphragm Assy.	1
10	---	O-Ring	1
11	---	Valve	1
12	---	O-Ring	1
13	---	Spring	1
14	---	O-Ring	1

Model HAR-600 Regulator and Gauge Assembly

PARTS LIST - HAR-600 Regulator and Gauge



Ref No.	Replacement Part No.	Description	Ind. Parts Req.
1	HAR-507	Regulator	1
2	GA-288	Gauge	1
3	---	1/4" NPT Street Elbow	1
4	VA-542	Ball Valve	1
5	---	1.4" NPT Plug	1

INSTALLATION

Assemble gauge (2), elbow (3), ball valve (4) and plug (5) to regulator as shown. Use quality pipe sealant or Teflon tape (not supplied) when installing above components and when installing regulator to air line piping.

WARRANTY

This product is covered by DeVilbiss' 1 Year Limited Warranty. See SB-1-000 which is available upon request.

WORLDWIDE SALES AND SERVICE LISTING

DeVILBISS INDUSTRIAL SPRAY EQUIPMENT

DeVilbiss has authorized distributors throughout the world. FOR TECHNICAL ASSISTANCE, CALL TOLL FREE 1-800-338-4448 (U.S.A. ONLY). FOR LOCAL CALLS, SEE LISTING BELOW.

U.S./Canada Sales & Customer Service Office
MAUMEE, OH 43537

Address
1724 Indian Wood Circle

Telephone No.
(419) 891-8200
Toll Free Fax No. 1-800-338-0131

DeVILBISS AUTOMOTIVE REFINISHING

DeVilbiss has authorized distributors throughout the world. For equipment, parts and service, check the Yellow Pages under "Automobile Body Shop Equipment and Supplies". If further assistance is required, write or call one of the following DeVilbiss Distribution Centers or Sales Offices nearest you.

FOR TECHNICAL ASSISTANCE, CALL TOLL FREE 1-800-445-3988 (U.S.A. ONLY). FOR LOCAL CALLS, SEE LISTING BELOW.

U.S. Customer Service Office
MAUMEE, OH 43537

Address
1724 Indian Wood Circle

Telephone No.
General Inquiry (419) 891-8100
Toll Free Fax No. 1-800-445-6643



An Illinois Tool Works Company