



INDUSTRIAL COATING EQUIPMENT

HAF-407 & HAF-408 CleanAir™ MOUNTING BRACKETS

DESCRIPTION

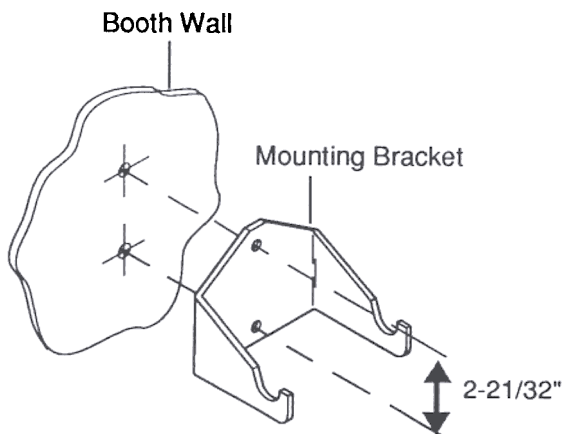
HAF-407 Bracket Assembly Kit - Used with HAF-502 and HFRL-508

HAF-408 Bracket Assembly Kit - Used with HAF-503, HAF-508, HAF-509, HFRL-509, HFRL-511, HFRL-512 & HFRL-513.

INSTALLATION

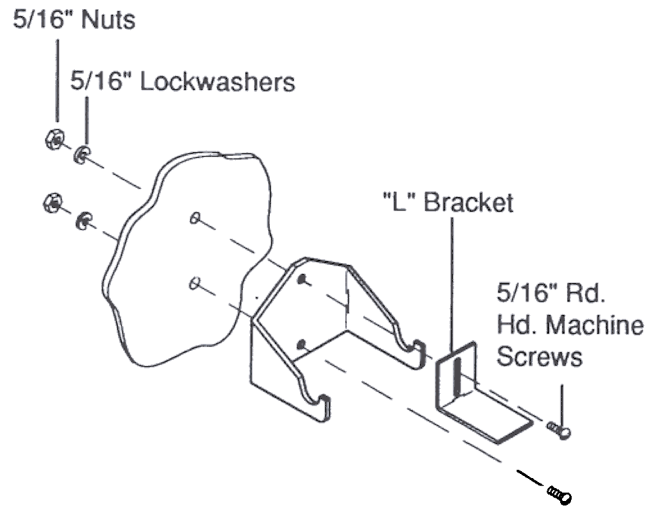
1. Use bracket as template for mounting holes.
2. Drill appropriate sized holes through booth wall as shown. Note two 5/16" round head screws, nuts and lockwashers are supplied. If mounting into a solid wall, use anchors (supplied by users).

Figure 1



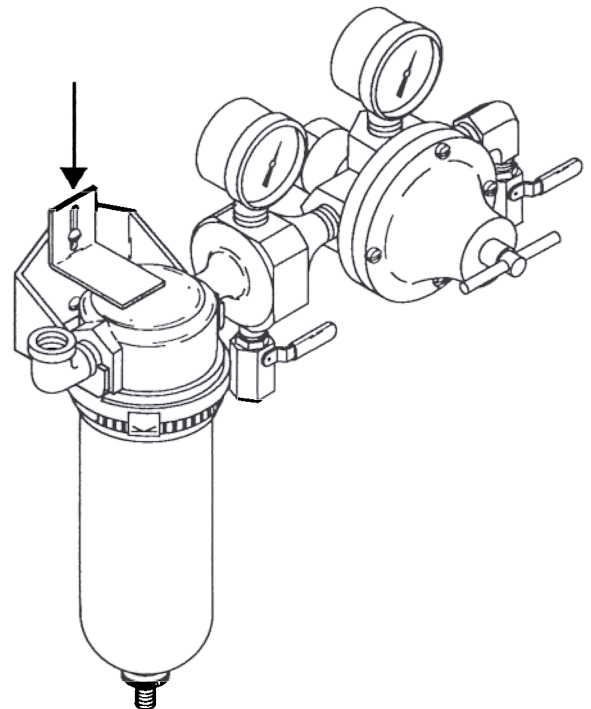
3. Assemble bracket to wall, positioning "L" bracket in top screw.
4. Tighten **bottom** screw firmly. Leave top screw partially loose so "L" bracket can slide up out of the way.

Figure 2



5. Place CleanAir™ unit in bracket positioning between curved saddle ears.
6. Slide "L" bracket down against to of unit, then firmly tighten the top screw.

Figure 3



WARRANTY

This product is covered by DeVilbiss Ransburg's 1 Year Limited Warranty. See SB-1-000 which is available upon request.

WORLDWIDE SALES AND SERVICE - DeVilbiss Ransburg Industrial Coating Equipment

DeVilbiss Ransburg has authorized distributors throughout the world. For equipment, parts and service, check the Yellow Pages under "Spray Equipment." If further assistance is required, write or call one of the following DeVilbiss Ransburg Distribution Centers or Sales Offices nearest you.

FOR TECHNICAL ASSISTANCE, CALL TOLL FREE 1-800-338-4448 (U.S.A. ONLY). FOR LOCAL CALLS, SEE LISTING BELOW.

U.S. Sales and Distribution Centers	Address	Telephone No.
SANTA FE SPRINGS, CA 90670	12878 E. Florence Avenue	(213) 944-1111 Toll Free Fax No. 1-800-733-2256
* Sales Office Only		
* ATLANTA, GA 30336	520 Wharton Circle, P.O. Box 43226 Industrial Branch	(404) 696-4988 Fax No. (404) 505-3345
* MAUMEE, OH 43537	1724 Indian Wood Circle, Suite F	(419) 891-8200 Toll Free Fax No. 1-800-338-0131
Canada Sales and Distribution Centers	Address	Telephone No.
BARRIE, ONTARIO, L4M 6K1	50 Wood St., P.O. Box 2300	(705) 728-5533 Fax No. (705) 739-5956

INTERNATIONAL MARKETING AND MANUFACTURING IN COUNTRIES LISTED BELOW

Milperra, N.S.W. and Moorabbin, Vic. Australia	Dietzenbach, Germany
Sao Paulo, Brasil	Tokyo, Japan
Bournemouth, England	Tlalneantla, Mexico
Valence (Cedex), France	

DeVilbiss Ransburg
Industrial Coating Equipment
Maumee, Ohio 43537

DeVilbiss Ransburg Spray Equipment
A Div. of ITW Canada Inc.
Barrie, Ontario, Canada L4M 6K1