

GH-505 GUN HOLDER

DESCRIPTION

The GH-505 gun holder (includes items with *) is made to hold standard paint cups, gravity feed guns and cups and paint filters. The GH-57 wall bracket (optional) is available to wall mount the gun holder at the point of use.

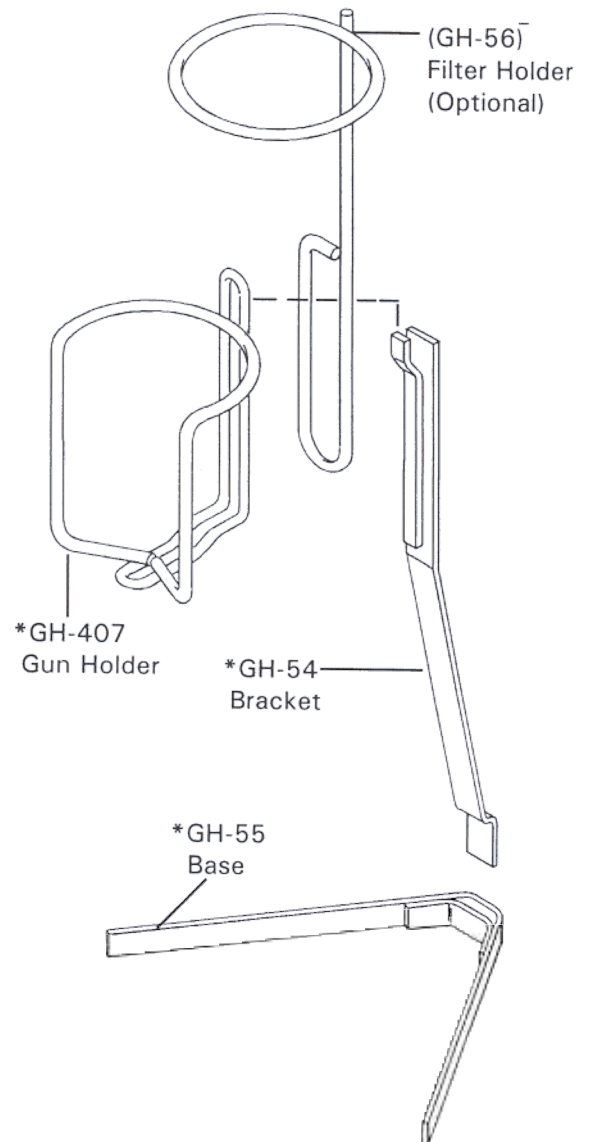
ASSEMBLY INSTRUCTIONS

Insert the bracket (GH-54) into the base (GH-55). The bracket must face forwards with the gun holder bracket forward.

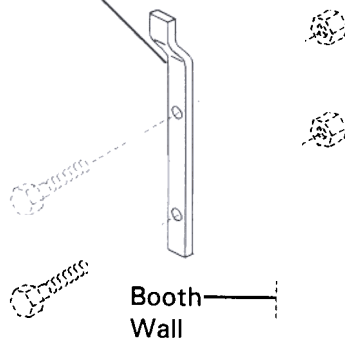
- 2 Place the GH-56 filter holder (optional) over the gun holder bracket of the bracket (GH-54).
- 3 By holding the filter holder (GH-56) slightly up, slip the upper loop of the gun holder (GH-407) over the top of the hook and allow the filter holder to fit on top of the gun holder.
- 4 Mount the GH-57 wall mount bracket to the booth wall using appropriate hardware (hardware not included).

Note

When ordering GH-407 gun holder separately, (1) GH-57 Wall Mount Bracket is also included.



GH-57 Wall Mount Bracket (Optional)



DeVilbiss Industrial Spray Equipment

DeVilbiss has authorized distributors throughout the world. If further assistance is required, write or call one of the following DeVilbiss Distribution Centers or Sales Offices nearest you. FOR TECHNICAL ASSISTANCE OR THE DISTRIBUTOR NEAREST YOU, CALL TOLL FREE 1-800-338-4448 (U.S.A. & Canada). FOR LOCAL CALLS, SEE LISTING BELOW.

U.S./Canada Sales & Customer Service Office	Address	Telephone No.
MAUMEE, OH 43537	1724 Indian Wood Circle	(419) 891-8200
		Toll Free Fax No. 1-800-338-0131

DeVilbiss Automotive Refinishing

DeVilbiss has authorized distributors throughout the world. For equipment, parts and service, check the Yellow Pages under "Automobile Body Shop Equipment and Supplies." If further assistance is required, write or call one of the following DeVilbiss Distribution Centers or Sales Offices nearest you. FOR TECHNICAL ASSISTANCE, CALL TOLL FREE 1-800-445-3988 (U.S.A. & Canada). FOR LOCAL CALLS, SEE LISTING BELOW.

U.S. Customer Service Office	Address	Telephone No.
Maumee, OH 43537	1724 Indian Wood Circle	General Inquiry (419) 891-8100
		Toll Free Fax No. 1-800-445-6643

DEVILBISS.

An Illinois Tool Works Company

12/98

©Copyright 1998, DeVilbiss

www.devilbiss.com

Printed in U.S.A.