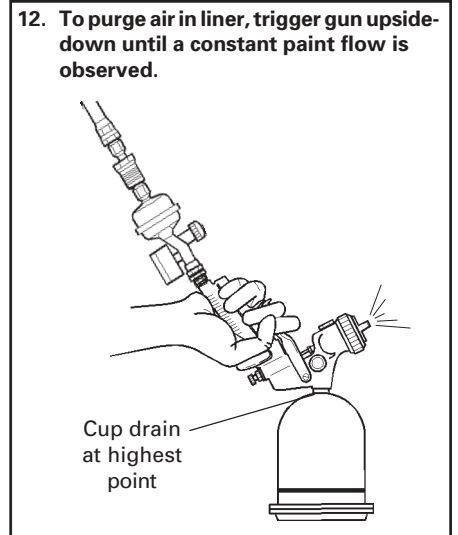
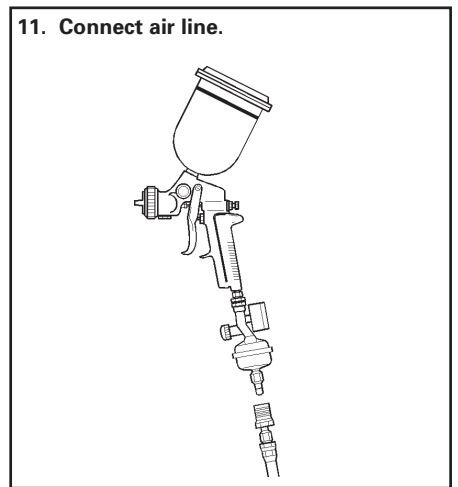
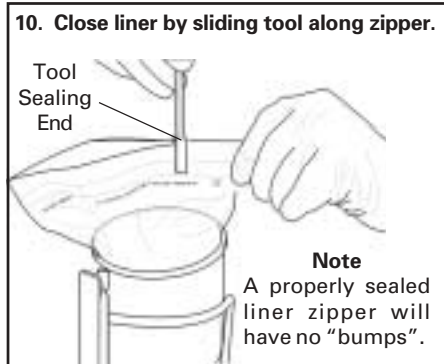
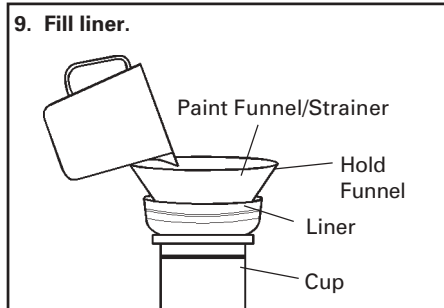
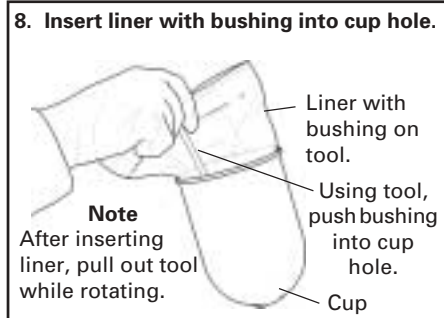
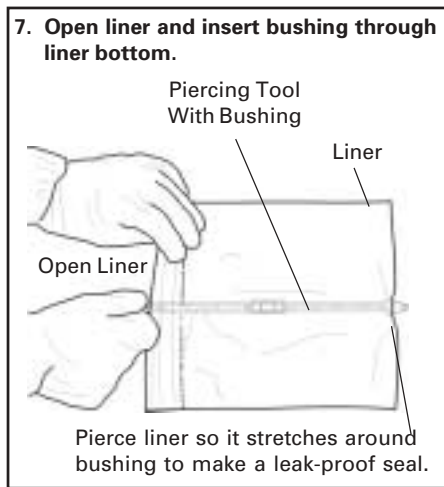
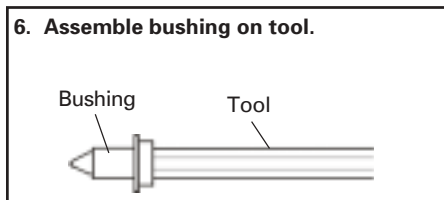
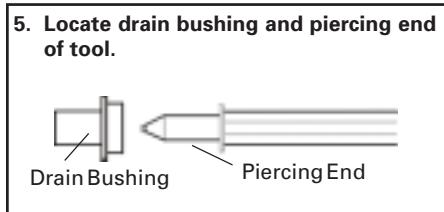
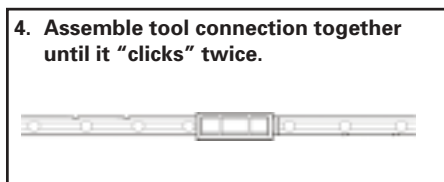
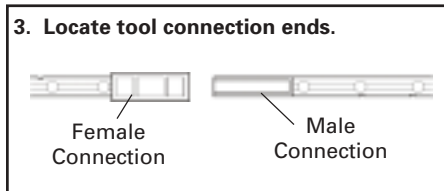
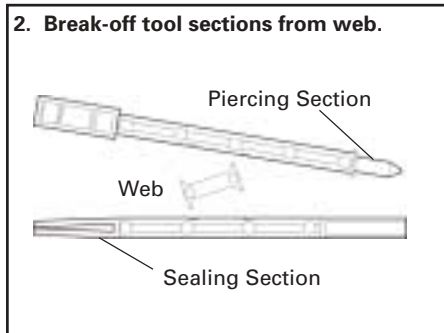
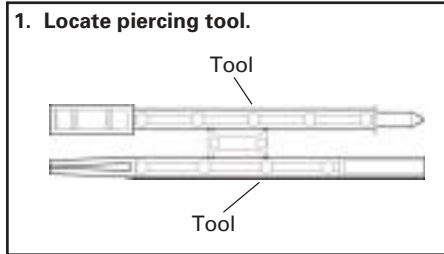


## For quick clean up and upside-down spraying, use these patented EZ Liners™ for Gravity Feed Cups.

(These liners will also fit Binks, Sata and Sharpe cups. See chart on page 2.)

### EZ Liner Installation:




---

**CUSTOMER SERVICE:**

---

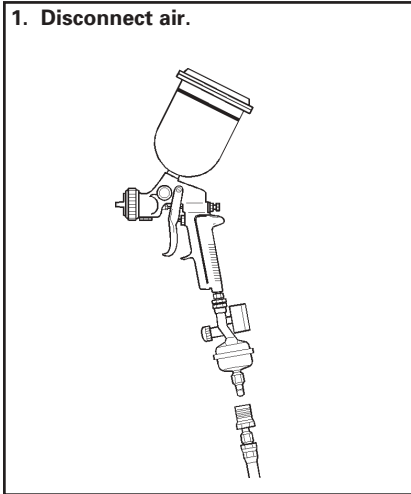
ITW Automotive Refinishing  
 call: 1-800-445-3988  
 or  
 ITW Industrial Finishing  
 call: 1-888-992-4657

---

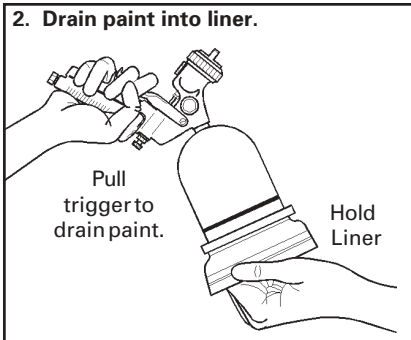
(800 numbers U.S. and Canada only)

## EZ Clean Up

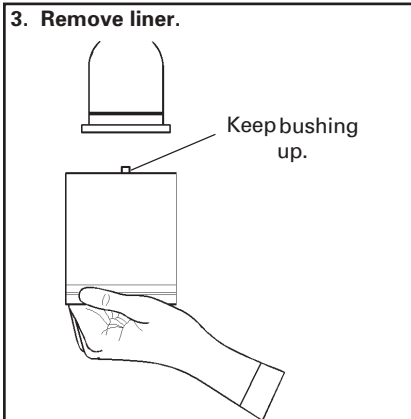
### 1. Disconnect air.



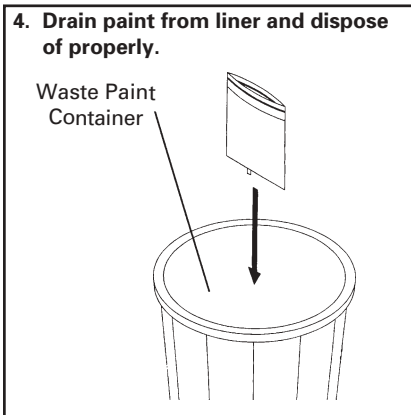
### 2. Drain paint into liner.



### 3. Remove liner.

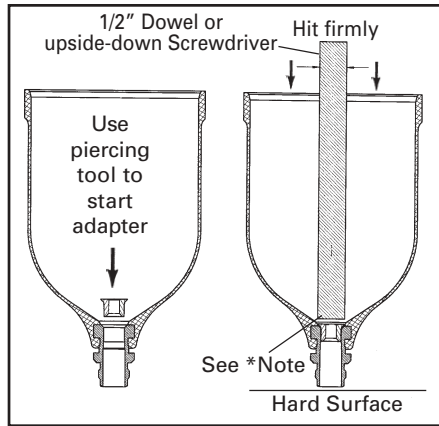


### 4. Drain paint from liner and dispose of properly.

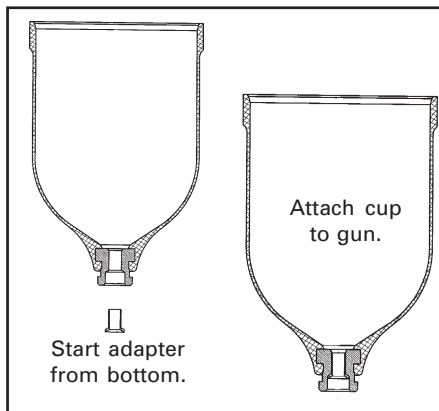


## Cup Adapter, GFC-405

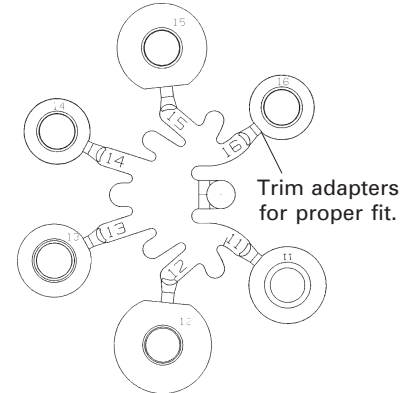
Newer DeVilbiss cups do not need adapters. The chart below shows how to use these DeVilbiss liners, OMX-70, in a variety of cups. Adapters are numbered for proper identification. Use the adapter which fits the center hole in the Gravity Feed Cup.



Adapters 11, 12, 13, 14 or 15 must be "pounded" into cup (see \*Note).

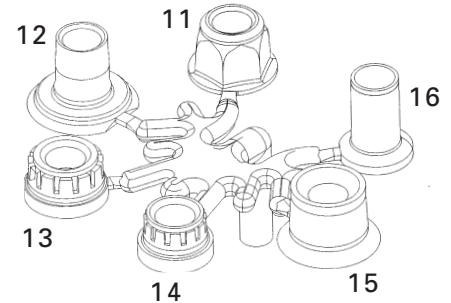


Use #16 for FLG-502 cup for FinishLine Gun.



Top View of Adapters

**\*NOTE:** Some adapters may appear to be too small – they only need to be pounded in 1/32". Some may appear too big – they need to be pounded in 1/8".



Bottom View of Adapters

DeVilbiss GFC-501 and GFC-502 cups will fit some Binks and Sharpe guns.

PART NO. ON ADAPTER →	GRAVITY CUP MANUFACTURER and NUMBER	GUN MANUFACTURING NUMBER
11	Binks 54-4250 and Sharp 1000GC and 650C	Binks M1-G Sharpe (Metal Cup), Platinum
12	Sata 80168, 46631, 77644, 6601, 23994, 1404, 7591 and 7633	Sata (Metal Cup) JET/B, JET/B and NR-95 HVLP, JET 90 MC-B, MCB HVLP
13	Sata 49379 and AccuSpray 97-018	Sata (Plastic Cup) JET 90, MC-B, MC-B HVLP
14	Sharpe 555GC and 560GC and Sata 53595	Sharpe (Plastic Cup) Cobolt and Platinum Sata (Plastic Cup) JET 90, MC-B,
15	Iwata PCG-6P-M and DeVilbiss GFC-501 and Astro GF20S (35006)	Iwata LPH-94, LPH-100 DeVilbiss (Plastic Cup) All gravity
16	DeVilbiss FLG-502 - FinishLine, female fitting	DeVilbiss FinishLine (Plastic Cup)

# DEVILBISS