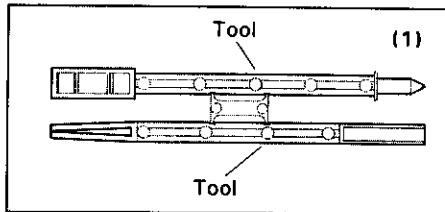


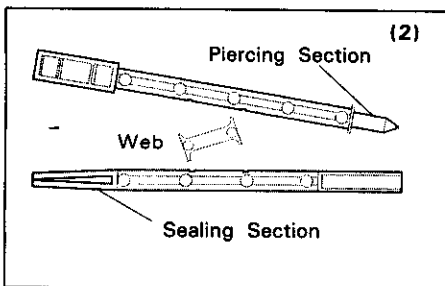
Thank you for buying the EZ Kleen™ Product Line by DeVilbiss. For quick Kleen-Up, use these patented EZ Liners™ for Gravity Feed Cups.

**EZ Liner Installation** - These liners can fit a number of gravity feed cups listed on Page 2. They are sized for cups 500mi and larger!

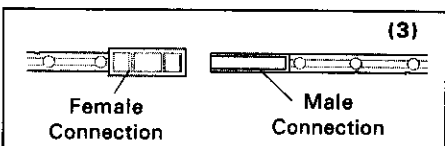
1. Locate piercing tool.



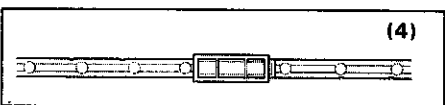
2. "Break-off tool sections from web.



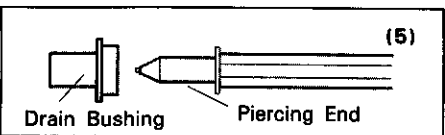
3. Locate tool connection ends.



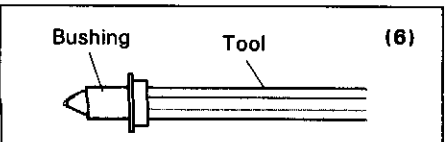
4. Assemble tool connection together until it "clicks" twice.



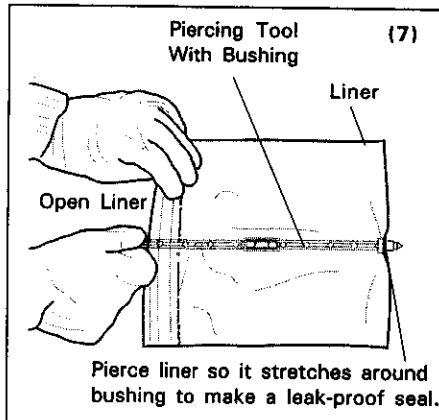
5. Locate drain bushing and piercing end of tool.



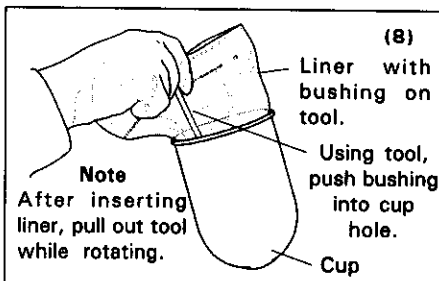
6. Assemble bushing on tool.



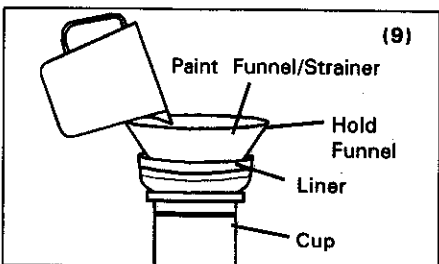
7. Open liner and insert bushing through liner bottom.



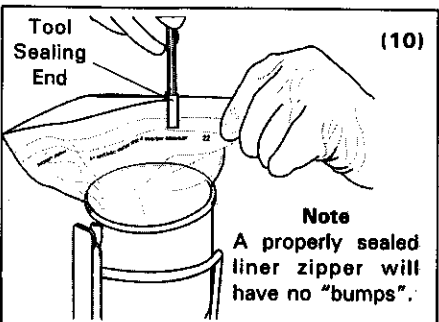
8. Insert liner with bushing into cup hole.



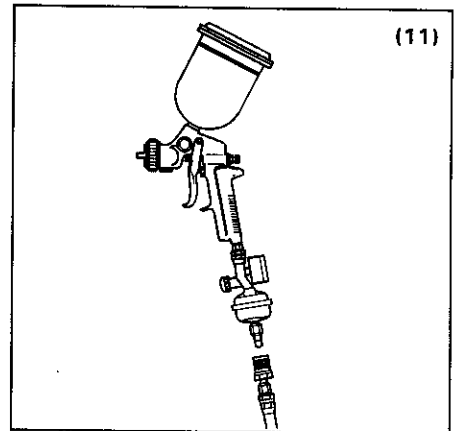
9. Fill liner.



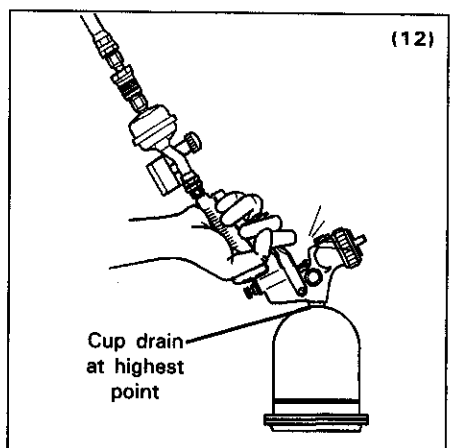
10. Close liner by sliding tool along zipper.



11. Connect air line.



12. Trigger gun upsidedown until a constant paint flow is observed.



### REORDERING INFORMATION:

To order - OMX-70-K48  
 ITW Automotive Refinishing  
 call: 1-800-445-3988

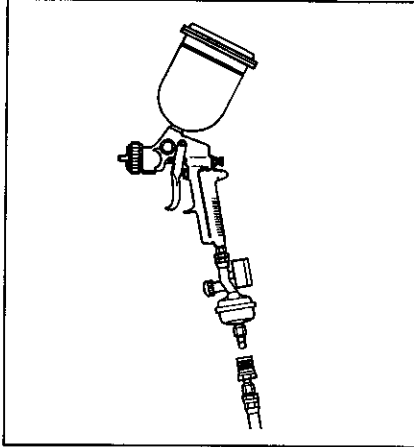
or  
 ITW Industrial Finishing  
 call: 1-800-338-4448

To order OMX-70-K8  
 Commercial/Catalog  
 call: 1-800-433-8997

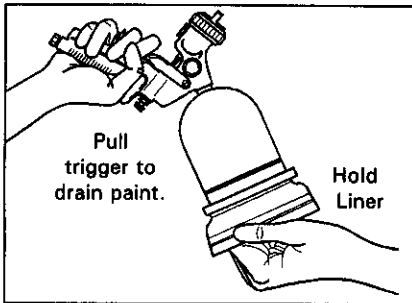
(800 Nos. U.S. and Canada only)

# EZ Kleen-Up

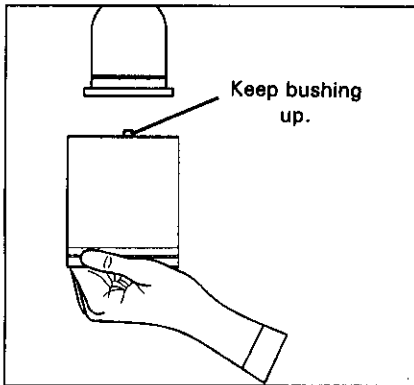
1. Disconnect air.



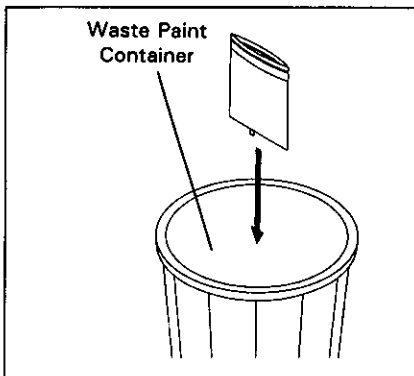
2. Drain paint into liner.



3. Remove liner.



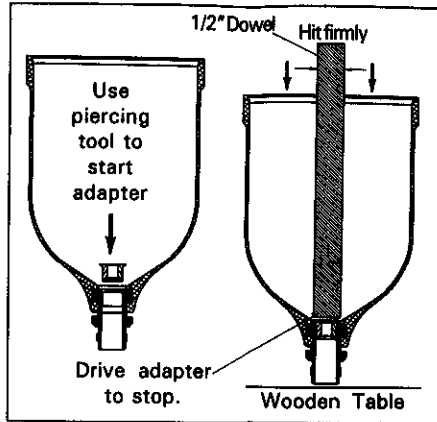
4. Drain paint from liner.



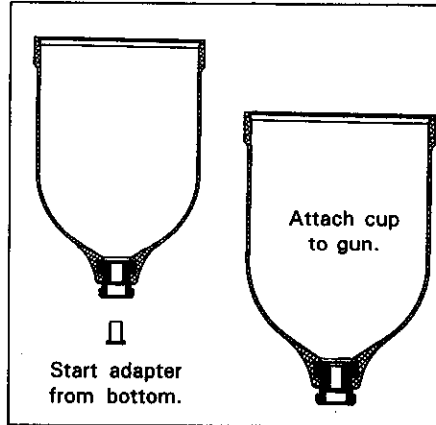
5. Let liner dry and dispose of properly.

## Cup Adapter

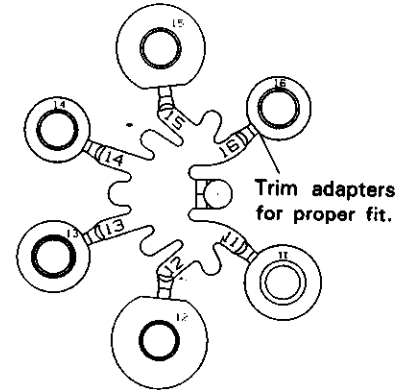
Older cups require adapters. See Chart below which will allow you to use these DeVilbiss liners, OMX-70, in a variety of cups. Adapters are numbered for proper identification. Use the adapter which fits the center hole in the Gravity Feed Cup.



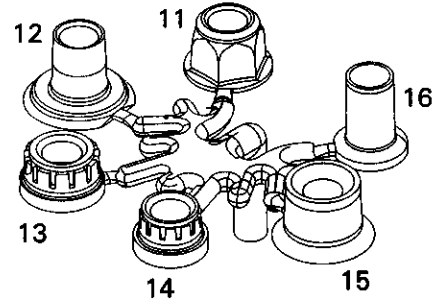
For Adapters 11, 12, 13, 14 or 15, adapter must be "pounded" into cup.



For FLG-502 for FinishLine Gun with female fitting use #16



Top View Of GFC-405 Adapters



Bottom View of GFC-405 Adapters

### Note

Newer DeVilbiss cups do not require adapters. DeVilbiss GFC-501 and GFC-502 cups will fit Binks and Sharpe guns.

### Chart 1

Part No on Adapter	Gravity Cup Manufacturer & No.	Gun Mfg. Number
11	Binks 54-4250 and Sharp 1000GC & 650C	Binks M1-G Sharpe (Metal Cup), Platinum
12	Sata 80168, 46631, 77644, 6601, 23994, 1404, & 7633	Sata (Metal Cup) JET/B, JET/B & NR-95 HVLP, JET 90 MC-B, MCB HVLP
13	Sata 49379 and AccuSpray 97-018	Sata (Plastic Cup) JET 90, MC-B, MC-B HVLP
14	Sharpe 555GC & 560GC and Sata 53595	Sharpe (Plastic Cup) Cobolt & Platinum Sata (Plastic Cup) JET 90, MC-B,
15	Iwata PCG-6P-M & DeVilbiss GFC-501 & Astro GF20S (35006)	Iwata LPH-94, LPH-100 DeVilbiss (Plastic Cup) All gravity
16	DeVilbiss FLG-502 - FinishLine, female fitting	DeVilbiss FinishLine (Plastic Cup)

# DEVILBISS

An Illinois Tool Works Company

1/00 ©Copyright, 2000, DeVilbiss

Printed in U.S.A.