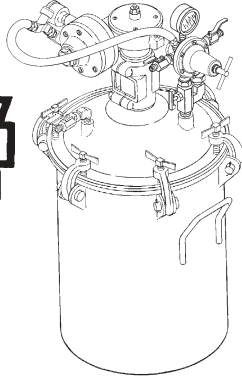


5, 10, 15 GALLON QMS TANKS (STAINLESS STEEL)

IMPORTANT: Read and follow all instructions and **SAFETY PRECAUTIONS** before using this equipment. Retain for future reference.



Approved



DESCRIPTION

DeVilbiss pressure feed tanks are intended for use as a pressure container to supply material at a constant preset pressure up to a maximum of 110 psi. The tanks are built to ASME specifications, and are FM approved. DeVilbiss pressure tanks are also certified for vacuum operation.

NOTE

These pressure tanks are constructed from stainless steel and other non-reactive materials. Materials containing halogenated solvents can be used safely with these tanks.

Standard Nonregulated Tanks (No Regulation)

Standard type tank for use to distribute "regulated" air by remote filter/regulator or other similar control to pressure tank. Equipped with pressure gauge, safety valve, air bleed down valve, and air inlet valve.

Standard Fluid Regulated Tanks (Single Regulation)

Standard type tank for use on jobs where precision control of both fluid and atomization air pressures is not required. Also used where atomization air can be taken from filter/regulator air lines. Provides standard fluid pressure control only. Equipped with pressure regulator, pressure gauge, air bleed down valve, safety valve, and inlet and outlet air valves. (For conversion to double regulation, use kit QMS-436.)

Standard Air and Fluid Regulated Tanks (Dual Regulation)

Precision controlled tanks for use with materials that are best applied at low, closely controlled, fluid and atomization air pressures. Used with portable air compressors or with air lines when no other means of air pressure regulation (filter/regulator) is available. Equipped with two regulators (one for fluid pressure, the other for atomization air pressure), two pressure gauges, air bleed down valve, safety valve, and inlet and outlet valves.

Extra Sensitive Fluid Regulation

Tanks especially adapted for use with electrostatic spray installations, application of lubricants, special coatings, etc. Suitable for use wherever extremely sensitive, non-fluctuating low pressure control is required. Large, reinforced, synthetic diaphragm type regulator controls to a maximum of 30 pounds pressure. Equipped with extra sensitive pressure regulator, pressure gauge, air bleed down valve, safety valve, inlet valve, and unregulated outlet valve.

Agitation

Pressure tanks can be equipped with different types of fluid agitation, or no agitation. Hand agitation or air agitators are provided to suit any application.

CAUTION

Refer to specifications chart to ensure that fluids and solvents being used are chemically compatible with the tank wetted parts. Before placing fluids or solvents in tank, always read accompanying manufacturer's literature.

WARNING

Air pressure loads that are higher than design loads, or changes to the pressure feed tank, can cause the tank to rupture or explode.

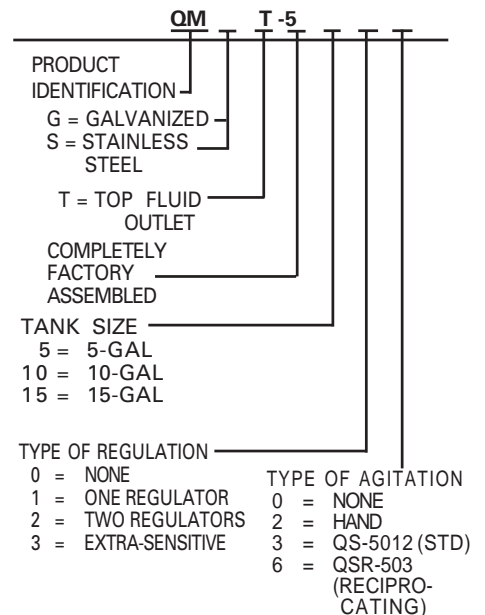
- A safety valve protects the tank from overpressurization. During each use, pull ring on the safety valve to make sure it operates freely and relieves air pressure. If the valve is stuck, does not operate freely, or does not relieve air pressure, it must be replaced with a safety valve having the same rating. Do not eliminate, make adjustments to, or substitute this valve.

- Changes to the air tank will weaken it. Never drill into, weld, or change the tank in any way.

- Maximum working pressure of this tank is 110 psi.

MODEL NUMBERS

The model numbers are coded with specific information for each character and position in the number. Refer to the following table for an explanation of each position and meaning for each character in the model number. Use this information in selecting the proper model from the MODEL APPLICATION TABLE.



SAFETY PRECAUTIONS

This manual contains important information that all users should know and understand before using the equipment. This information relates to USER SAFETY and PREVENTING EQUIPMENT PROBLEMS. To help you recognize this information, we use the following terms to draw your attention to certain equipment labels and portions of this Service Bulletin. Please pay special attention to any label or information that is highlighted by one of these terms:



Important information to alert you to a situation that might cause serious injury if instructions are not followed.







Important information that tells how to prevent damage to equipment, or how to avoid a situation that might cause minor injury.

NOTE

Information that you should pay special attention to.



The following hazards may occur during the normal use of this equipment. Please read the following chart.

HAZARD	CAUSE	SAFEGUARDS
<p>Fire</p> 	<p>Solvents and coatings can be highly flammable or combustible, especially when sprayed.</p>	<ol style="list-style-type: none"> 1. Adequate exhaust must be provided to keep the air free of accumulations of flammable vapors. 2. Smoking must never be allowed in the spray area. 3. Fire extinguishing equipment must be present in the spray area.
<p>Fire - Pressure Tank</p> 	<p>Vapors from flammable liquids can catch fire or explode.</p>	<ol style="list-style-type: none"> 1. Keep tank at least 10 feet away from sources of ignition. Ignition sources include hot objects, mechanical sparks, and arcing (non-explosion proof) electrical equipment.
<p>Inhaling Toxic Substances</p> 	<p>Certain materials may be harmful if inhaled, or if there is contact with the skin.</p>	<ol style="list-style-type: none"> 1. Follow the requirements of the Material Safety Data Sheet supplied by your coating material manufacturer. 2. Adequate exhaust must be provided to keep the air free of accumulations of toxic materials. 3. Use a mask or respirator whenever there is a chance of inhaling sprayed materials. The mask must be compatible with the material being sprayed and its concentration. Equipment must be as prescribed by an industrial hygienist or safety expert, and be NIOSH approved.
<p>Explosion, Pressure Tank - Rupture</p>	<p>Making changes to pressure tank will weaken it.</p>	<ol style="list-style-type: none"> 1. Never drill into, weld, or modify tank in any way. 2. Do not adjust, remove, or tamper with the safety valve. If replacement is necessary, use the same type and rating of valve.
<p>General Safety</p> 	<p>Improper operation or maintenance may create a hazard.</p>	<p>Operators should be given adequate training in the safe use and maintenance of the equipment (in accordance with the requirements of NFPA-33, Chapter 15 in U.S.). Users must comply with all local and national codes of practice and insurance company requirements governing ventilation, fire precautions, operation, maintenance and housekeeping (in the U.S., these are OSHA Sections 1910.94 and 1910.107, and NFPA-33).</p>

MODEL APPLICATION TABLE

MODEL NUMBER			AGITATOR	REGULATOR	
5 GALLON	10 GALLON	15 GALLON	TYPE/DRIVE	TYPE	NUMBER
QMST-5500	QMST-51000	QMST-51500	None	None	QMS-4003
QMST-5510	QMST-51010	QMST-51510	None	Single	QMS-4006
QMST-5520	QMST-51020	QMST-51520	None	Double	QMS-4007
QMST-5502	QMST-51002	QMST-51502	Hand/Crank	None	QMS-4003
QMST-5512	QMST-51012	QMST-51512	Hand/Crank	Single	QMS-4006
QMST-5522	QMST-51022	QMST-51522	Hand/Crank	Double	QMS-4007
QMST-5513	QMST-51013	QMST-51513	Std/Air	Single	QMS-4006
QMST-5523	QMST-51023	QMST-51523	Std/Air	Double	QMS-4007
QMST-5516	QMST-51016	QMST-51516	Recip/Air	Single	QMS-4006
QMST-5526	QMST-51026	QMST-51526	Recip/Air	Double	QMS-4007
QMST-5530	QMST-51030	QMST-51530	None	Ex Sen	QMS-4010
QMST-5533	QMST-51033	QMST-51533	Std/Air	Ex Sen	QMS-4010

SPECIFICATION CHART

Maximum Working Pressure	110 PSI
Tank Shell	304 Stainless Steel, 13 gauge (.0897 in.) thick
Tank Lid	304 Stainless Steel, 3/16 in. thick
Agitator Shaft	303 Stainless Steel
Fluid Tube	316 Stainless Steel, 3/8 in. pipe
Fluid Valve, Outlet	316 Stainless Steel, 3/8-18 NPSM outlet
Air Manifold	CRS - zinc plated
Shaft Seal	Engineered Teflon, Stainless Steel
Agitator Paddles	Nylon
Fluid Outlet	316 Stainless Steel
Bottom Outlet (Optional Kit)	304 Stainless Steel, 3/4 in. NPSM outlet

DIMENSIONS

TANK SIZE	INSIDE DIAMETER (Inches)	INSIDE HEIGHT AT CENTER (Inches)	OVERALL HEIGHT (Inches)	OVERALL WIDTH (Inches)	WEIGHT (Pounds)
5 Gallon	14	16	20-5/16	18-1/2	50
10 Gallon	14	19-1/16	23-3/8	18-1/2	54.5
15 Gallon	14	29-1/16	33-3/8	18-1/2	67.0

WARNING

Static electricity is created by the flow of fluid through the pressure tank and hose. If all parts are not properly grounded, sparking may occur. Sparks can ignite vapors from solvents and the fluid being sprayed.

If static sparking, or slight shock, is experienced while using this equipment, stop spraying immediately.

Ground the pressure tank by connecting one end of a 12 gauge minimum ground wire to the pressure tank and the other end to a true earth ground. Local codes may have additional grounding requirements.

CAUTION

If using an air quick disconnect (Q.D.) at the inlet to the regulator at the pressure tank, do not disconnect the Q.D. while the tank is pressurized, unless the ball valve is closed. Doing so will allow tank pressure to quickly

relieve, and can potentially pull paint back through the air regulator and air motor depending upon the liquid level in the tank. Tank pressure should always be relieved by opening the pet cock (relief valve) or pulling the safety valve ring.

NOTE

(For non-direct drive models)

A tank with agitator assembly is shipped with the curved edge of the paddle down. When a steel insert container is used it is necessary to turn the bottom paddle upside down so that the flat side is down. In either position, the correct adjustment on the paddle position is with the end of the paddle hub flush with end of the shaft. This mounting should give 1/2 inch clearance between the edge of the paddle and the insert container.

WARNING

Pressure Relief Procedure

High pressure can cause a serious injury. Pressure is maintained in a pressure tank after the system has been shut down. Before attempting removal of fill plug or cover, pressure must be relieved using the following steps:

1. Turn off the main air supply to the tank.
2. Close air inlet valve located on tank air manifold.
3. Bleed off air in the tank by turning the air relief valve thumb screw counterclockwise. Wait until all the air has escaped through the valve before removing the pressure tank cover or fill plug.
4. Leave the air relief valve open until you have reinstalled the cover or fill plug.

Mix and prepare material to be used according to manufacturer's instructions. Strain material through a fine mesh screen to remove lumps, skin, and foreign matter that might enter and clog fluid passages and/or spray equipment.

1. Follow pressure relief procedures above.
2. To add material to tank, remove lid and pour directly into the tank or container.

NOTE

If desired, a U.S. or metric 5 gallon pail of fluid can be placed directly into the tank.

3. Replace the lid assembly and tighten thumb screws (6) securely.
4. The air supply to the tank should be filtered to remove dirt, water and oil (see Clean Air™ under Accessories, page 8). Connect the air supply line to the tank inlet valve.
5. Connect the material hose to fluid outlet ball valve (16).

USING BOTTOM OUTLET PORT

The pressure tank has a 1 inch NPT drain port in the bottom of the tank. Bottom outlet kits may be connected into the drain port. Use bottom outlet feature when top outlet is not desirable. Direct bottom outlet piping to either one of two holes located in tank skirt. A dolly to raise the tank off the floor is not required.

OPERATION

1. Close air inlet valve to tank. Turn handle on regulator counterclockwise until spring tension is relieved.
2. Turn on air supply to tank.

3. Open air inlet valve to tank.
4. Open fluid outlet valve.
5. Turn handle on tank pressure regulator clockwise to pressurize tank. Clockwise increases material pressure; counterclockwise will decrease material pressure. If the pressure tank has no regulator, adjust pressure at the source.
6. Turn on atomization air to spray gun at source of supply.
7. Test spray. For further instructions, see spray gun service bulletin SB-2-001.

NOTE

If tank has a hand agitator, agitate material periodically by turning crank slowly clockwise.

If an air motor drive is used, start the agitator by slowly opening the needle valve. Air motor speed should be regulated according to the nature of the material being agitated. The agitator should be running continuously while using the tank.

PREVENTIVE MAINTENANCE

To clean equipment, proceed as follows:

1. Turn off the air supply.
2. Follow pressure relief procedure on page 3.
3. Turn T-handle adjusting screw on tank fluid regulator counterclockwise until no spring pressure is felt.

4. Loosen thumb screws (6), tip clamps (7) back, and tip lid (15) to one side of tank. Do not remove lid from tank.
5. Loosen spray gun air cap retaining ring about three turns.
6. Turn on air supply.
7. Cup cloth over air cap on the gun and pull trigger. This will force material back through the hose, into the tank.
8. Empty and clean tank and parts that come into contact with material. Use a solvent compatible with material being used.
9. Pour solvent into tank.
10. Replace lid and tighten thumb screws and clamps.
11. Spray until clean solvent appears.
12. Repeat steps 4 through 8.

LUBRICATION

Refer to the service manual provided with the air motor for lubrication information.

The bearings in the agitator bearing assembly are impregnated with a special non-gumming oil. Therefore, additional lubrication is not required.

The agitator shaft seal does not require lubrication.

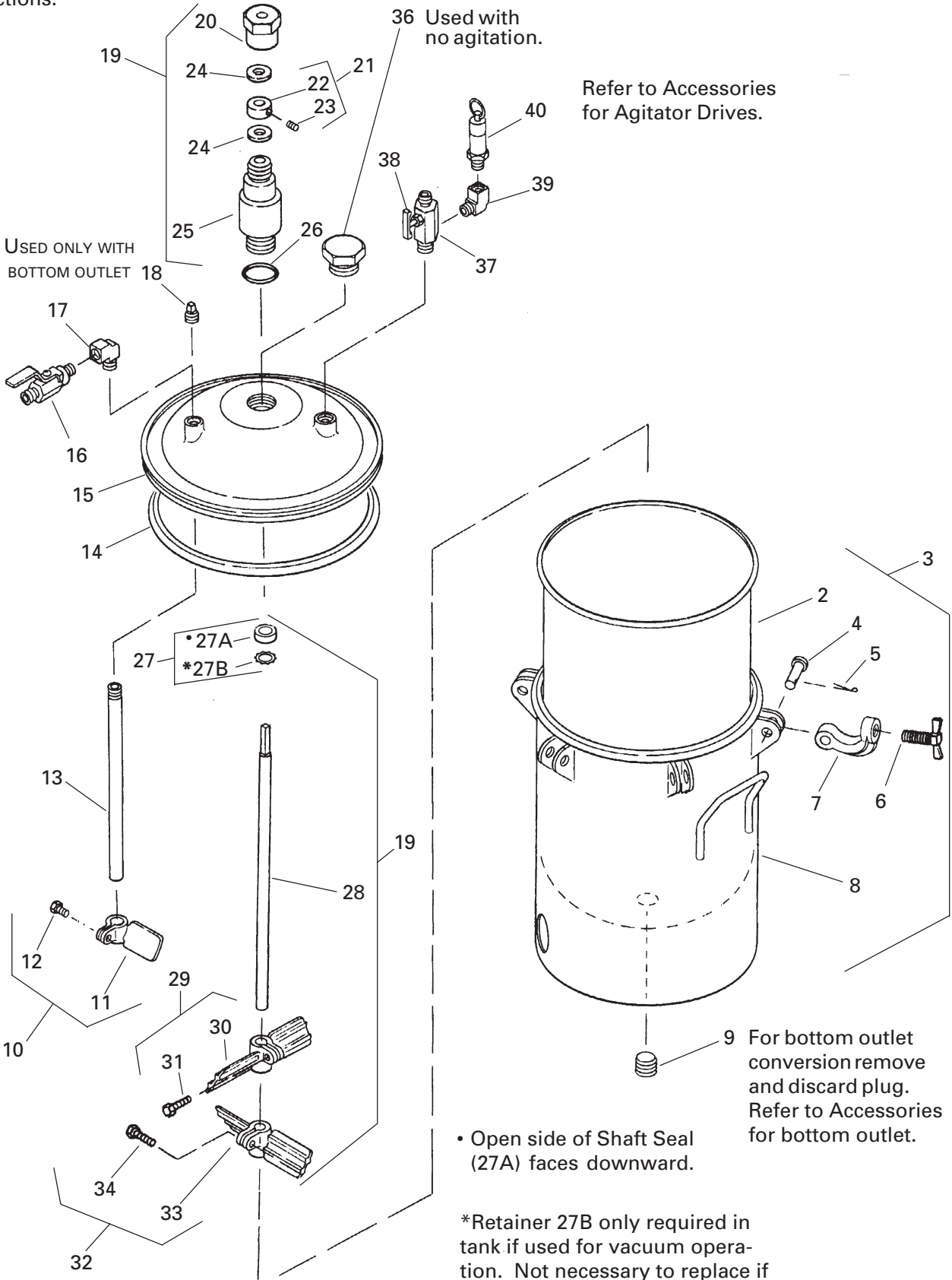
SERVICE CHECKS

CONDITION	CAUSE	CORRECTION
A. Air escaping from port on regulator cap.	1. Broken or damaged diaphragm.	1. Replace diaphragm.
B. Pressure creepage registered on gauge.	1. Dirty or worn valve seat in regulator.	1. Clean or replace valve seat.
C. Material tends to settle out rapidly.	1. Not enough agitation of material.	1. Increase agitation.
D. Air leakage at agitator seal.	1. Defective seal assembly.	1. Replace.
E. Paint getting into bearing assembly of agitator.	1. Paint level in tank too high. 2. Defective agitator shaft seal.	1. Do not fill tank above agitator bearing assembly. 2. Replace.
F. Fluid or air leak at lid gasket.	1. Thumb screw not tight. 2. Defective lid gasket.	1. Tighten. 2. Replace.
G. Air mixing with paint.	1. Fluid tube not sealed to lid. 2. Excessive agitation.	1. Tighten fluid tube into lid. 2. Reduce speed of agitator.

NOTE: Occasionally check pressure gauge. The needle should return to zero with no pressure on the gauge.

NOTE
Use a Teflon based sealant on all air/fluid connections.

**5,10,15 Gallon Stainless Steel Tanks
Exploded View**



• Open side of Shaft Seal (27A) faces downward.

*Retainer 27B only required in tank if used for vacuum operation. Not necessary to replace if tank is used for pressure only.

PARTS LIST FOR STAINLESS STEEL 5, 10, 15 GALLON TANKS

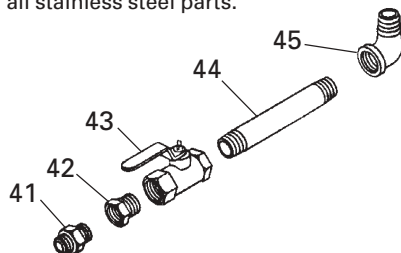
REF NO.	DESCRIPTION	5 GALLON	10 GALLON	15 GALLON	INDIVIDUAL PARTS REQ.
1	---		Not Used		
2	Disposable Tank Liner	PTL-406-K20	PTL-410-K8	PT-415-K10	1
3	Tank Assembly (includes items 4 through 9)	QMS-440	QMS-441	QMS-442	1
+4	Clevis Pin	---	---	---	6
*+5	Cotter Pin (1/8 diameter x 1 in. long)	---	---	---	6
+6	Thumb Screw	QM-1352	QM-1352	QM-1352	6
+7	Clamp	---	---	---	6
8	Tank, Stainless Steel	---	---	---	1
9	Plug	---	---	---	1
10	Stationary Paddle Kit (includes items 11 and 12)	---	QMS-445	QMS-445	1
11	Stationary Paddle	---	---	---	1
*12	Hex Socket Head Cap Screw (5/16-18 x 1-1/4, Stainless Steel)	---	---	---	1
13	Fluid Tube (3/8-18 NPT)	QMS-10-1	QMS-11-1	QMS-12-1	1
14	Lid Gasket, Santoprene	QM-1458-1	QM-1458-1	QM-1458-1	1
15	Tank Lid, Stainless Steel	QMS-417	QMS-417	QMS-417	1
16	Ball Valve, 316 Stainless Steel	VA-527	VA-527	VA-527	1
17	90° St. Elbow (3/8 x 18 NPT Stainless Steel)	SSP-1939	SSP-1939	SSP-1939	1
*18	Plug (3/8-18 NPT Stainless Steel)	---	---	---	1
19	Agitator Assembly (includes items 20 through 34)	QMS-432	QMS-433	QMS-434	1
20	Retaining Nut	QMS-46	QMS-46	QMS-46	1
21	Thrust Collar Kit (includes items 22 and 23)	QMS-447	QMS-447	QMS-447	1
22	Thrust Collar	---	---	---	1
*23	Set Screw (5/16-18 x 3/8)	---	---	---	1
24	Thrust Washer Kit (includes 2 washers)	KK-5049	KK-5049	KK-5049	2
25	Bearing Assembly	QMS-407	QMS-407	QMS-407	1
26	O-Ring (Kit of 2)	SSG-8184-K2	SSG-8184-K2	SSG-8184-K2	1
27	Shaft Seal Kit	KK-5042	KK-5042	KK-5042	1
27A	Shaft Seal	---	---	---	1
27B	Retainer	---	---	---	1
28	Agitator Shaft (5/8" Diameter)	QMS-6	QMS-7	QMS-8	1
29	Agitator Paddle Kit (includes items 30 and 31), nylon	---	---	QMS-444	1
30	Agitator Paddle	---	---	---	1
*31	Hex Socket Head Cap Screw (5/16-18 x 1-1/4, Stainless Steel)	---	---	---	1
32	Agitator Paddle Kit (includes items 33 and 34), Nylon	QMS-444	QMS-444	QMS-444	1
33	Agitator Paddle	---	---	---	1
*34	Hex Socket Head Cap Screw (5/16-18 x 1-1/4, Stainless Steel)	---	---	---	1
35	Not Used	---	---	---	
36	Plug	QMS-3	QMS-3	QMS-3	1
37	Air Manifold	QMG-21	QMG-21	QMG-21	1
38	Drain Valve	SS-2705	SS-2705	SS-2705	1
*39	Street Elbow (1/4"-18 NPT Brass)	---	---	---	1
40	Safety Valve Assembly, 110 PSI	TIA-5110	TIA-5110	TIA-5110	1
	Safety Valve Assembly, 40 PSI (for tanks with extra sensitive regulation)	TIA-5040	TIA-5040	TIA-5040	1

• Purchase locally.
 + KK-5014 Clamp, Pin and Screw Kit includes 1 each of Items 4, 5, 6 & 7.

ACCESSORIES

QMS-443 BOTTOM OUTLET CONVERSION KIT

Fittings that allow standard top outlet tank to feed from bottom by removing plug in bottom port. Kit includes stainless steel shutoff valve and all stainless steel parts.

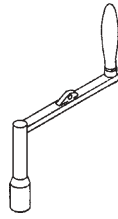


Ref. No.	Replacement Part No.	Description	Qty.
41	----	Adapter, 3/4" NPT to 3/4-14 NPS(M)	1
42	----	Reducer Bushing, 3/4 to 1" s.s.	1
43	----	Ball Valve, 1 x 1 NPT(f) s.s. 150 PSI	1
44	----	Pipe Nipple (1" Stainless Steel)	1
45	----	Street Elbow (1" Stainless Steel)	1

ACCESSORIES (CONTINUED)

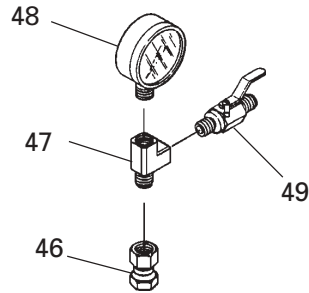
QM-142 HAND CRANK

Mounts on agitator shaft to provide manual agitation of materials in tank.



QMS-4003 NO REGULATION KIT

Use when fluid pressure in tank is regulated by some other separate controls. Kit includes air shutoff valve, gauge to read fluid pressure in tank, and fittings.

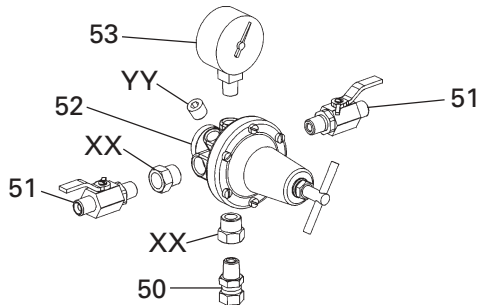


Ref No.	Replacement Part No.	Description	Qty
•46	SSP-35-CD	Swivel Coupling	1
•47	----	Street Tee (1/4")	1
48	83-1290	Gauge 150 lb	1
49	VA-542	Valve	1

• Purchase locally.

QMS-4006 SINGLE REGULATOR KIT (STANDARD)

Provides standard fluid pressure control only. For use when atomization air is controlled by a separate filter-regulator. Kit includes pressure regulator with gauge, inlet and outlet shutoff valves, and connection fittings. Refer to 77-2781 for regulator service parts.

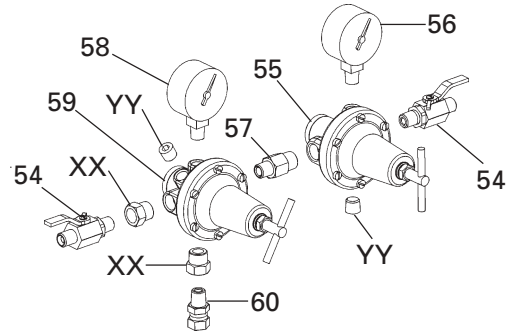


Ref No.	Replacement Part No.	Description	Qty.
50	SSP-8217-ZN	Swivel Adapter	1
51	VA-542	Valve	2
52	HAR-511	Regulator	1
53	83-1290	Gauge 150 lbs.	1
•XX	----	Bushing 3/8 NPT(m) x 1/4 NPT(f) (Supplied/Regulator)	2
•YY	----	Pipe Plug 1/4 NPT (Supplied/Reg)	1

• Purchase locally.

QMS-4007 DUAL REGULATOR KIT (STANDARD)

Provides independent controls for fluid pressure in tank and atomization air pressure. Kit includes two regulators with gauges, inlet and outlet shutoff valves, and connection fittings. Refer to SBBI-6-147 and 77-2781 for regulator service parts.

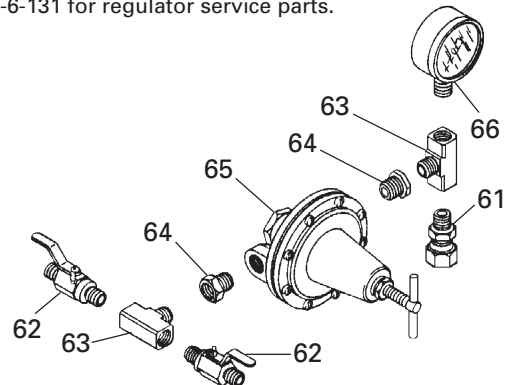


Ref No.	Replacement Part No.	Description	Qty.
54	VA-542	Valve	2
55	HAR-507	Regulator (Painted)	1
56	83-1355	Gauge, 100 lbs.	1
57	83-4233	D.M. Nipple 1/4 x 3/8 Universal Pipe Threads	1
58	83-1290	Gauge, 150 lbs.	1
59	HAR-511	Regulator	1
60	SSP-8217-ZN	Swivel Adapter	1
•XX	----	Bushing 3/8 NPT(m) x 1/4 NPT(f) (Supplied/Regulator)	2
•YY	----	Pipe Plug 1/4 NPT (Supplied/Reg)	2

• Purchase locally.

QMS-4010 EXTRA SENSITIVE REGULATOR KIT

Use with electrostatic spray or other applications requiring extremely sensitive nonfluctuating low pressure control. Kit includes one extra sensitive gauge, one extra sensitive regulator, inlet and outlet shutoff valves, and connection fittings. Refer to SB-6-131 for regulator service parts.



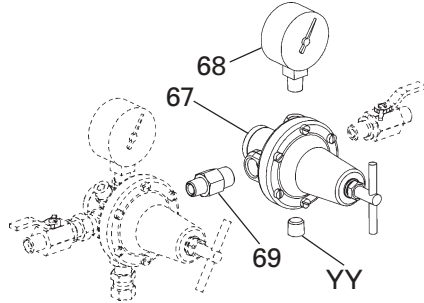
Ref No.	Replacement Part No.	Description	Qty.
61	SSP-8217-ZN	Swivel Adapter	1
62	VA-542	Valve	2
63	SSP-2629-ZN	Tee Male Branch	2
•64	----	Hex Reducer Bushing (3/8 x 1/4 Galvanized)	2
65	HAR-501	Extra Sensitive Regulator	1
66	83-1414	Gauge 30 lb.	1

• Purchase locally.

ACCESSORIES (CONTINUED)

QMS-436 CONVERSION TO DOUBLE REGULATOR ASSEMBLY KIT

Adapts to tanks equipped with single regulator to provide independent pressure control of atomization air and fluid pressure. Converts QMS-4006 single regulator to a QMS-4007 dual regulator. Refer to SBBI-6-147 for regulator service parts.

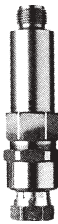


Ref No.	Replacement Part No.	Description	Qty.
67	HAR-507	Regulator	1
68	83-1355	Gauge, 100 lbs.	1
69	83-4233	D.M. Nipple 1/4 x 3/8 Universal Pipe Thds.	1
•YY	----	Pipe Plug 1/4 NPT (Supplied/Regulator)	1

• Purchase locally.

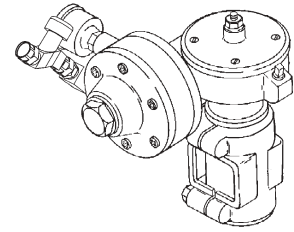
VS-534 FLUID STRAINER

Primary fluid strainer that attaches between fluid outlet valve and fluid hose to strain material. Components made of stainless steel with nylon filter. Comes standard with 100-mesh screen. For more information see SB-7-072.



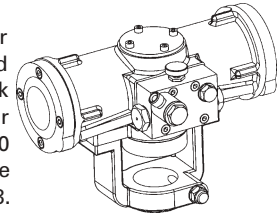
QS-5012 Air Motor Drive

Standard duty 1/4 hp agitator drive with 15:1 gear reduction. Operates from 20 to 120 rpm. Mounts on agitator shaft. Includes throttling valve, fittings, and hose for connection to air supply on tank lid. For further information see SB-19-087.



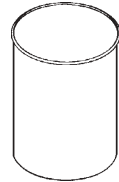
31-360 Reciprocating Air Motor Drive

Low air consumption motor mounts easily on tanks equipped for material agitation. Slow back and forth motion ensures proper agitation. Operates at 10 to 30 cycles per minute. For more information see part Sheet 77-2788.



DISPOSABLE TANK LINERS

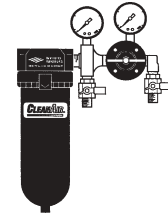
Molded polyethylene tank liners to reduce solvent waste and tank cleanup time. The liner is made of tough, durable, leakproof polyethylene and can be used with all compatible materials.



- PTL-406-K20 Kit of 20 tank liners for 5 gal.
- PTL-410-K8 Kit of 8 tank liners for 10 gal.
- PTL-415-K10 Kit of 10 tank liners for 15 gal.

HFRL-508, HFRL-509 CLEAN AIR™ CONTROL UNITS

These units are designed to remove dirt, pipe scale and most liquid aerosol. Includes an automatic drain which expels liquids which accumulate in the filter bowl.



WARRANTY

This product is covered by DeVilbiss' 1 Year Limited Warranty. See SB-1-000 which is available upon request.

DeVILBISS WORLDWIDE SALES AND SERVICE LISTING - www.devilbiss.com INDUSTRIAL FINISHING

DeVilbiss has authorized distributors throughout the world. **FOR TECHNICAL ASSISTANCE OR THE DISTRIBUTOR NEAREST YOU, CALL TOLL FREE 1-888-992-4657 (U.S.A. AND CANADA ONLY). FOR LOCAL CALLS, SEE LISTING BELOW.**

U.S./Canada Sales and Customer Service Office
GLENDALE HEIGHTS, IL 60139

Address
195 Internationale Blvd.

Telephone No.
(630) 237-5000
Toll Free Fax No. 1-877-790-6965

