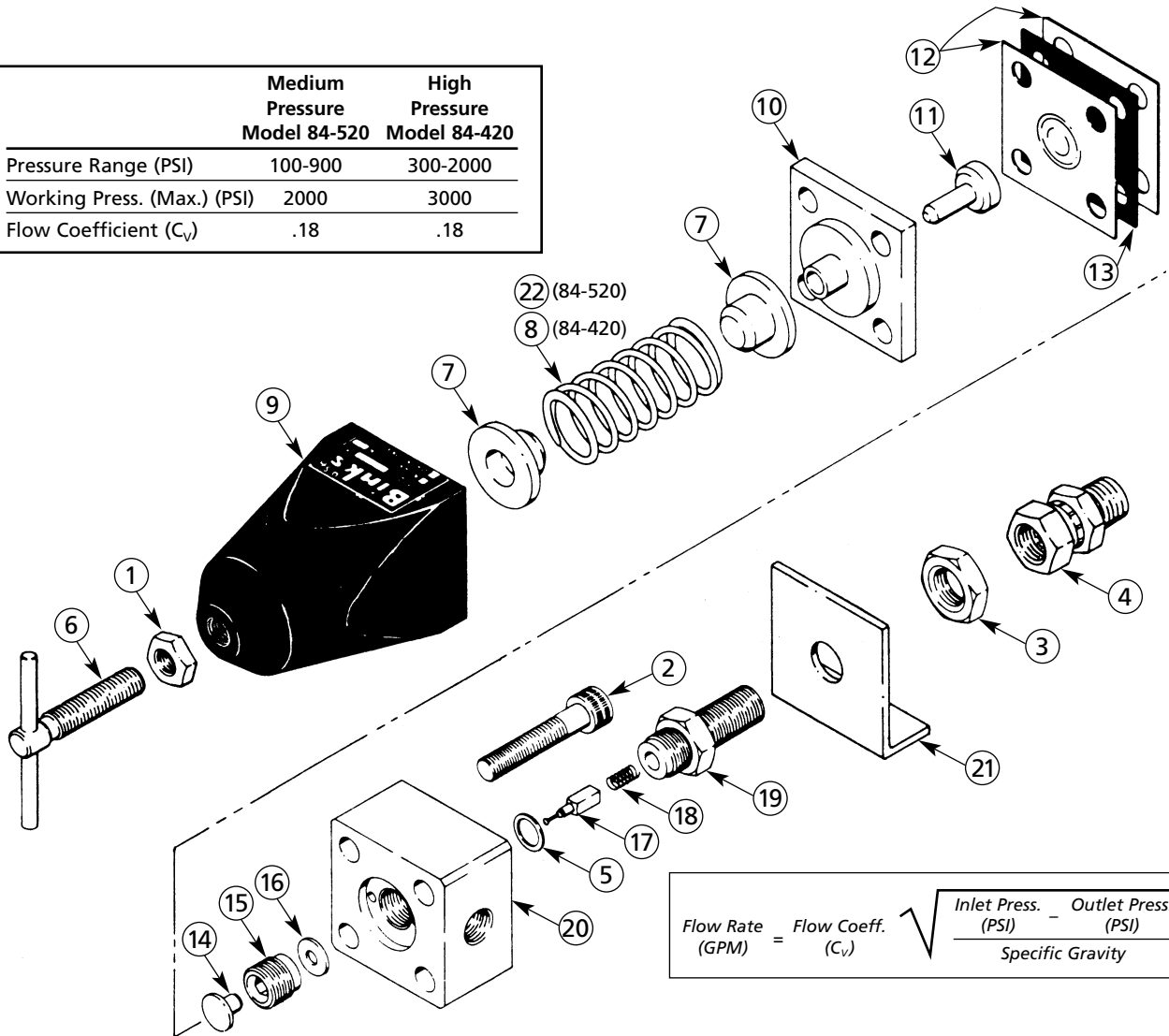




Binks Models 84-420 & 84-520 FLUID PRESSURE REGULATORS

	Medium Pressure Model 84-520	High Pressure Model 84-420
Pressure Range (PSI)	100-900	300-2000
Working Press. (Max.) (PSI)	2000	3000
Flow Coefficient (C _v)	.18	.18



$$\text{Flow Rate (GPM)} = \frac{\text{Flow Coeff. (C}_v\text{)}}{\sqrt{\frac{\text{Inlet Press. (PSI)} - \text{Outlet Press. (PSI)}}{\text{Specific Gravity}}}}$$

PARTS LIST

When ordering, please specify Part No.

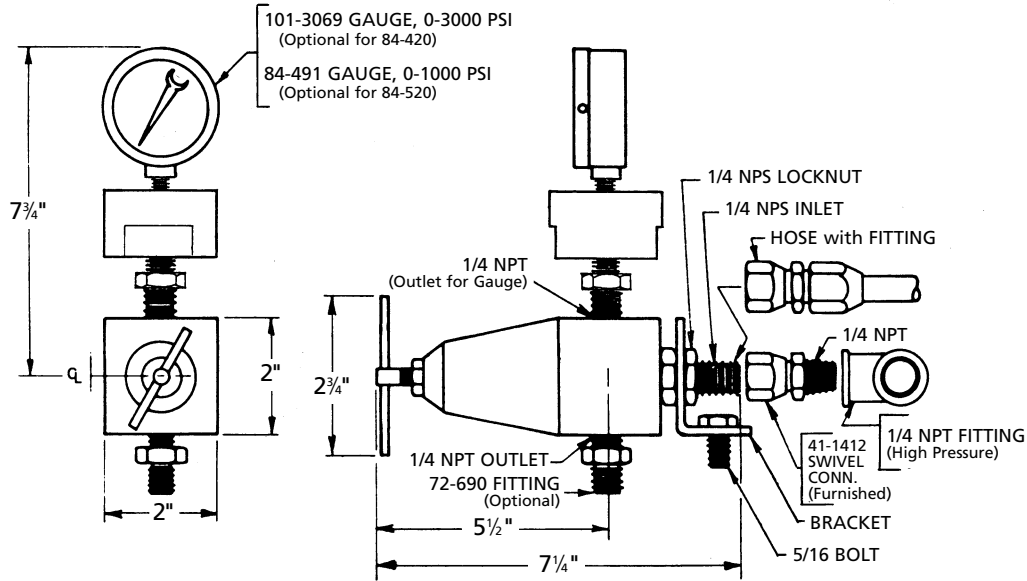
ITEM NO.	PART NO.	DESCRIPTION	QTY.	ITEM NO.	PART NO.	DESCRIPTION	QTY.
1	20-619	NUT, 3/8-16 JAM	1	12	84-429▲	DIAPHRAGM	2
2	20-2289	SCREW, 5/16-18 x 1-3/4.....	4	13	84-430▲	DIAPHRAGM	1
3	20-4457	LOCKNUT, 1/4 NPS	1	14	84-432	PIN	1
4	41-1412	SWIVEL FITTING	1	15	84-435	SEAT	1
5	54-1468▲	GASKET	1	16	84-436▲	GASKET	1
6	84-423	HANDLE	1	17	84-440	VALVE.....	1
7	84-424	BUTTON	2	18	84-441▲	SPRING	1
8	84-425*▲	SPRING, (84-420 ASSEMBLY)	1	19	84-442	INLET	1
9	84-426	BONNET	1	20	84-443	BODY	1
10	84-427	FLANGE	1	21	84-466	BRACKET	1
11	84-428	PISTON	1	22	84-503*▲	SPRING, (84-520 ASSEMBLY)	1

* Numbers in parenthesis indicate model with which spring is used.

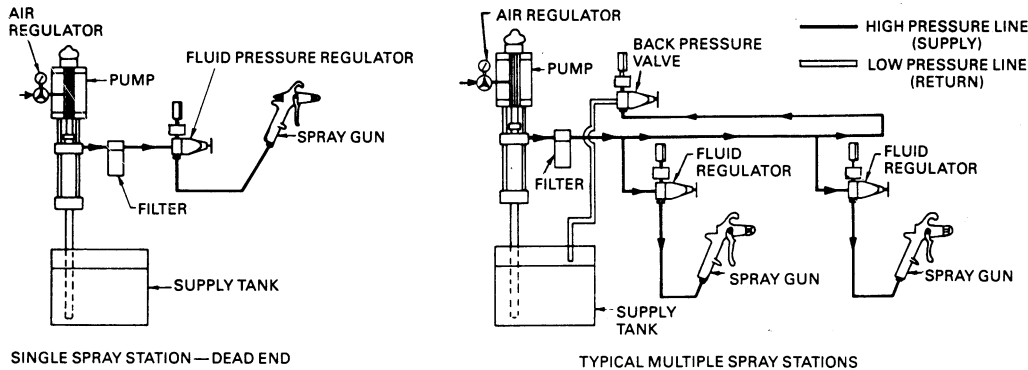
▲ Indicates parts included in 6-1306 Repair Kit.

Replaces Part Sheet 1908R-2 | Part Sheet 1908R-3

84-420 HIGH PRESSURE FLUID PRESSURE REGULATOR



HOOK-UP DIAGRAM



TYPICAL INSTALLATIONS

84-420 High Pressure Fluid Pressure Regulator

1. Regulator can be mounted in any position.
2. Regulator is bracket-mounted, and pipe- or hose-connected.
3. Use 1/4" N.P.T. high pressure fittings for installation.
4. One spray gun per regulator is recommended.
5. If using pressure gauge, install as illustrated.

OPERATION

1. Regulator controls pressure downstream.
 2. To increase pressure, turn knob clockwise.
 3. To decrease pressure, turn knob counter-clockwise.
- If using pressure gauge, partially relieve pressure in gun hose when reducing regulator pressure, so correct pressure will show on gauge.

TROUBLESHOOTING

PROBLEM

1. Climbing regulator; does not hold set regulated pressure.
2. Excessive pressure drop.
3. Leaking at adjustment knob.

REMEDY

1. Clean (or replace) valve and seat.
2. Check supply or inlet pressure.
3. Replace diaphragms.

Sales and Service Through a Nationwide Network of Industrial Distributors.

Customer Service in USA / 1-800-992-4657

Technical Support in USA / 1-888-992-4657



195 Internationale Blvd.
Glendale Heights, IL 60139

1908R-3 Revisions: Updated graphic standards; (P1) Added footnote regarding 6-1306 Repair Kit; (P2) Added PSI ranges to gauges.

Part Sheet 1908R-3 Printed in USA 4/02, All Rights Reserved