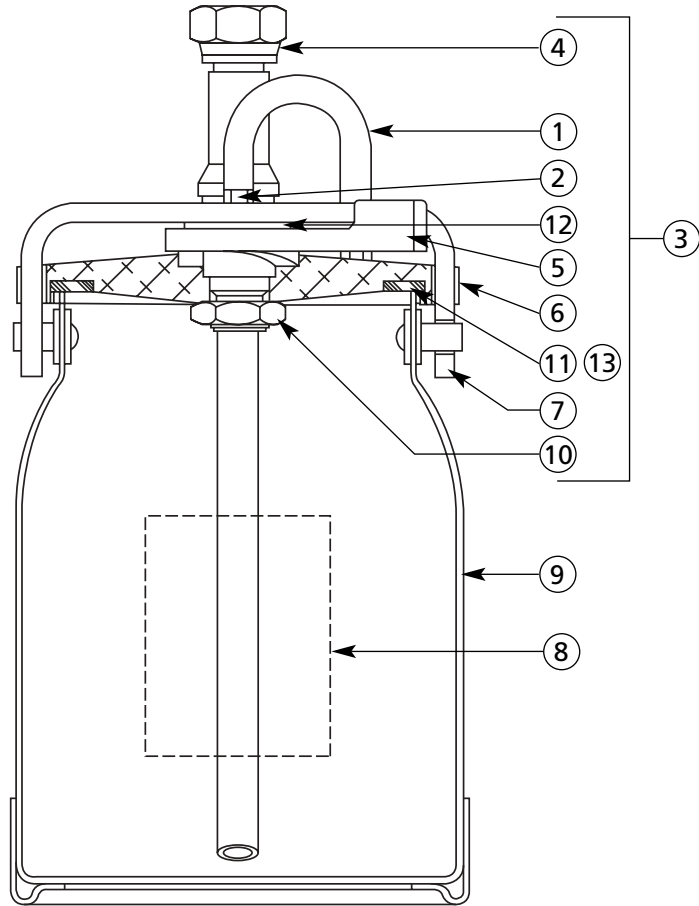




Binks MODEL 81-350 DRIP-PROOF QUART SIPHON CUP AND ATTACHMENTS

3/8 NPS THREAD SWIVEL NUT



NOTE
Keep tube and tube connectors clean of paint. Accumulation of paint in the tube or connectors can plug them and prevent the siphon action.

PARTS LIST

When ordering, please specify Part No.

ITEM NO.	PART NO.	DESCRIPTION	QTY.	ITEM NO.	PART NO.	DESCRIPTION	QTY.
1	81-304	TUBE (One Spare)	2	8	81-358	DECAL	1
2	81-307	CONNECTOR	2	9	82-47	ONE QUART CUP (Aluminum)	1
3	81-351	COVER ASSEMBLY	1	10	82-55	NUT	1
4	81-352	CENTER POST	1	11	82-56*	TRI-SEAL FOAM GASKET (Optional)	
5	81-354	LEVER	1	12	82-368	WASHER.....	1
6	81-355	COVER	1	13	82-467•	LEATHER GASKET	1
7	81-356	YOKE	1				

* Optional 82-56 tri-Seal Foam Gasket.
• Furnished as standard

Sales and Service Through a Nationwide Network of Industrial Distributors.

Customer Service in USA / 1-800-992-4657
Technical Support in USA / 1-888-992-4657

Model 81-350 "Drip-Proof" Patent No. 4,174,000

2250R-3 Revisions: Changed 82-56 to Tri-Seal Foam Gasket.



195 Internationale Blvd.
Glendale Heights, IL 60139

Printed in USA 2/02, All Rights Reserved

Replaces Part Sheet 2250R-3	Part Sheet 2250R-4
-----------------------------------	--------------------------