



First choice when  
quality counts.

# Viscount® II 1000 Hydraulic-Powered Pump

- **Pressure up to 1000 psi (7 MPa, 70 bar) with input pressures up to 1500 psi (10.5 MPa, 105 bar)**
- **Energy-efficient - uses 1/3 the power to operate as compared to compressed air-powered systems**
- **Quiet, clean operation with no airborne contamination**
- **No down-time due to ice build-up**
- **Long life and low maintenance costs**

**For durability,  
and power  
under tough  
working  
conditions**

A hydraulic-powered pump for high volume transfer and supply of low viscosity fluids to single or multiple outlets. This pump develops pressures up to 1000 psi (7 MPa, 70 bar) and flows to 17 gpm (64 lpm) at 60 cpm.

#### **Typical Fluids Handled**

- Paints
- Stains and lacquers
- Lubricating oils

#### **Typical Applications**

- Wood finishing operations with stains and lacquers
- Line striping trucks
- Lubrication trucks
- Bulk transfer

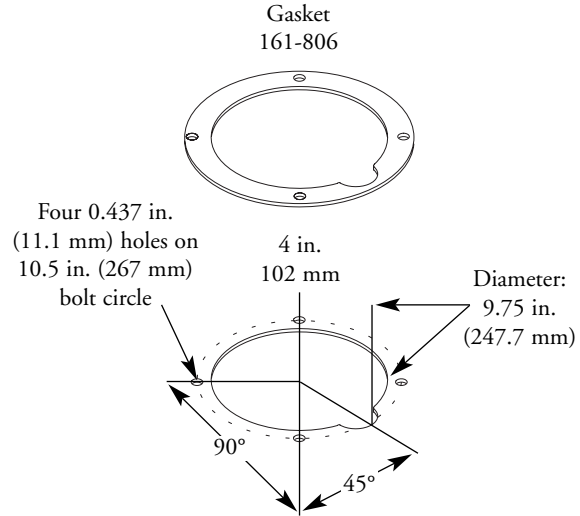


COMPONENTS

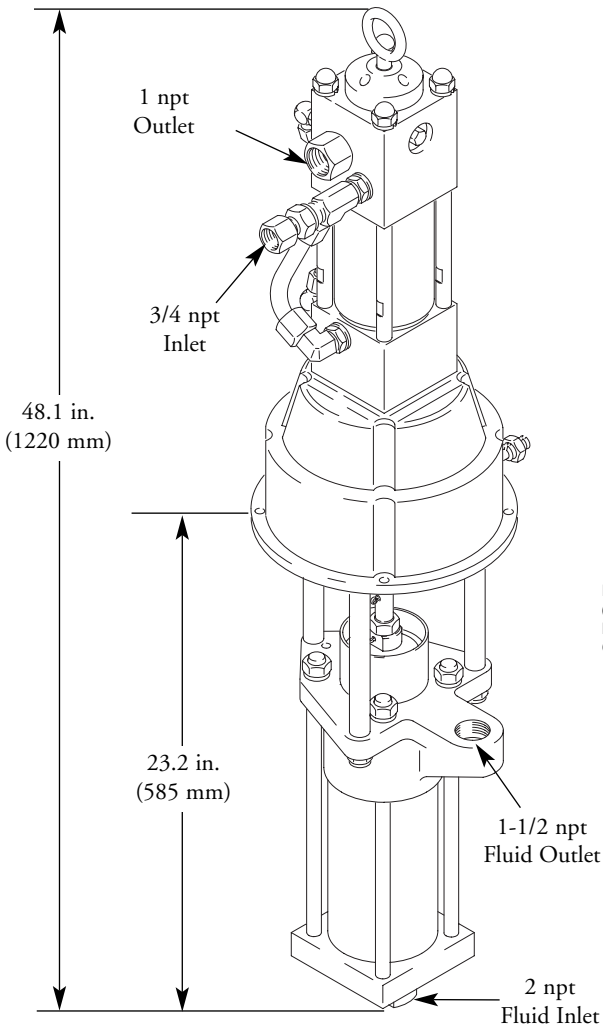
# Technical Specifications

- Max. fluid output pressure . . . . . 1000 psi (7 MPa, 70 bar)
- Max hydraulic input pressure . . . 1500 psi (10.5 MPa, 105 bar)
- Fluid flow at 50 cpm . . . . . 15 gpm (64 lpm)
- Oil flow at 50 cpm . . . . . 11 gpm (45 lpm)
- Hydraulic motor inlet . . . . . 3/4 npt(f)
- Hydraulic motor outlet . . . . . 1 npt(f)
- Pump fluid inlet . . . . . 2 npt(f)
- Pump fluid outlet . . . . . 1-1/2 npt(f)
- Instruction manual . . . . . 307-160

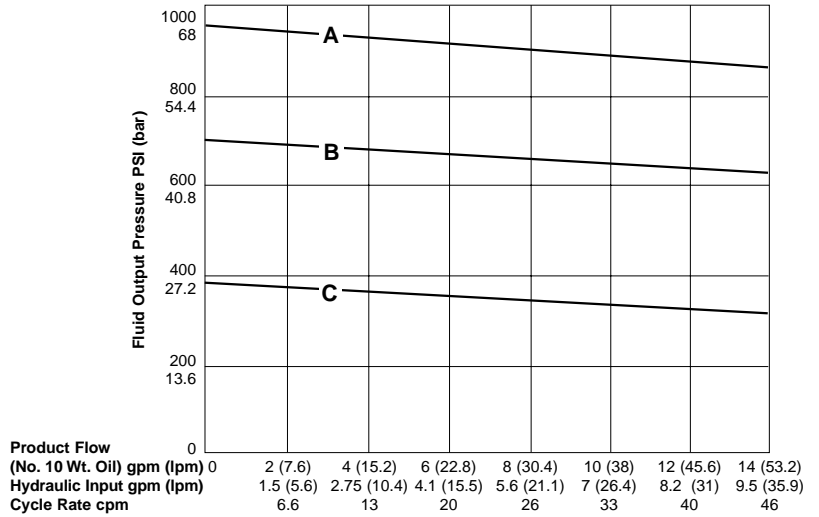
# Mounting Hole Layout



# Dimensions



# Performance Chart for Viscount II 1000



Air Pressure:  
 A = 1500 psi (10.5 MPa, 105 bar)  
 B = 1050 psi (7.14 MPa, 71.4 bar)  
 C = 600 psi (4.1 MPa, 41 bar)  
 Performance tested in no. 10 weight motor oil 65 cp at 68° F (20° C)

# Ordering Information for Viscount II 1000

**Order number includes motor and pump lower assembly**

<b>Order Nos.</b>	<b>210-313</b>
<b>Pump Lower</b>	
Part No.	210-208
Construction	CS
Standard Seal Repair Kit	223-439
Construction	UHMWPE/Leather
Optional Seal Repair Kit	224-443
Construction	UHMWPE/Teflon*
<b>Motor</b>	
223-654: Repair Kit	

## SERVICE PARTS INFORMATION

<b>Pump Lower Part Nos.</b>	<b>210-208</b>
Displacement Rod	217-478
Construction	CS
Cylinder	181-269
Construction	SST/Severe Duty*
<b>Intake Valve (order separate part numbers)</b>	
Intake Ball	101-718
Ball Guide	161-599
Intake Valve Seat	223-437
<b>Piston Valve (order separate part numbers)</b>	
Piston Ball	101-178
Seat	223-438
Ball Guide	161-599

\*Teflon is a registered trademark of Du Pont.

\*Severe Duty is chrome over SST

# Accessories

## Throat Seal Liquid (TSL)

Non-evaporating liquid for wet-cups

**206-995** 1 qt. (0.95 liter)

**206-996** 1 gal. (3.8 liter)

## Graco-approved Hydraulic Fluid

**169-236** 5 gal. (20 liter)

## Hydraulic Agitator and Drum Cover

**214-906** Drum size: 55 gal. (200 liter)

## 206-221 Wall Mounting Bracket

## Red Alert Filters

Built-in bypass with pop up indicator.

**207-994** includes 30 mesh element

**207-995** includes 60 mesh element

**207-996** includes 100 mesh element

**207-997** includes 150 mesh element

**207-998** includes 200 mesh element

## Viscon2 SST Fluid Heater

Uniform spray viscosity with less added solvent

**220-522** 120 VAC

**220-523** 240 VAC

**220-524** 480 VAC