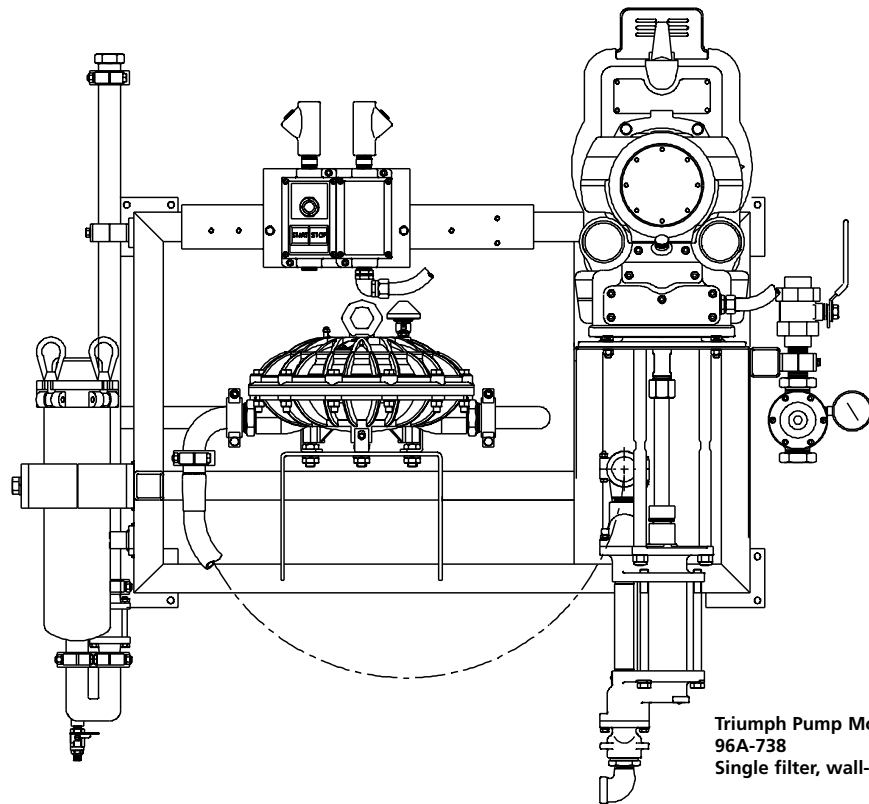


Triumph™ Pump Modules

Heavy Duty, Medium Volume

Electric-powered pump module designed to provide a high energy, efficient solution



Triumph Pump Module
96A-738
Single filter, wall-mount

- **Quiet and clean, no dirty exhaust air, no icing**
- **Designed to efficiently deliver the most abrasive paints**
- **Few moving parts for a long life under extreme conditions**
- **Pre-engineered modules for proven results**
- **One-crate shipping and fast, easy installation**
- **Approved for hazardous locations**

Graco's electric-powered Triumph is a high quality reciprocating pump for automotive and high-end manufacturing paint circulation systems. The Triumph is extremely rugged and built to deliver the most abrasive, high-solids paints with minimal wear and maintenance. Each module is CAD-designed for optimal performance, easy installation and rapid service. These Triumph modules are equipped with Triumph electric-operated pumps – designed with a brushless motor and permanently lubricated drive which requires little maintenance. Efficient electric power also means lower operating costs, quiet operation, and no dirty exhaust air.

These easy-to-install modules can be floor-mounted (individually or back-to-back) or wall-mounted, allowing you to make the most of limited space.

Best of all, the Triumph pump modules are backed by Graco's high-quality service and support.

Technical Specifications

Large Cylinder Modules

120/240 VAC Single-Phase: 96A-736, 96B-142, 96B-136, 96B-148

120 VAC single-phase:

Fluid flow at 25 cpm 8.0 gpm (30.2 lpm)

Maximum fluid outlet pressure 125 psi (0.8 MPa, 8.5 bar)
at 25 cpm and motor torque control setting 10

Volume per cycle 0.40 gal. (1.5 liter)

240 VAC single-phase:

Fluid flow at 25 cpm 8.0 gpm (30.2 lpm)

Maximum fluid outlet pressure 150 psi (1.0 MPa, 10.2 bar)
at 25 cpm and motor torque control setting 10

Volume per cycle 0.40 gal. (1.5 liter)

240/480 VAC Three-Phase: 96A-739, 96B-143, 96B-137, 96B-149

480 VAC three-phase:

Fluid flow at 25 cpm 8.0 gpm (30.2 lpm)

Maximum fluid outlet pressure 150 psi (1.0 MPa, 10.2 bar)
at 25 cpm and motor torque control setting 10

Volume per cycle 0.40 gal. (1.5 liter)

Medium Cylinder Modules

120/240 VAC Single-Phase: 96A-737, 96B-144, 96B-138, 96B-150

120 VAC single-phase:

Fluid flow at 25 cpm 5.75 gpm (21.7 lpm)

Maximum fluid outlet pressure 175 psi (1.2 MPa, 12 bar)
at 25 cpm and motor torque control setting 10

Volume per cycle 0.29 gal. (1.1 liter)

240 VAC single-phase:

Fluid flow at 25 cpm 5.75 gpm (21.7 lpm)

Maximum fluid outlet pressure 210 psi (1.4 MPa, 14.2 bar)
at 25 cpm and motor torque control setting 10

Volume per cycle 0.29 gal. (1.1 liter)

240/480 VAC Three-Phase: 96A-740, 96B-145, 96B-139, 96B-151

480 VAC three-phase:

Fluid flow at 25 cpm 5.75 gpm (21.7 lpm)

Maximum fluid outlet pressure 210 psi (1.4 MPa, 14.2 bar)
at 25 cpm and motor torque control setting 10

Volume per cycle 0.29 gal. (1.1 liter)

Small Cylinder Modules

120/240 VAC Single-Phase: 96A-738, 96B-146, 96B-140, 96B-152

120 VAC single-phase:

Fluid flow at 25 cpm 3.75 gpm (14.1 lpm)

Maximum fluid outlet pressure 225 psi (1.5 MPa, 15.3 bar)
at 25 cpm and motor torque control setting 10

Volume per cycle 0.16 gal. (0.62 liter)

240 VAC single-phase:

Fluid flow at 25 cpm 3.75 gpm (14.1 lpm)

Maximum fluid outlet pressure 300 psi (2.0 MPa, 20.4 bar)
at 25 cpm and motor torque control setting 9

Volume per cycle 0.16 gal. (0.62 liter)

240/480 VAC Three-Phase: 96A-741, 96B-147, 96B-141, 96B-153

480 VAC three-phase:

Fluid flow at 25 cpm 3.75 gpm (14.1 lpm)

Maximum fluid outlet pressure 300 psi (2.0 MPa, 20.4 bar)
at 25 cpm and motor torque control setting 9.5

Volume per cycle 0.16 gal. (0.62 liter)

Technical Specifications (cont'd)

For 120/240 Single-Phase Modules

| | |
|--------------------------------------|-------------|
| Motor Supply Voltage Range | 100-240 VAC |
| Motor Supply Voltage Frequency | 50/60 Hz |

For 240/480 Three-Phase Modules

| | |
|--------------------------------------|-------------|
| Motor Supply Voltage Range | 240-480 VAC |
| Motor Supply Voltage Frequency | 50/60 Hz |

Triumph Motor Information

Ambient temperature range

| |
|--------------------------------|
| -40° to 104° F (-40° to 40° C) |
|--------------------------------|

Maximum operating temperature

| |
|----------------|
| 185° F (85° C) |
|----------------|

(Motor automatically slows down to cool down, then returns to speed)

Maximum current draw

| |
|-------------|
| 15 amps rms |
|-------------|

Power output at 2500 rpm

77°F (25°C) ambient

| |
|-------------------|
| 2.7 HP (2 kW) out |
|-------------------|

104°F (40°C) ambient

| |
|---------------------|
| 1.7 HP (1.3 kW) out |
|---------------------|

Torque

| |
|-------------------------------|
| 8.5 N.m (75 in-lb) continuous |
|-------------------------------|

Triumph Module Information

Module fluid inlet

| |
|----------|
| 1 npt(f) |
|----------|

Module fluid outlet to supply

| |
|----------|
| 1 npt(f) |
|----------|

Module fluid return from supply

| |
|----------|
| 1 npt(f) |
|----------|



Reference Data

for Triumph Electric Bare Pumps

Instruction Manuals

308-255 Electric reciprocator

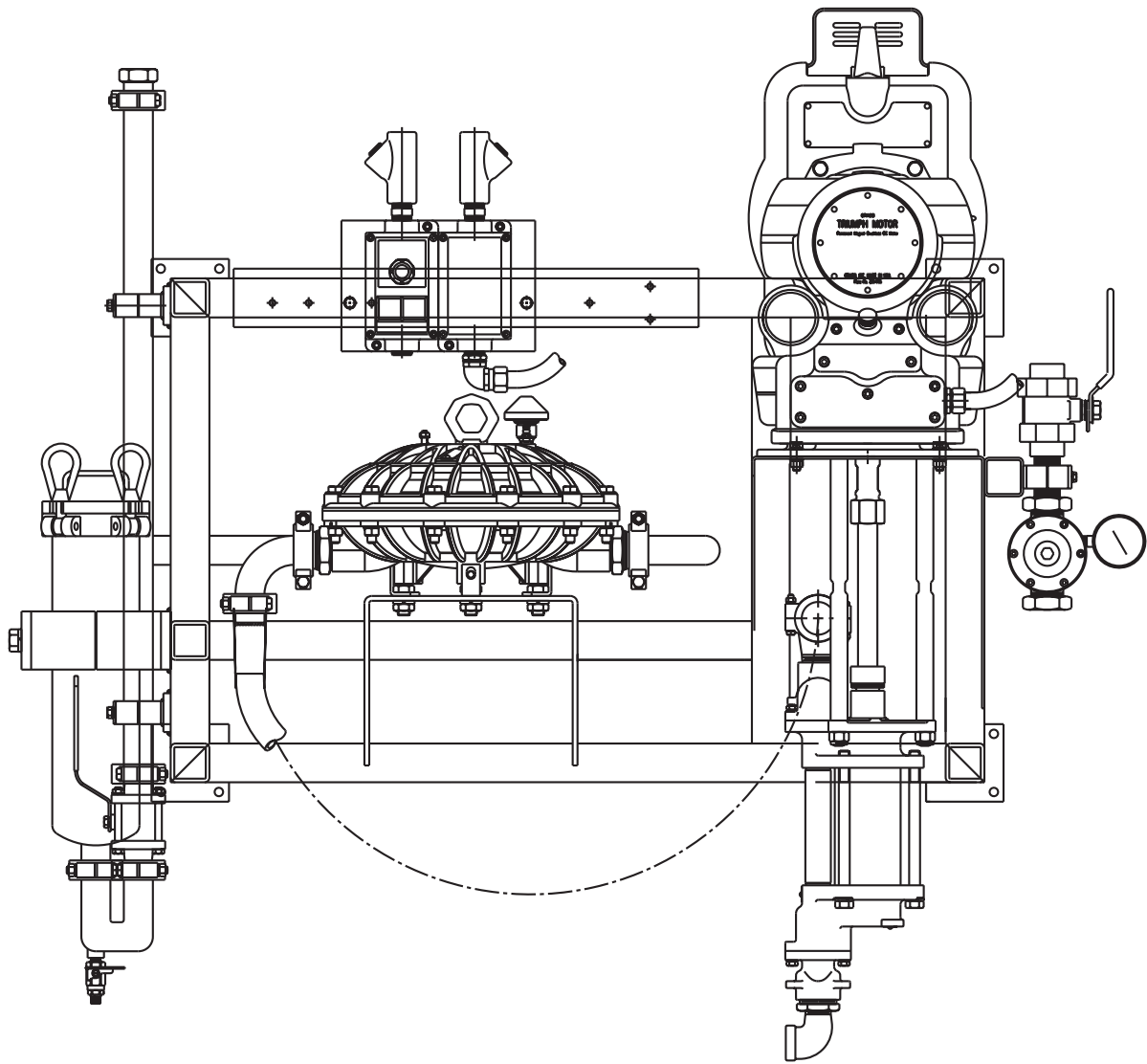
308-254 Triumph motor

308-366 Triumph pumps and connection kits

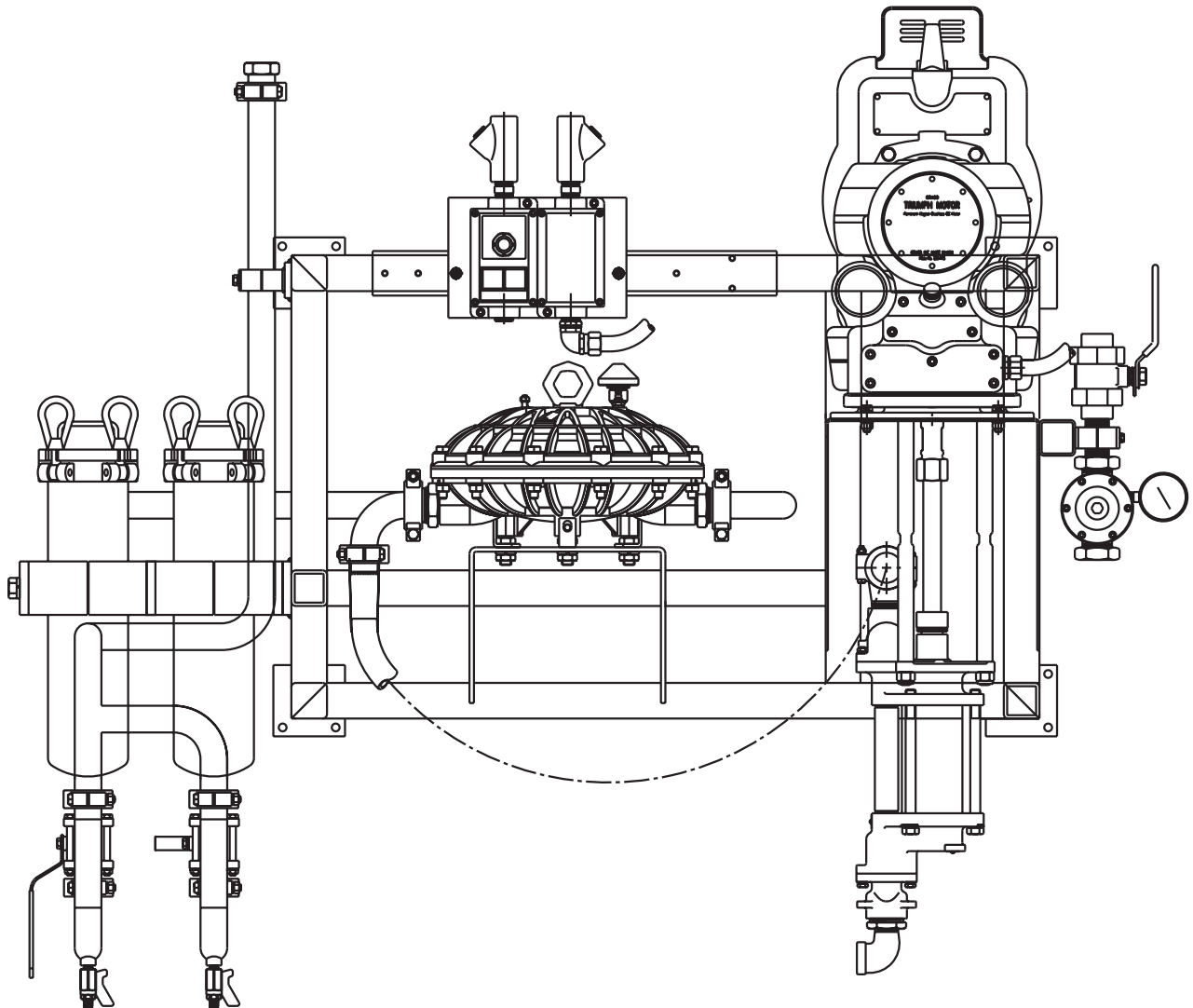
308-793 Pump lowers

Data Sheet

305-621 Triumph pump



**Triumph Pump Module
96A-736
Single filter, wall-mount
(Right Hand)**



**Triumph Pump Module
96B-136
Dual filter, wall-mount
(Right Hand)**

Ordering Information

All Triumph modules are wall-mount, SST.

Single Filter Modules

Large Cylinder Modules

96A-736 Triumph Module, 120/240 VAC (Right Hand)

96B-142 Triumph Module, 120/240 VAC (Left Hand)

96A-739 Triumph Module, 240/480 VAC (Right Hand)

96B-143 Triumph Module, 240/480 VAC (Left Hand)

Medium Cylinder Modules

96A-737 Triumph Module, 120/240 VAC (Right Hand)

96B-144 Triumph Module, 120/240 VAC (Left Hand)

96A-740 Triumph Module, 240/480 VAC (Right Hand)

96B-145 Triumph Module, 240/480 VAC (Left Hand)

Small Cylinder Modules

96A-738 Triumph Module, 120/240 VAC (Right Hand)

96B-146 Triumph Module, 120/240 VAC (Left Hand)

96A-741 Triumph Module, 240/480 VAC (Right Hand)

96B-147 Triumph Module, 240/480 VAC (Left Hand)

Triumph SST Modules are equipped with:

- Triumph electric SST pump
- Model 12 SST bag filter
- sanitary connections
- large volume SST surge suppressor
- return isolation SST ball valves
- back pressure regulator
- on/off electrical-junction, explosion-proof box assembly
- heavy-duty, wall-mount frame

Note: Right Hand indicates the pump is on the right side of the module.
Left Hand indicates the pump is on the left side of the module.

Dual Filter Modules

Large Cylinder Modules

96B-136 Triumph Module, 120/240 VAC (Right Hand)

96B-148 Triumph Module, 120/240 VAC (Left Hand)

96B-137 Triumph Module, 240/480 VAC (Right Hand)

96B-149 Triumph Module, 240/480 VAC (Left Hand)

Medium Cylinder Modules

96B-138 Triumph Module, 120/240 VAC (Right Hand)

96B-150 Triumph Module, 120/240 VAC (Left Hand)

96B-139 Triumph Module, 240/480 VAC (Right Hand)

96B-151 Triumph Module, 240/480 VAC (Left Hand)

Small Cylinder Modules

96B-140 Triumph Module, 120/240 VAC (Right Hand)

96B-152 Triumph Module, 120/240 VAC (Left Hand)

96B-141 Triumph Module, 240/480 VAC (Right Hand)

96B-153 Triumph Module, 240/480 VAC (Left Hand)

Accessories

Floor Stands for Triumph Pump Modules

For mounting pump modules off the floor.

618-122 Single floor stand

618-123 Back-to-back floor stand

917-062 Low Shear Back Pressure Regulator

Minimizes paint degradation and shearing of materials (i.e. mica-filled materials).

51B-716 Return Line Flow Meter

Visual indication of approximate system flows.