

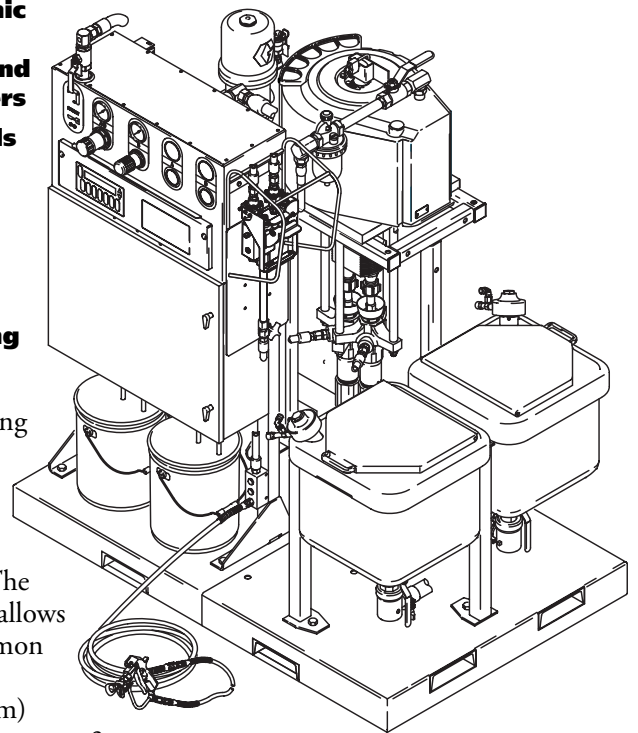


SuperCat™ 1:1 High Pressure Proportioner

PACKAGES

**High Capacity
Proportioner
for Corrosion
Control
Applications**

- **A complete package with fluid hose, whip, and spray gun as one part number**
- **Pressure performance capacity 5000 psi (35 MPa, 345 bar). Fluid flow capability 2gpm+ (7.6 lpm) at 21 cpm**
- **Chrome over stainless steel lower construction for excellent abrasion and corrosion resistance**
- **Stainless steel wetted construction allows you to spray solventborne and waterborne materials**
- **Operator friendly electronic controls provide superior monitoring of mix ratio and other operating parameters**
- **Secured electronic controls allow only authorized access**
- **Equipped with President 46:1 solvent pump**
- **Hoppers can be manually filled or pressure fed using optional pumps**



100% solids materials are becoming more popular as end users focus on VOC compliance. The pressure performance of the SuperCat allows the atomization of these more viscous materials. The 5000 psi (35 MPa, 345 bar) also allows the use of long hose lengths common to many corrosion control applications. The 2+ gpm (7.6 lpm) flow rate performance will support up to 3 guns.

SuperCat's state-of-the-art electronic controls monitor the resin and catalyst components and shut-down the system prior to an off-ratio condition. This control will reduce the off-ratio costs associated with re-work, scrap, missed deliveries, and warranty claims. The system set up parameters for the SuperCat are secured so that only authorized trained personnel have access. The electronics can also report relevant data about the spray application, and can store up to 999 material set up recipes.



Typical Fluids Handled

- Solventborne epoxies
- Waterborne epoxies
- Primers
- Tank linings
- Fire retardants
- Anti-foulants

Typical Applications

- Marine, Shipbuilding,
- Ocean going vessels
- Railcar
- Tank farms
- Refineries
- Oil field tanks
- Chemical storage tanks
- Bridges
- Power plants
- Desalination plants
- Water treatment plants
- Pulp and paper mills
- Secondary containment

Technical Specifications

Maximum fluid pressure* . . . 5000 psi (35 MPa, 345 bar)

Maximum air input pressure . . . 100 psi (0.7 MPa, 7 bar)

Fluid Flow at 21 cpm 2.0 gpm (7.6 lpm)

Fluid Inlet Size (for pressure feeding) 1/2 npt(f)

Weight 1365 lb (619.7 kg)

Instruction manuals

SuperCat 308-803

DuraFlo 750 Pump Lower 308-418

Premier Air Motor 308-213

Silver Plus™ Gun 308-236

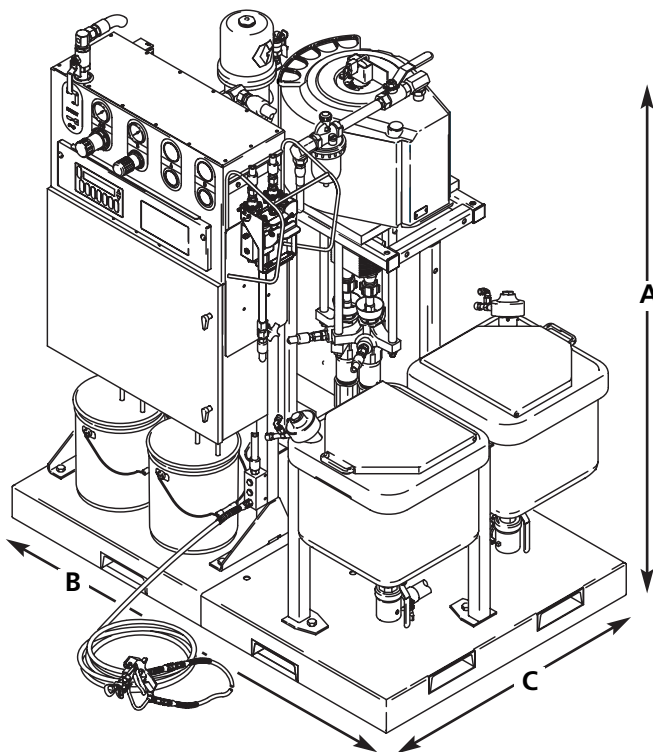
President 46:1 307-619

President Air Motor 306-982

*Pump mix ratio accuracy 2% or less.



Dimensions



Height (A)	Length (B)	Width (C)
69 in. 175 cm	68 in. 173 cm	44 in. 112 cm

232-095 SuperCat 1:1 Unheated High Pressure Proportioner

- (2) 20 gal. (76 liter) stainless steel reservoirs
 - Reservoirs fluid level sensors
 - 12 mesh pump inlet filters (or reservoir outlet filters)
- 1.5 inch convoluted Teflon® proportioner supply hoses
- SuperCat proportioner pump
 - Premier air motor
 - (2) Stainless steel stacked Dura-Flo 750 lowers (patent pending)
- 60 mesh fluid outlet filters
- Fluid outlet pressure transducers
- Ratio check valves
- Back pressure valves for ratio checks
- Recirculation valving
- Electronic controls with electronics security touch key
- Concentric flow mix manifold with interlocking control handles (patent pending)
- 12 element static mixer
- President 46:1 solvent pump with supply hose and tube
- 3 gun manifold
- 50 ft. (21.3 m) of 3/8 in. ID (9.5 mm) fluid hose
- 6 ft. (1.8 m) of 1/4 in. (6.3 mm) ID whip hose
- SilverPlus™ gun with 617 HD RAC

Ordering Information for 232-095 1:1 SuperCat Unheated High Pressure Proportioner

Order Nos.	Premier Proportioner	President 46:1 240-445
Pump Lower	DuraFlo 750	
Part No.	236-456	240-444
Construction	SST	SST
Standard Seal Repair Kits	237-240	236-724
Construction	Leather/Teflon	Teflon
Motor		
Part No.	240-176	207-352
Air Motor Repair Kit	222-958	207-385
Air Valve Repair Kit	222-959	N/A
Trip Rod Repair Kit	222-981	N/A
Detent Repair Kit	222-982	N/A

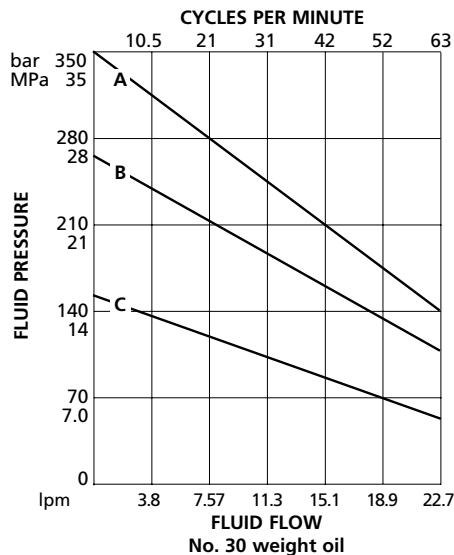
SERVICE PARTS INFORMATION

Pump Lower Part Nos.	236-456	240-444
Displacement Rod	189-853	223-603
Construction	SST	SST
Cylinder	189-857	239-137
Construction	SST	SST
Intake Valve (order separate part numbers)		
Intake Ball	102-973	105-445
Intake Valve Seat	236-585	223-593
Ball Guide	190-396	186-187
Piston Valve (order separate part numbers)		
Piston Ball	101-859	105-444
Seat	237-790	223-591
Ball Guide	190-497	N/A

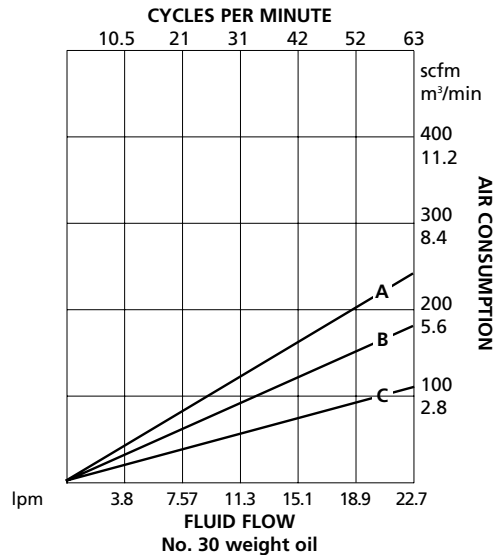
Teflon® is a registered trademark of Du Pont.

Performance Charts for SuperCat 1:1 Proportioner

Fluid Pressure



Air Consumption



Air Pressures

- A = 95 psi (0.64 MPa, 6.4 bar)
- B = 70 psi (0.49 MPa, 4.9 bar)
- C = 40 psi (0.28 MPa, 2.8 bar)

Note: It is not recommended to run the SuperCat Proportioner over 21 cycles per minute continuous duty.

Accessories

235-464 SilverPlus Gun

Includes HD RAC® tip assembly, 617 size Switch Tip™, and 2-finger trigger.

235-474 SilverPlus Gun Repair Kit

Includes diffuser seat, gasket and needle.

236-995 Model 510 Airless Spray Gun

Includes HD RAC tip assembly, 527 size Switch Tip, and 4-finger trigger.

Needle and Seat Repair Kits for 510 Gun

237-398 For fluid orifice size of 0.090 in. (2.3 mm)

237-260 For fluid orifice size of 0.125 in. (3.2 mm)

222-674 HD RAC Tip Retainer With DripLess™ Guard

Inlet: 7/8 in. (2.22 cm) thread. Tip (GHD-xxx) ordered separately below.

GHD-xxx HD RAC Tips

See your local distributor for tip size selection.

231-414 HD SST Drum Agitator

Includes agitator, siphon tube, drum cover, and elevator.

236-629 Siphon SST Twistork™ Agitator

Fits standard 2 in. bung opening in closed head 55 gal. (200 liter) drums. Includes siphon tube.

Hoses, Coupled, SST

240-658 1/4 x 6 ft. fxf whip hose

240-659 1/4 x 15 ft. fxf, whip hose

240-660 1/4 x 25 ft. fxt whip hose

240-642 1/4 x 50 ft. mxh

240-647 3/8 x 50 ft. mxh

240-636 1/2 x 50 ft. mxh

High Pressure Fluid Regulators

It is not recommended to put a regulator in the mixed material fluid stream as this is a maintenance issue in the system. However if pulsation is an issue for your applications, this may be an option. For additional information on these regulators, consult Graco form number 305-793.

Manual models. Max. working pressure: 3000 psi (21 MPa, 2.1 bar)

238-890 Spring-operated, with gauge

238-889 Spring-operated with EZ flush plug

Manual models. Max. working pressure: 5000 psi (34 MPa, 345 bar)

238-892 Spring-operated with gauge

238-891 Spring-operated with EZ flush plug

240-689 Feed Supply Pump Controls Kit

Includes all necessary equipment to control optional feed pumps to supply the SuperCat reservoirs. Includes air regulators, gauges, solenoid valves, airline logic tubing, air line supply tubing 20 ft. x 1/2 in. OD (6 m x 12.7 mm OD), and air line fittings.

Note: Feed pumps and fluid hoses must be purchased separately.

240-688 Inlet Low Pressure Transducer Kit

Includes 2 low pressure transducers that must be installed in the inlet filter housings located below each hopper supply container. The transducers measure pressure changes if the filter element or hopper inlet becomes plugged. The SuperCat will shut down, and the LED display will indicate that the inlet filter requires service.

240-690 Reservoir Level Indicator Kit

Includes 2 hopper level indicators. Used when the SuperCat hoppers are manually filled and/or filled from bulk supplies with optional feed pumps.

Air Regulator Repair Kits

240-817 1 in. (25 mm) ported regulator. Used for Premier pump.

240-818 Solvent pump regulator (114-105).

114-312 Paint Shield, 10 Pack

Clear, disposable peel-off shield for the control and schematic keypads..

193-200 Gauge Cover, 12 per single sheet

Clear, disposable peel-off shield for air and fluid pressure gauges.

Throat Seal Liquid

206-995 1 quart (0.9 liter)

206-997 12-quart case (11.3 liter)

206-996 1 gallon (3.8 liter)

206-998 4-gallon case (15.14 liter)

192-974 Pump Inlet Filter Element

12 mesh

Pump Outlet Filter Elements

238-437 60 mesh, 3 pack

238-439 100 mesh, 3 pack