



First choice when  
quality counts.™

# Standard® 2:1 & Foam-Cat® 2:1 Stubby Pumps

- **Air-powered for high reliability and low cost**
- **Typical fluid delivery up to 2.5 gpm (9.46 lpm); up to 360 psi (2.4 MPa, 24 bar) fluid pressure**
- **Divorced-style drum for leak-free operation**
- **Available in carbon steel or stainless steel construction**
- **Mountings available for wall mount configuration**

**Delivers fluid at  
medium pressure  
with toughness  
and reliability**

Graco's 2:1 pumps are ideally suited to a wide range of medium pressure fluid transfer and supply applications. These pumps use Graco's proven differential air motor design providing long trouble-free air motor life. The Graco 1.4 inch (35.5 mm) diameter air motor connects to either a carbon steel or stainless steel fluid pump. Mounting options include bung mounting and a bracket for wall mount configurations.

#### **Typical Fluids Handled**

- Solvents
- Adhesives
- Resins
- Catalysts
- Chemicals

#### **Typical Applications**

- Foam chemical supply
- Spray gun supply
- Dispensing valve supply
- Cleaning chemical supply
- Fluid transfer



Standard 2:1  
223-954

COMPONENTS

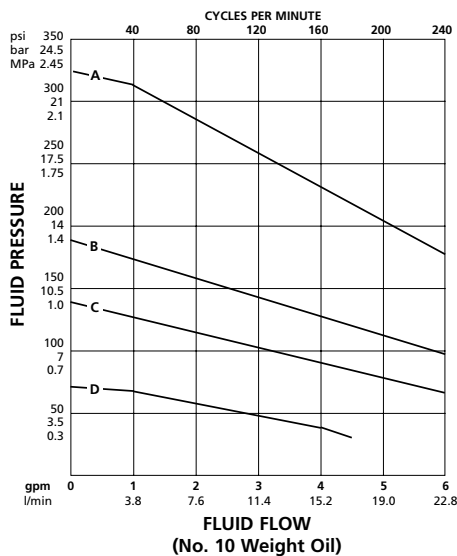
## Technical Specifications Standard 2:1

Maximum continuous flow . . . . . 2.5 gpm (9.5 lpm)  
 Air input pressure range . . 30-180 psi (0.4-1.2 MPa, 4-12 bar)  
 Pump cycles per gallon (3.8 liter) . . . . . 50  
 Maximum fluid pressure . . . . . 360 psi (2.4 MPa, 24 bar)  
 Air inlet size . . . . . 1/4 npt(f)  
 Fluid outlet size . . . . . 1/2 npt(f)  
 Weight . . . . . 11.5 lbs. (5.2 kg)  
 Instruction manual . . . . . 307-026

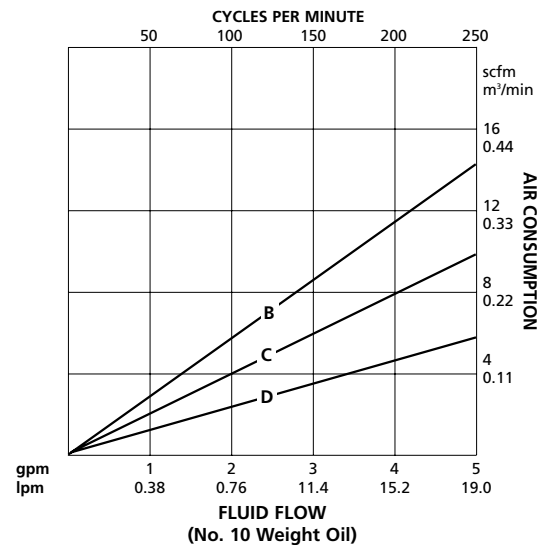
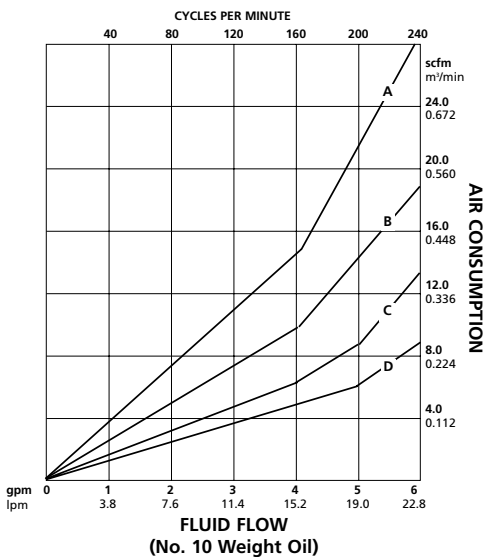
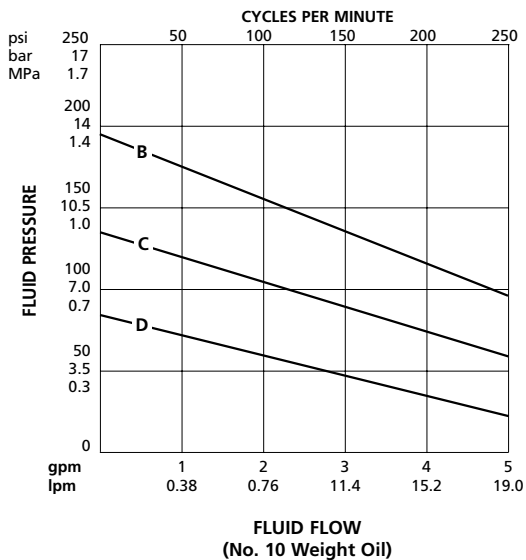
## Technical Specifications Foam-Cat 2:1

Maximum continuous flow . . . . . 2 gpm (7.6 lpm)  
 Air input pressure range . . 30-120 psi (0.2-0.84 MPa, 2-8.4 bar)  
 Pump cycles per gallon (3.8 liter) . . . . . 50  
 Maximum fluid pressure . . . 240 psi (1.68 MPa, 16.8 bar)  
 Air inlet size . . . . . 1/4 in. npt(f)  
 Fluid outlet size . . . . . 1/2 in. npt(f)  
 Weight . . . . . 23 lbs. (10.4 kg)  
 Instruction manual . . . . . 307-679

## Performance Charts Standard 2:1



## Performance Charts Foam-Cat 2:1



### Air Pressures:

A = 180 psi (1.2 MPa, 12 bar)      C = 70 psi (0.48 MPa, 4.8 bar)  
 B = 100 psi (0.7 MPa, 7 bar)      D = 40 psi (0.28 MPa, 2.8 bar)

## Ordering Information for Standard 2:1 and Foam-Cat 2:1

Order number includes motor and pump lower assembly

| Order Nos.                  | Standard 2:1 Stubby | Foam-Cat 2:1 Stubby |         |
|-----------------------------|---------------------|---------------------|---------|
|                             | 223-954             | 223-776             | 223-777 |
| <b>Pump Lower</b>           |                     |                     |         |
| Part No.                    | 223-955             | 223-774             | 223-775 |
| Construction                | SST                 | CS                  | SST     |
| Standard Repair Kits        | 224-005             | 223-650             | 223-650 |
| Construction                | Teflon®/PEEK        | UHMWPE              | UHMWPE  |
| <b>Motor</b>                |                     |                     |         |
| Air Valve Assembly: 220-168 |                     |                     |         |

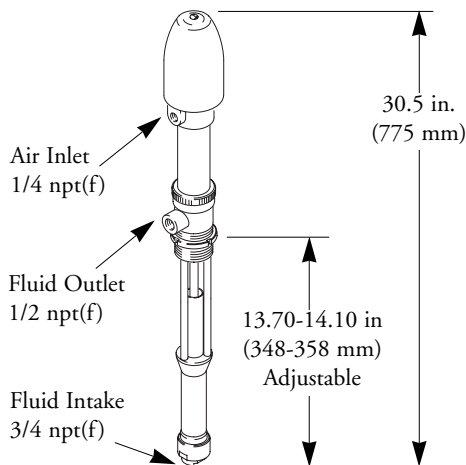
### SERVICE PARTS INFORMATION

| Pump Lower Part Nos.                              | 223-955 | 223-774 | 223-775 |
|---|---------|---------|---------|
| <b>Displacement Rod</b>                           |         |         |         |
| Upper   | 223-957 | 180-433 | 180-440 |
| Lower   | 186-569 | 186-390 | 186-394 |
| Construction                                      | SST     | CS      | SST     |
| <b>Cylinder</b>                                   |         |         |         |
| Construction                                      | SST     | SST     | SST     |
| <b>Intake Valve (order separate part numbers)</b> |         |         |         |
| Intake Ball                                       | 101-917 | 101-917 | 101-917 |
| Intake Valve Seat                                 | 166-609 | 179-941 | 179-941 |
| <b>Piston Valve (order separate part numbers)</b> |         |         |         |
| Piston Ball                                       | 101-750 | 100-084 | 101-750 |
| Seat  | 161-795 | 186-399 | 186-399 |
| Ball Guide  | 161-791 | 169-293 | 161-791 |

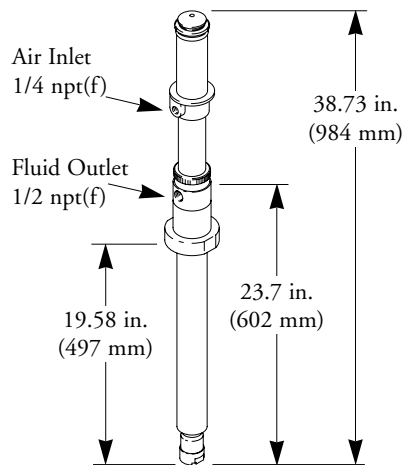
COMPONENTS

## Dimensions

Standard 2:1 Stubby Model



Foam-Cat 2:1 Stubby Model



## Accessories

### 237-569 Grounding Clamp and Wire

25 ft. (7.6 m) long, 12 gauge (1.5 mm<sup>2</sup>)

### 107-142 Bleed-Type Master Air Valve

Max. working pressure: 300 psi (2.1 MPa, 21 bar).

Inlet: 1/2 npt(m), outlet: 1/2 npt(f).

### 106-149 Air Line Filter

Max. working pressure: 250 psi (1.7 MPa, 17 bar)

Inlet and outlet: 1/2 npt(f)

### 202-156 Air Regulator and Gauge

Max. working pressure: 300 psi (2.0 MPa, 20 bar)

Inlet and outlet: 3/8 npt(f)

### 214-848 Air Line Lubricator

Max. working pressure: 250 psi (1.7 MPa, 17 bar)

Bowl capacity: 8 oz. (0.24 liter)

Inlet and outlet: 1/2 npt(f)

### Fluid Drain Valve

Maximum working pressure: 500 psi (3.5 MPa, 35 bar)

**208-630** Inlet: 1/2 npt(m), outlet: 3/8 npt(f)

Non-corrosive fluids: carbon steel & Teflon

**237-534** Inlet: 3/8 npt(m), outlet: 3/8 npt(f)

Corrosive fluids: stainless steel & Teflon

### 204-865 Teflon Fluid Hose

Max. working pressure: 1000 psi (7.0 MPa, 70 bar)

1/2 in. ID x 6 ft. (13 mm ID x 1.8 m)

### Fluid Filter

Maximum working pressure: 300 psi (2.0 MPa, 20 bar)

Inlet and outlet: 3/4 npt(f)

**213-057** 30 mesh

**213-058** 60 mesh

**213-059** 100 mesh

### 203-987 Wall Mounting Bracket

### 224-302 Pail Cover Kit, Stainless Steel

### 224-004 Pail Mount Kit

### 187-316 Pail Cover Funnel

## Standard 2:1 Pumps Only:

### Fluid Pressure Regulator

Max. working pressure: 250 psi (1.7 MPa, 17 bar)

Inlet: 3/8 npsm(f). Outlets: 3/8 npsm(m) and 3/8 npt(f)

**203-831** Carbon steel. Regulated pressure range: 0-60 psi (0-0.4 MPa, 0-4 bar). Maximum flow rate: 2 gpm (7.6 lpm).

**209-030** Stainless steel. Regulated pressure range: 5-100 psi (0.04-0.7 MPa, 0.4-7 bar). Maximum flow rate: 3 gpm (11.3 lpm).

### 202-660 Air Line Filter and Regulator

Max. working pressure: 180 psi (1.3 MPa, 13 bar).

Inlet: 1/2 npt(f), outlet 1/4 npt(m). Flow rate is over 50 scfm (1.4 m<sup>3</sup>/min). Includes gauge and two outlet valves, 50 micron filter element and 100 mesh inlet strainer.

## Foam-CAT 2:1 Pumps Only:

### 188-049 Accessory Fluid Piston

Replaces 180-415 standard fluid piston.

### 188-050 Intake Valve Housing

Replaces 179-941 intake valve housing. 188-050 does not use a relief valve.

Teflon® is a registered trademark of Du Pont.