



First choice when
quality counts.™

Standard 10:1 Stubby Pump

- Provides high atomizing pressure for high quality finishing performance
- Standard UHMWPE packings for extended pump life in abrasive fluids
- All SST lower (wetted) construction

Graco's Standard 10:1 pump is designed to handle a wide range of low to medium viscous fluids. This pump uses Graco's proven differential style air motor for long, troublefree operation. The divorced pump design protects the air motor from fluid contamination.

**Troublefree
operation and
long life in a
stubby length
pump**

Due to its stubby design the pump may be used to supply fluids directly from pails or can be easily mounted to a wall mount bracket for siphon feed applications. Features Severe Duty™ wear parts to handle abrasive filled fluids.

Typical Fluids Handled

- Solvents
- Adhesives
- Lacquers, varnishes
- High solids
- Catalysts
- Plural component fluids

Typical Applications

- Small air-assisted airless system (one gun)



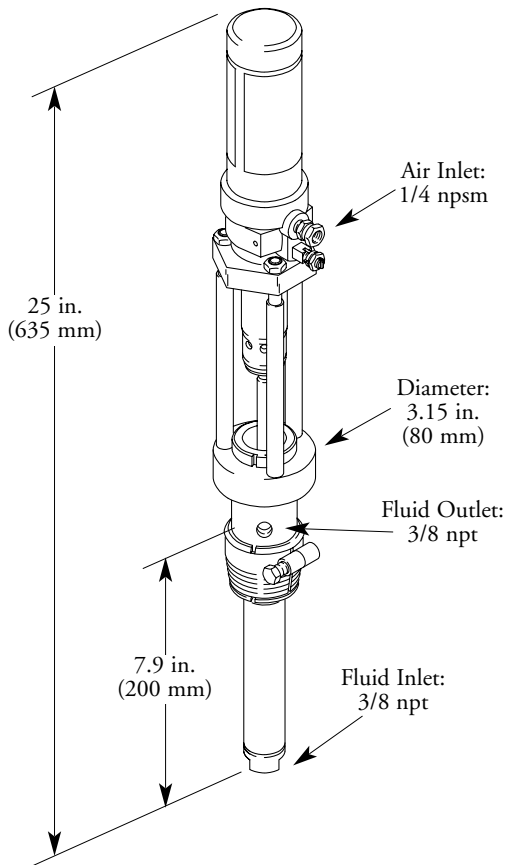
224-522

COMPONENTS

Technical Specifications

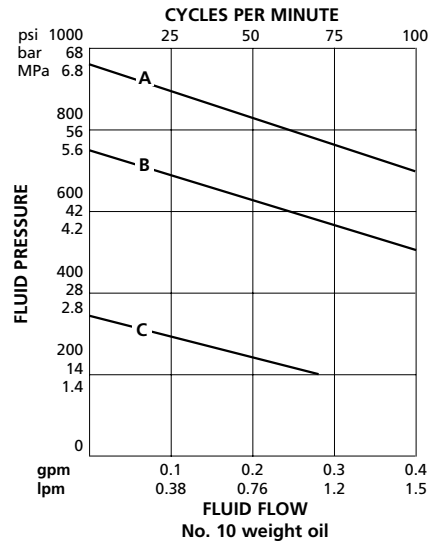
Maximum fluid pressure 950 psi (6.5 MPa, 65 bar)
Maximum continuous flow 0.4 gpm (1.5 lpm)
Volume/cycle 0.52 oz. (15.2 cc)
Air inlet pressure range 25-95 psi
 (0.17-0.65 MPa, 1.7-6.5 bar)
Air inlet size 1/4 npsm(f)
Fluid inlet size 3/8 npt(f)
Fluid outlet size 3/8 npt(f)
Weight 28 lbs. (12.7 kg)
Instruction manual 307-917

Dimensions

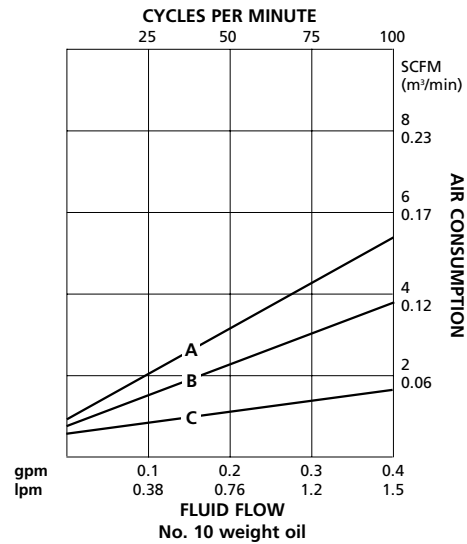


Performance Chart Standard 10:1

Fluid Pressure



Air Consumption



Air Pressures:

A = 100 psi (0.7 MPa, 7 bar)

B = 70 psi (0.48 MPa, 4.8 bar)

C = 40 psi (0.28 MPa, 2.8 bar)

Performance tested in No. 10 weight motor oil (65 cp at 68° F (20° C))

Ordering Information for Standard 10:1 Pump

Order number includes motor and pump lower assembly

Order Nos.	224-522
Pump Lower	
Part No.	224-521
Construction	SST
Mounting Kit	N/A
Part No.	
Standard Seal Repair Kits	222-344
Construction	UHMWPE/Teflon®
Motor	
222-344: Repair Kit	

SERVICE PARTS INFORMATION

Pump Lower Part Nos.	224-521
Displacement Rod	185-011
Construction	SST
Cylinder	185-005
Construction	SST
Intake Valve (order separate part numbers)	
Intake Ball	101-750
Intake Valve Seat	187-187
Piston Valve (order separate part numbers)	
Piston Ball	102-119
Seat	185-007
Ball Guide	110-038

Teflon® is a registered trademark of Du Pont.

Accessories

Pump Conversion Kits

To convert to a pail mount system, order:

- 222-250** Pail mount kit
- 222-392** Hose kit
- 238-852** Air-assisted airless spray gun

To convert to a wall mount system, order:

- 222-251** Wall mount kit
- 222-391** Air/fluid regulator kit
- 222-392** Hose kit
- 238-852** Air-assisted airless spray gun

205-054 Portable Base

204-536 Pail Agitator, 1/4 hp, air-powered

Mounting parts (must be ordered separately):

- 160-023** Air hose; buna-N;
1/4 in. ID x 18 in. (6 mm ID x 0.45 m);
1/5 npt(mbe)
- 100-547** Tee 1/4 npt(f)
- 100-030** Reducing bushing; 1/4 npt(m) x 1/8 npt(f)
- 156-971** Nipple 1/4 npt

Drum Bung Unit

To mount the pump in a bung hole of a 55 gallon (200 liter) drum, order the following parts:

- 224-522** 10:1 Standard pump
- 185-190** Extension pipe
- 222-392** Hose kit

Drum Cover Unit

To mount the pump on a 55 gallon (200 liter) drum, order:

- 200-326** Drum cover
- 160-754** Flange adapter
- 100-270** Capscrews (2)
- 185-190** Extension pipe
- 222-392** Hose kit

185-190 Pump Extension Pipe

222-392 Hose Kit