



GRACO
First choice when
quality counts.™

Senator 22:1 Drum Pump

- **High production at low cycle rates**
- **Low cycle rates minimize wear, repairs, and downtime**
- **Mechanical assisted piston check for more efficient pumping**
- **Senator air motor tested for more than 10 million cycles of operation**
- **Senator has sufficient reserve power to accommodate even higher flow demands, added pressure to feed longer hoses, or handle higher viscosity roofing materials**

**For durability,
power and
reliability under
tough working
conditions**

The Graco Senator is a divorced pump used to cold-applied roofing materials from tight head 55 gallon (200 liter) drums to an airless applicator. A Graco airless applicator can be used for even flow control for uniform saturation around drains, vents, flashings, skylights, an critical seams.

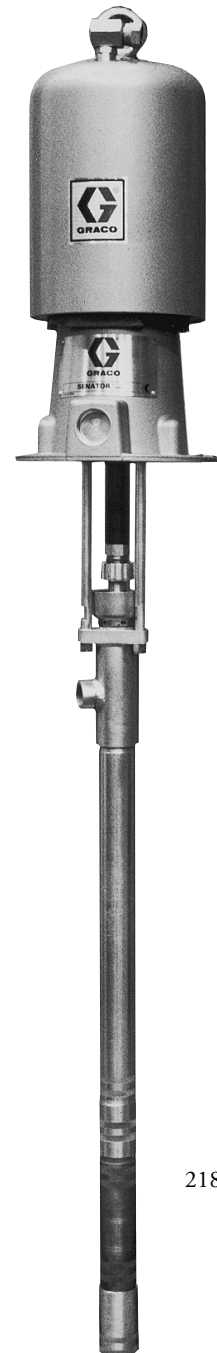
This unit supplies high production output (3.8 gpm/ 14.4 lpm) at very low cycle rates compared to most other roofing pumps on the market. This allows you to complete jobs faster for more profit. The lower cycle rate will also minimize wear, repairs, and downtime. Downtime is unacceptable when you are trying to meet a deadline or beat the weather.

Typical Fluids Handled

- Roof primers
- Asphalts
- Other cold-applied roofing materials

Typical Applications

- Airless spray application of roofing materials



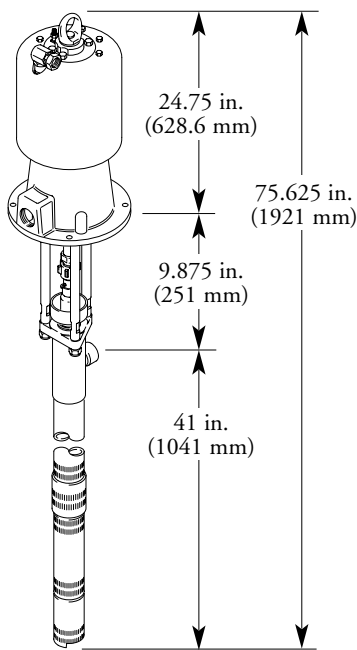
COMPONENTS

218-611

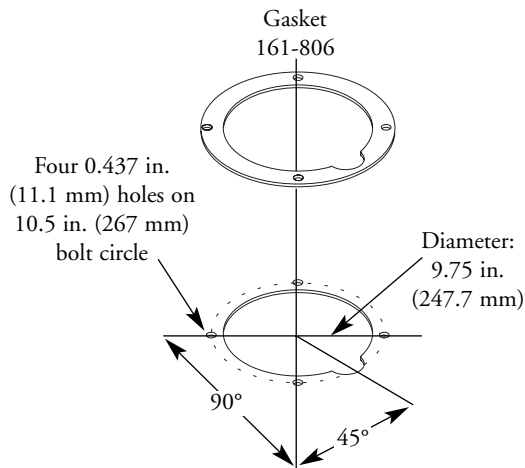
Technical Specifications

Maximum continuous flow 3.8 gpm (14 lpm)
Volume/cycle 8.1 oz (239 cc)
Air motor diameter 5.5 in. (13.8 cm)
Air inlet pressure range 40-100 psi
 (0.3-0.7 MPa, 3-70 bar)
Maximum fluid pressure . . . 2200 psi (15.1 MPa, 151 bar)
Air inlet size 3/4 in. npsm(f)
Fluid inlet size Slotted drum inlet
Fluid outlet size 1 in. npt(f)
Weight 79 lbs (35.8 kg)
Instruction manual 307-717

Dimensions

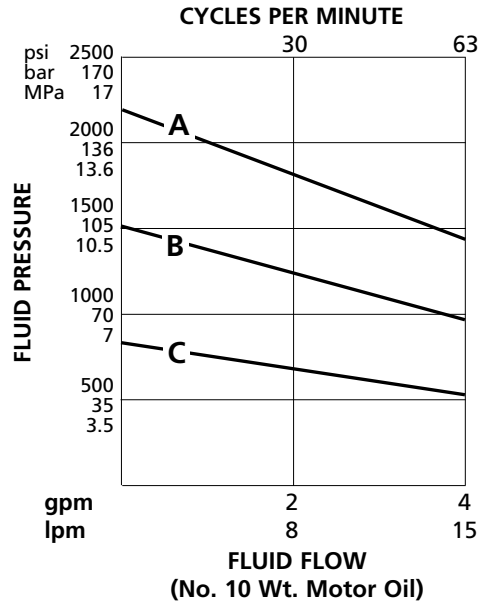


Mounting Hole Layout

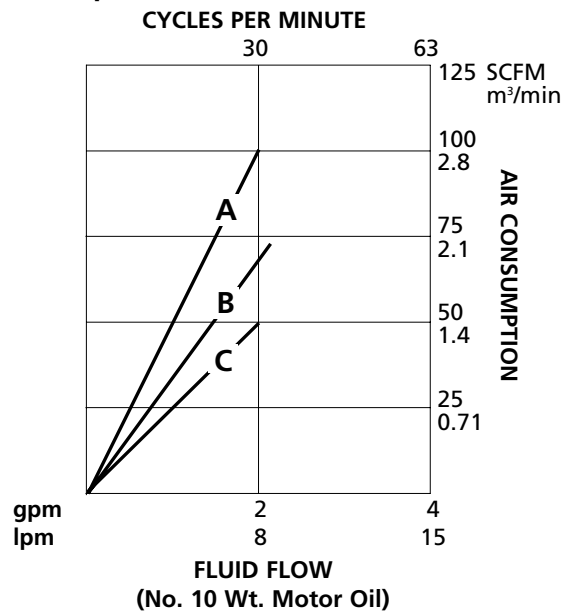


Performance Charts Senator 22:1

Fluid Pressure



Air Consumption



Air Pressure:

A = 100 psi (0.7 MPa, 7 bar)
 B = 70 psi (0.47 MPa, 4.7 bar)
 C = 40 psi (0.28 MPa, 2.8 bar)
 Performance tested in No. 10 weight motor oil (65 cp at 68° F (20° C))

Ordering Information for Senator 22:1

Order number includes motor and pump lower assembly

Order Nos.	218-611
Pump Lower	
Part No.	218-612
Construction	CS
Standard Seal Repair Kit	218-711
Construction	Teflon®/Leather
Motor	
218-122: Repair Kit	

SERVICE PARTS INFORMATION

Pump Lower Part Nos.

Displacement Rod	180-655
Construction	CS
Cylinder	180-654
Construction	CS
Intake Valve (order separate part numbers)	
Intake Ball	101-178
Intake Valve Seat	218-165
Piston Valve (order separate part numbers)	
Piston Valve	180-023
Piston Housing	180-020

Teflon® is a registered trademark of Du Pont.

Accessories

218-688 Flow Valve with Harness

218-689 Hose

Maximum fluid pressure: 2250 psi (15.3 MPa, 153 bar)

3/4 in. (19 mm) ID x 50 ft. (15.2 m)

214-963 Fluid Hose

1/2 in. (12.7 mm) ID x 25 ft. (7.6 m)

218-691 Air Regulator Kit

Flat Spray Tip, SST

180-727 0.072 in. (1.8 mm) x 65°

164-438 0.052 in. (1.3 mm) x 65°

207-947 Swivel, High Pressure

218-704 Elevator System

Single post elevator with hook for lifting pump and mounting feet.