



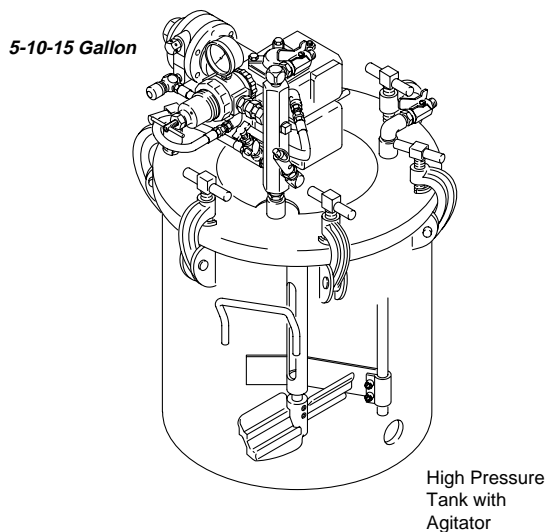
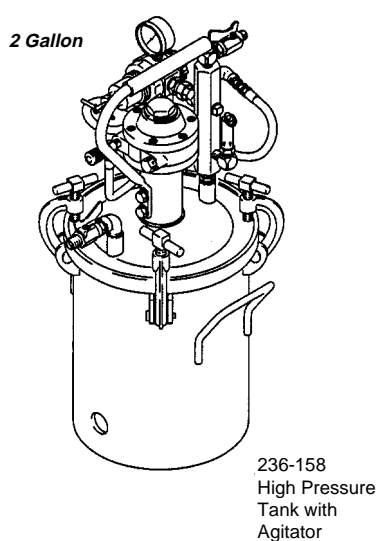
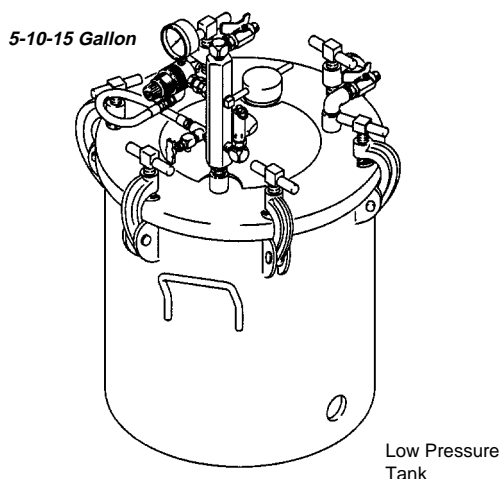
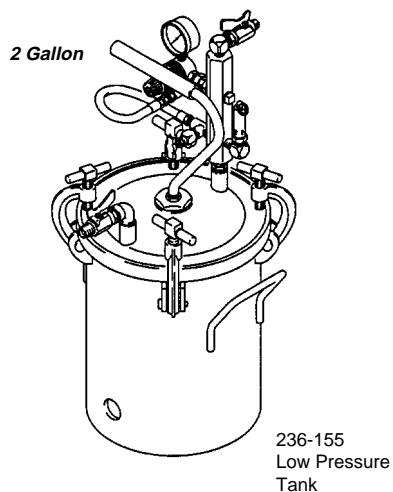
PRESSURE TANKS & CUPS

With today's tough coatings, you need durable, easy-to-clean containers to stay productive. Graco's complete line of pressure tanks and pressure cups can handle everything from conventional coatings to corrosives.

- **Stainless steel pressure tanks with non-corrosive wetted parts – from 2.0 gallons to 15 gallons (7.6 to 56.8 liters).**
- **1 & 2 quart (.95 to 1.89 liters) pressure cups.**

Stainless Steel Pressure Tank Models

Capacity	Height In. (cm)	Weight Lbs. (kg)	Models with Agitators		Models without Agitators	
			Low Pressure (HVLP) Regulated to 15 psi (1.05 bar) (0.105 MPa)	High Pressure Regulated to 100 psi (7 bar) (0.7 MPa)	Low Pressure (HVLP) Regulated to 15 psi (1.05 bar) (0.105 MPa)	High Pressure Regulated to 100 psi (7 bar) (0.7 MPa)
• Two Gallon	26.0 (66.0)	38 (17)	236-156	236-158	–	–
	25.4 (64.5)	30 (14)	–	–	236-155	236-157
• Five Gallon	30.5 (77.5)	74 (34)	236-146	236-152	–	–
	30.5 (77.5)	65 (30)	–	–	236-143	236-149
• Ten Gallon	33.9 (88.0)	85 (39)	236-147	236-153	–	–
	33.9 (88.0)	76 (35)	–	–	236-144	236-150
• Fifteen Gallon	44.6 (113.2)	101 (46)	236-148	236-154	–	–
	44.6 (113.2)	92 (42)	–	–	236-145	236-151



**New optional Gun Air Regulator Kit (235-042) can be added to all the tanks above.
All Pressure Tanks with agitators feature heavy duty back-gear models.**

• **Waterborne compatible**

Stainless Steel Pressure Tanks

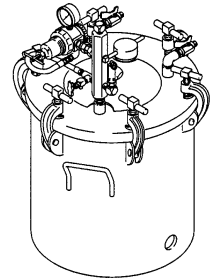
Made of electropolished, 304/316 stainless steel. Use with corrosives, waterbased and acid-catalyzed materials.

Specifications

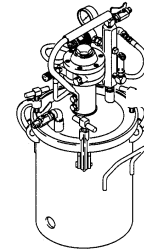
Maximum Working Pressure	100 psi (7 bar) (0.7 MPa)
Relief Valve Setting	100 psi (7 bar) (0.7 MPa)
Regulated Pressure	see particular models by part number
Air Inlet	1/4 - 18 npt(m)
Agitator Air Consumption	
Continuous duty at 60 rpm	15 scfm / 0.42 m ³ /min. @ 80 psi (5.5 bar) (0.55 MPa)
Fluid Outlet	3/8 - 18 npsm(m)
Wetted Parts	
Without agitator	304, 316 electropolished stainless steel, Thiokol, Zytel, Mylar
With agitator	304, 316 electropolished stainless steel, Thiokol, Zytel, Teflon, Bronze
Instruction Manual	
2 Gallon	308-370
5, 10, 15 Gallon	308-369



**ASME
Approved**



5-10-15 Gallon
SST Pressure Pot
Design



2 Gallon
SST Pressure Pot
Design

COMPONENTS

Aluminum Non-ASME Pressure Tank

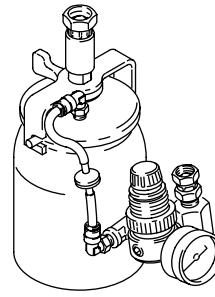
Specifications

Order No. for 2-1/2 Gallon Pressure Pot	171-226
Order No. for Pressure Pot with Dual Regulators	223-833
Order No. for Pressure Pot with Dual Regulators, Hoses and Air Spray Gun	223-834
Tank Capacity	2.5 gal. (9.5 liter)
Maximum Working Pressure	50 psi (3.5 bar) (0.35 MPa)
Relief Valve Setting	50 psi (3.5 bar) (0.35 MPa)
Fluid Inlet	1/4 npt(m)
Fluid Outlet	3/8 npsm(m)
Wetted Parts	Aluminum, brass, steel, bronze
Air Inlet	1/4 npt(m)
Size	21 in. H x 11 1/4 in. W (53 cm H x 286 cm W)
Weight	11 lbs. (5 kg)
Instruction Manual	307-133

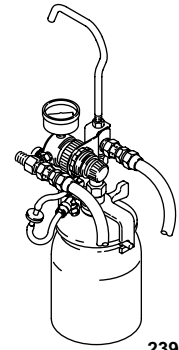
Pressure Cups

For small jobs. Sturdy design. Easy to open, clean and close.
Available in one or two quart (.95 or 1.89 liters) size.

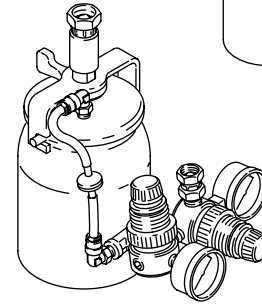
Part No.	Qt. (Liters)	Inlet npsm(f)	Wetted Parts	Inst. Manual
• 239-802	1 (0.95)	3/8	304 SST	308-791
Note: Single regulator assembly.				
• 239-803	1 (0.95)	3/8	304 SST	308-791
Note: Double regulator assembly.				
• 239-804	1 (0.95)	3/8	304 SST	308-791
Note: Remote assembly with hoses.				
239-801	Pressure Cup Only			



239-802



239-804



239-803

Gravity Cups

Part No.	Capacity fl. oz. (cc)	Fittings npsm(f)	Wetted Parts	Instruction Manual
• 239-714	16 (473)	3/8 bottom entry	Nylon Cup SST Fitting	308-792
• 239-715	8 (236)	3/8 bottom entry	Nylon Cup SST Fitting	308-792

Siphon Cups

Part No.	Capacity fl. oz. (cc)	Fittings npsm(f)	Wetted Parts	Instruction Manual
• 239-582	32 (946)	3/8	SST	308-792
• 239-584	16 (236)	3/8	SST	308-792

• **Waterborne compatible**