



First choice when
quality counts.™

President 4:1 Pump

- **Pressure output capacity of 400 psi (2.8 MPa, 28 bar)**
- **2-ball check pump operation for uniform flow**
- **Hardened carbon steel rod/cylinder for low/medium abrasive wear performance**
- **Divorced air motor eliminates fluid and fume contamination, reducing maintenance**
- **Air and fluid regulators, filters, and other accessories available**

Reliable paint circulating and transfer pump

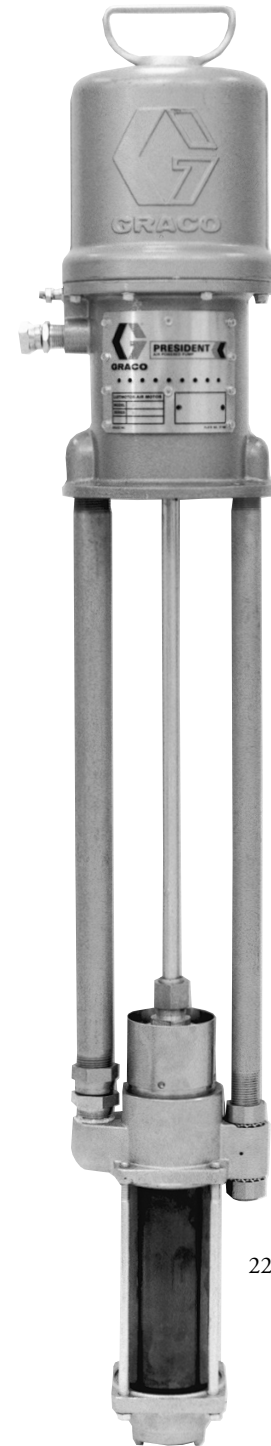
Durable and economical medium volume, low pressure performer for circulating light to medium viscosity fluids. There are thousands of satisfied customers using this pump worldwide. Ideal solution for transfer and circulation of coatings, adhesives, and other finishing materials. Driven by the reliable President air motor which is life tested to 10,000,000 cycles.

Typical Fluids Handled:

- Solventborne paints
- Solventborne adhesives
- Non-corrosive fluids

Typical Applications:

- Paint circulation, and transfer

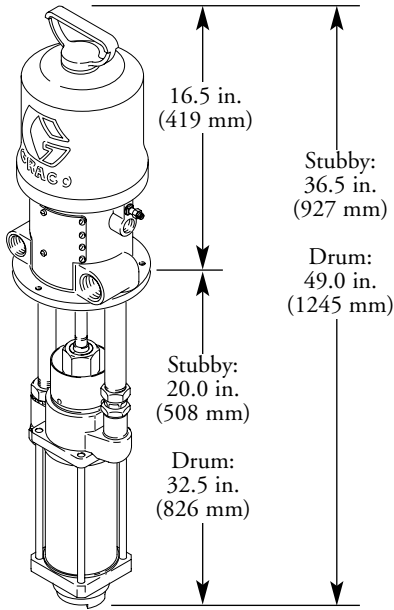


223-183

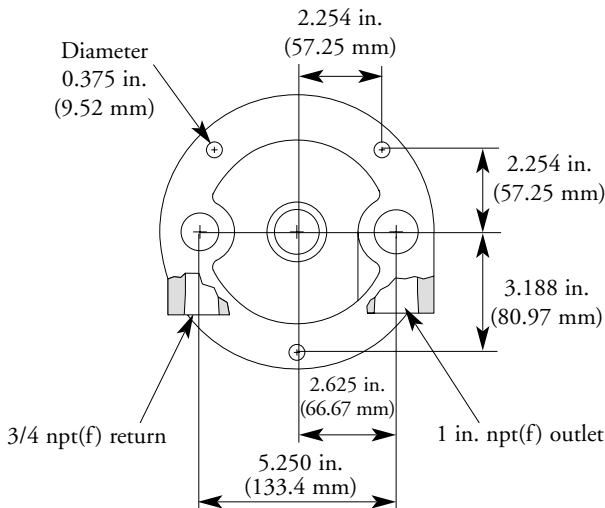
Technical Specifications

- Maximum working pressure . . . 400 psi (2.8 MPa, 28 bar)
- Maximum air input pressure . . . 100 psi (0.7 MPa, 7 bar)
- Fluid flow at 60 cpm 8 gpm (30.3 lpm)
- Volume per cycle 17 oz (502 cc)
- Air inlet size
 - 223-183 3/8 npt(f)
 - 223-184 1/2 npt(f)
- Fluid inlet size 1-1/2 npt(f)
- Fluid outlet size 1 npt(f)
- Weight 47 lb (21.3 kg)
- Instruction manual 307-986

Dimensions



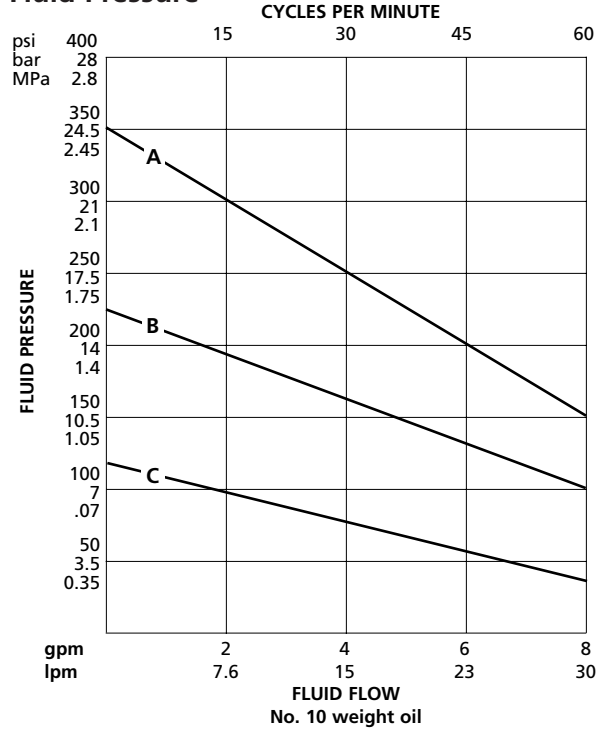
Mounting Hole Layout



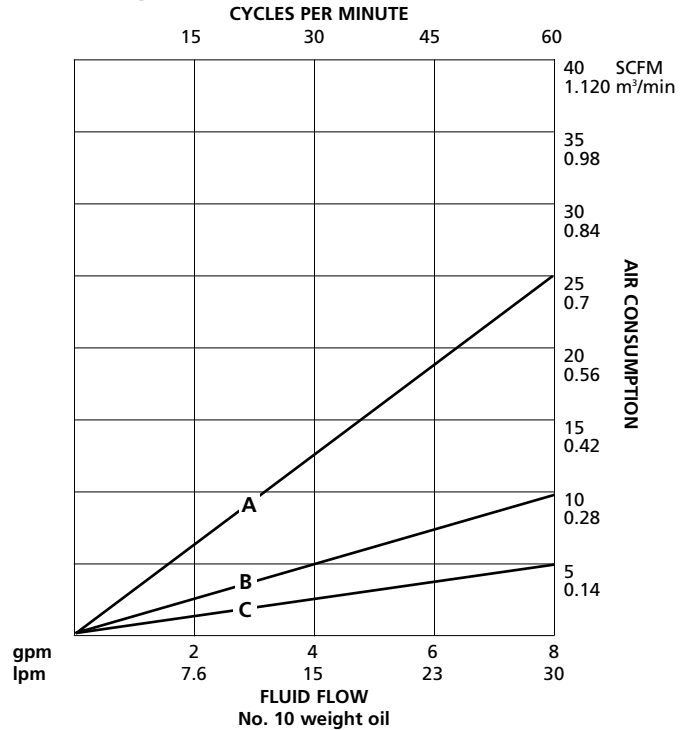
Note: Use mounting gasket 161-322.

Performance Charts President 4:1

Fluid Pressure



Air Consumption



Air Pressures:
 A = 100 psi (0.7 MPa, 7 bar)
 B = 70 psi (0.48 MPa, 4.8 bar)
 C = 40 psi (0.28 MPa, 2.8 bar)

Ordering Information for President 4:1 Pump

Order number includes motor and pump lower assembly

Order Nos.	Drum 223-183	Stubby 223-184
Pump Lower		
Part No.	223-177	223-177
Construction	CS	CS
Standard Seal Repair Kit	223-320	223-320
Construction	UHMWPE/Leather	UHMWPE/Leather
Optional Seal Repair Kit	223-321	223-321
Construction	Teflon®	Teflon
Motor		
207-385: Repair Kit		

SERVICE PARTS INFORMATION

Pump Lower Part Nos.	223-177	223-177
Displacement Rod	185-650	185-650
Construction	CS	CS
Cylinder	185-649	185-649
Construction	CS	CS
Intake Valve (order separate part numbers)		
Intake Ball	101-178	101-178
Intake Valve Seat	205-061	205-061
Piston Valve (order separate part numbers)		
Piston Ball	100-279	100-279
Seat	180-944	180-944

Teflon® is a registered trademark of Du Pont.

Accessories

237-569 Ground Wire and Clamp

Length: 25 ft. (7.6 m), 12 gauge (1.5 mm²)

Bleed-Type Master Air Valve

Maximum working pressure: 300 psi (2.1 MPa, 21 bar)

107-141 Inlet and outlet: 3/4 npt(mxf)

107-142 Inlet and outlet: 1/2 npt(mxf)

207-651 Air Control Kit

Maximum working pressure: 300 psi (2.1 MPa, 21 bar)

Air Line Filter

Maximum working pressure: 250 psi (1.75 MPa, 7.5 bar)

106-148 Inlet and outlet: 3/8 npt(f)

106-149 Inlet and outlet: 1/2 npt(f)

224-040 Pump Runaway Valve

Maximum working pressure: 120 psi (0.8 MPa, 8.4 bar)

Inlet and outlet: 3/4 npt(f)

Air Line Lubricator

Maximum working pressure: 250 psi (1.75 MPa, 17.5 bar)

214-847 Inlet and outlet: 3/8 npt(f)

214-848 Inlet and outlet: 1/2 npt(f)

220-157 Medium Volume High-Flo Surge Tank

Inlet: 1 npt(f); outlet: 1.5 npt(f)

218-742 Mounting Stand Kit

For surge tank 220-157.

220-580 Riser Tube Kit

Adapts the pump outlet to motor level when drum mounted.

Fluid Supply Hose

Maximum working pressure: 500 psi (3.5 MPa, 35 bar)

ID: 1 in. (25 mm), 1/2 npt(mbe).

220-997 Length: 2 ft. (0.6 m)

214-959 Length: 6 ft. (1.8 m)

220-581 Pump Floor Stand

207-872 Stationary Stand

206-221 Wall Bracket

110-335 Packing Nut Wrench

Throat Seal Liquid

206-995 1 quart (0.95 liter)

206-996 1 gallon (3.8 liter)

213-099 Siphon Tube Kit

213-058 Red Alert Filter

Maximum working pressure: 300 psi (2 MPa, 20.4 bar).

Maximum recommended flow rate: 6 gpm

(22.7 lpm). 60 mesh. Inlet and outlet: 3/4 npt(fbe).

Red Alert Filter Screens, SST

108-116 60 mesh

108-117 100 mesh

108-118 200 mesh

231-414 SST Drum Agitator Package

Includes heavy duty agitator, cover, siphon kit, elevator.