



President 3:1 Pump

- **Pressure output capacity of 360 psi (2.5 MPa, 25 bar)**
- **2-ball check pump operation for uniform flow**
- **Excellent abrasion and corrosion resistance using Graco Severe Duty™ wear parts**
- **Divorced air motor eliminates fluid and fume contamination, reducing maintenance**

Durable, and economical medium volume, low pressure performer for a circulating supply of light to medium viscosity fluids. There are thousands of satisfied customers using this pump worldwide. Ideal solution for transfer and circulation of coatings, adhesives, and other finishing materials. Driven by the reliable President air motor which is life tested to 10,000,000 cycles.

**Reliable paint
circulating and
transfer pump**

Typical Fluids Handled

Stainless steel models

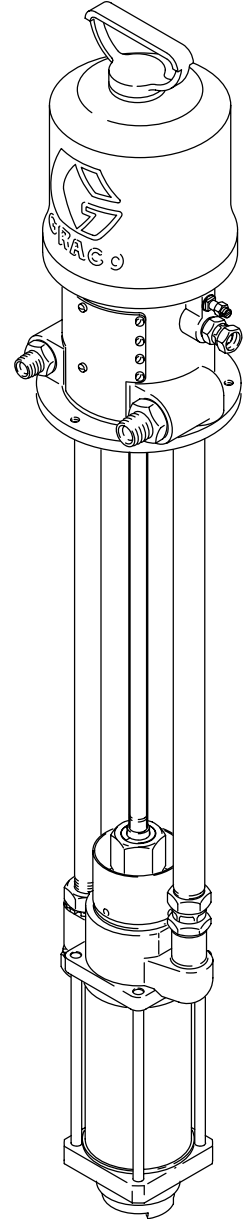
- Waterborne paints
- Acid catalyzed varnishes, enamels, and lacquers

Carbon steel models

- Solventborne paints

Typical Applications

- Paint circulation, and transfer

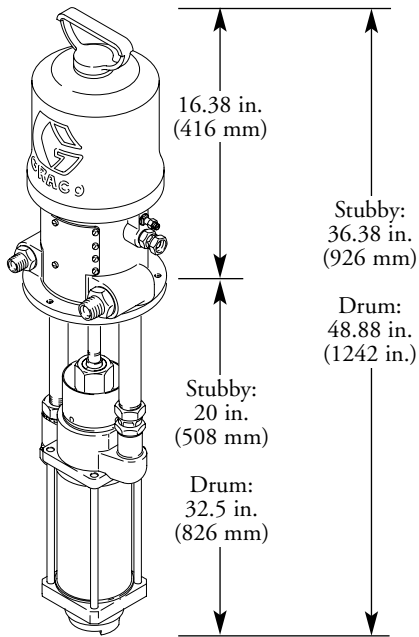


218-794

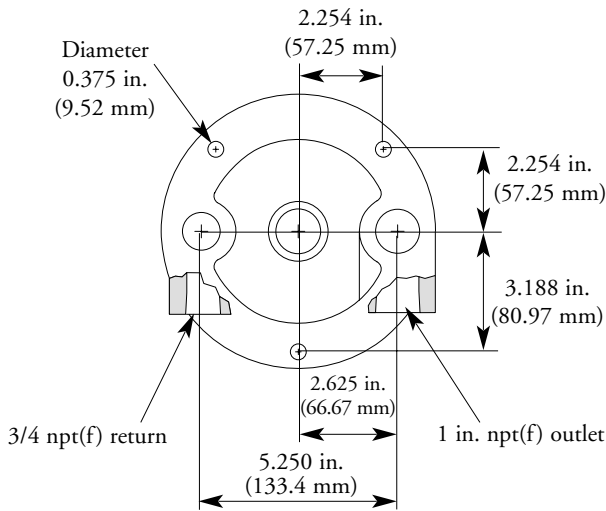
Technical Specifications

- Maximum working pressure . . . 360 psi (2.5 MPa, 25 bar)
- Max. air input pressure 120 psi (0.81 MPa, 8.16 bar)
- Maximum continuous flow 10 gpm (38 lpm)
- Volume per cycle 21.3 oz (630 cc)
- Air inlet size 3/8 npsm(f)
- Fluid inlet size 1-1/2 npt(f)
- Fluid outlet size 1 npt(f)
- Weight 47 lb (21.32 kg)
- Instruction manual 307-674

Dimensions



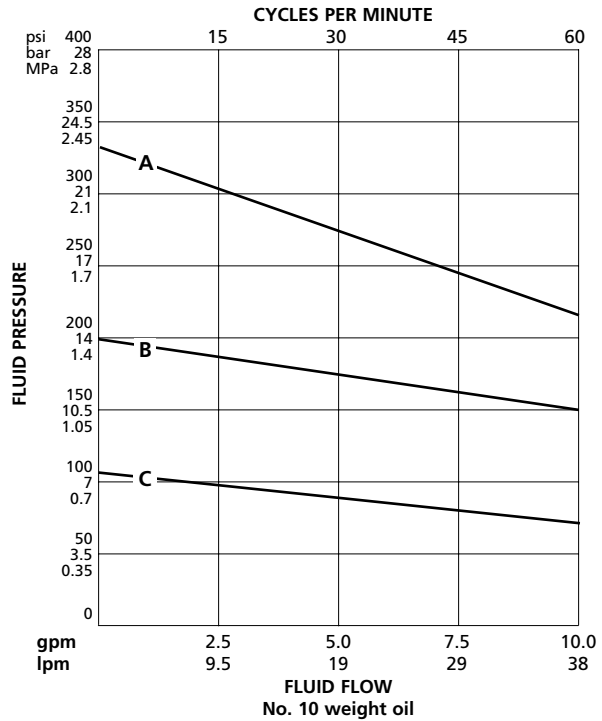
Mounting Hole Layout



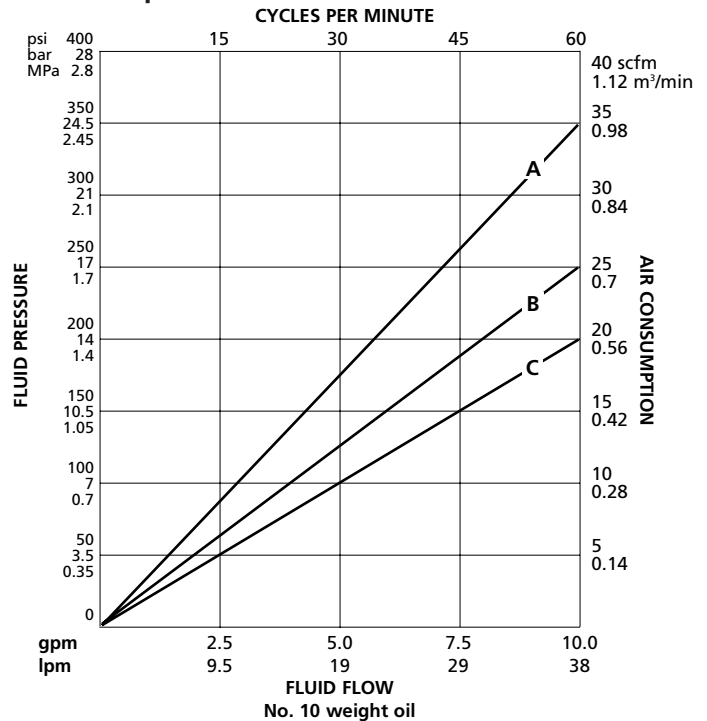
Note: Use mounting gasket 161-322.

Performance Charts President 3:1

Fluid Pressure



Air Consumption



Air Pressures:
 A = 100 psi (0.7 MPa, 7 bar)
 B = 70 psi (0.48 MPa, 4.8 bar)
 C = 40 psi (0.28 MPa, 2.8 bar)

Ordering Information for President 3:1 Pump

Order number includes motor and pump lower assembly

Order Nos.	Stubby				Drum		
	218-747	237-142	237-143	237-146	218-795	237-144	237-145
Pump Lower							
Part No.	218-746	237-140	237-141	237-199	218-746	237-140	237-199
Construction	SST	CS	CS	SST	SST	CS	SST
Standard Seal Repair Kits	220-927	237-198	237-197	237-200	220-927	237-198	237-200
Construction	Poly/Leather	Leather/Teflon®	Leather/Teflon	Teflon	Poly/Leather	Leather/Teflon	Teflon
Optional Seal Repair Kit	218-757	218-757	218-757	218-757	218-757	218-757	218-757
Construction	UHMWPE	UHMWPE	UHMWPE	UHMWPE	UHMWPE	UHMWPE	UHMWPE

Motor

207-385: Repair Kit

SERVICE PARTS INFORMATION

Pump Lower Part Nos.	218-746	237-140	237-141	237-199	218-746	237-140	237-199
Displacement Rod	180-954	180-954	180-954	180-954	180-954	180-954	180-954
Construction	SST	SST	SST	SST	SST	SST	SST
Cylinder	177-721	190-156	190-156	177-721	177-721	190-156	177-721
Construction	SST	SST	SST	SST	SST	SST	SST
Intake Valve (order separate part numbers)							
Intake Ball	101-968	101-178	101-178	101-968	101-968	101-178	101-968
Intake Valve Seat	214-618	205-061	205-061	214-618	214-618	205-061	214-618
Piston Valve (order separate part numbers)							
Piston Ball	101-917	100-279	100-279	101-917	101-917	100-279	101-917
Seat	180-944	180-944	180-944	180-944	180-944	180-944	180-944

Teflon® is a registered trademark of Du Pont.

Accessories

237-569 Ground Wire and Clamp

Bleed-Type Master Air Valve

Maximum working pressure: 300 psi (2.1 MPa, 21 bar)

107-141 Inlet and outlet: 3/4 npt(mxf)

107-142 Inlet and outlet: 1/2 npt(mxf)

207-651 Air Control Kit

Maximum working pressure: 300 psi (2.1 MPa, 21 bar)

Air Line Filter

Maximum working pressure: 250 psi (1.75 MPa, 7.5 bar)

106-149 Inlet and outlet: 1/2 npt(f)

106-150 Inlet and outlet: 3/4 npt(f)

224-040 Pump Runaway Valve

Maximum working pressure: 120 psi (0.8 MPa, 8.4 bar)

Inlet and outlet: 3/4 npt(f)

Air Line Lubricator

Maximum working pressure: 250 psi (1.75 MPa, 17.5 bar)

214-848 Inlet and outlet: 1/2 npt(f)

214-849 Inlet and outlet: 3/4 npt(f)

220-157 Medium Volume High-Flo Surge Tank

Inlet: 1 npt(f); outlet: 1-1/2 npt(f)

218-742 Mounting Stand Kit

For surge tank 220-157.

220-580 Riser Tube Kit

Adapts the pump outlet to motor level when drum mounted.

Fluid Supply Hose

Maximum working pressure: 500 psi (3.5 MPa, 35 bar)

1 in. ID, 1/2 npt(mbe)

220-997 Length: 2 ft. (0.6 m)

214-959 Length: 6 ft. (1.8 m)

220-581 Pump Floor Stand

207-872 Stationary Pump Stand

206-221 Pump Wall Bracket

110-335 Packing Nut Wrench

Throat Seal Liquid

206-995 1 quart (0.95 liter)

206-996 1 gallon (3.8 liter)

213-099 Siphon Tube Kit

Fluid Filters

When using these filters, limit air pressure to pump to 100 psi (0.7 MPa, 7 bar)

213-063 Red Alert Fluid Filter

Max. working pressure: 300 psi (2 MPa, 2.04 bar). Max. flow: 20 gpm (75.7 lpm).

Inlet/outlet: 1-1/4 npt(f). 60 mesh.

240-221 Low Pressure Filter

Max. working pressure: 300 psi (2 MPa, 2.04 bar). Max. flow: 3 gpm (11.3 lpm).

Inlet/outlet: 3/4 npt(f). SST, 60 mesh.

231-414 SST Drum Agitator Package

Includes heavy duty agitator, siphon kit, drum cover and elevator.

Viscon² SST Fluid Heater

220-522 120V

220-523 240V

220-524 480V