



First choice when
quality counts.™

President 2:1 Hi-Flo Pump

- **Pressure output capacity of 360 psi (2.5 MPa, 25 bar)**
- **Excellent abrasion and corrosion resistance using Graco Severe Duty™ wear parts**
- **Large porting for excellent priming and handling of high viscosity fluids**
- **High volume displacement pump lower: few cycles per gallon, and long intervals between seal replacement**

**Reliable, low
shear 4-ball
paint circulating
pumps**

The best high volume, low pressure performers for circulating supply of light to medium viscosity fluids. Driven by the reliable President air motor which is life tested to 10,000,000 cycles, these high volume circulating pumps will allow you to handle larger flow requirements while operating at low cycle rates. This will extend pump life and minimize the intervals for maintenance and repair. Overall cost of ownership is reduced by this extended pump life. These are all great reasons for choosing High-Flo pumps for your circulating and transfer applications.

Typical Fluids Handled

Stainless steel models

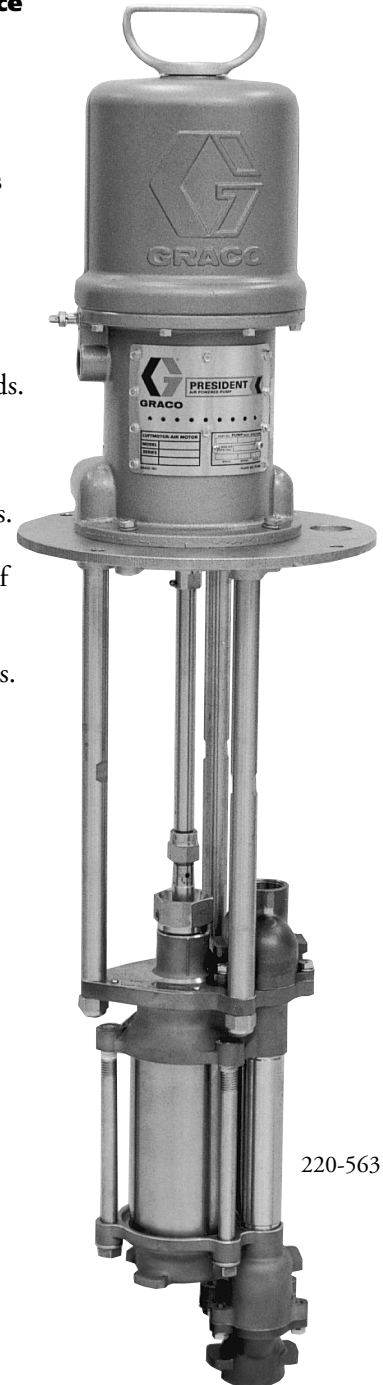
- Waterborne paints
- Acid catalyzed varnishes, enamels, and lacquers

Carbon steel models

- Solventborne paints

Typical Applications

- Paint circulation, supply and transfer



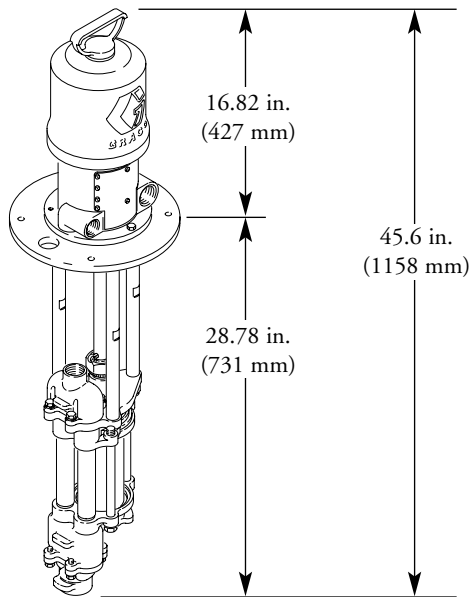
COMPONENTS

220-563

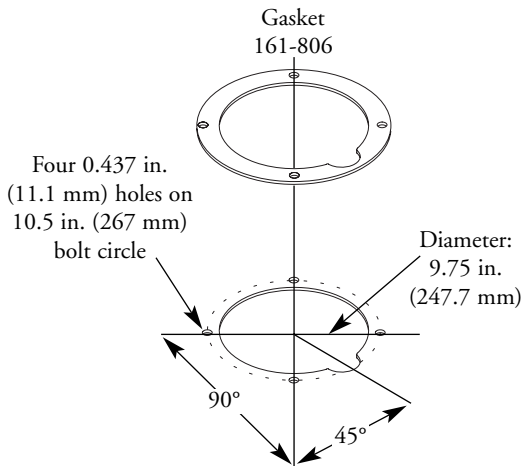
Technical Specifications

- Maximum working pressure . . . 360 psi (2.5 MPa, 25 bar)
- Maximum air input pressure . . 180 psi (1.2 MPa, 12 bar)
- Fluid flow at 60 cpm 14.6 gpm (55 lpm)
- Volume per cycle 31 oz (916 cc)
- Air inlet size 1/2 npt(f)
- Fluid inlet size 1-1/2 npt(f)
- Fluid outlet size 1 npt
- Weight
 - CS 66 lb (30 kg)
 - SST 59 lb (27 kg)
- Instruction manual 307-809

Dimensions

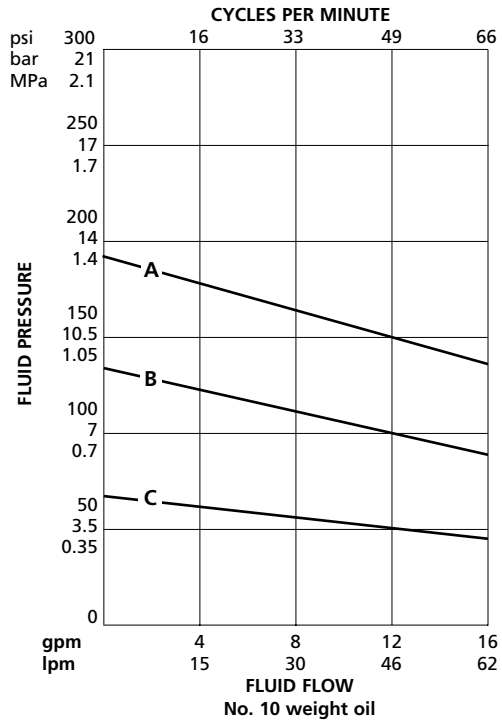


Mounting Hole Layout

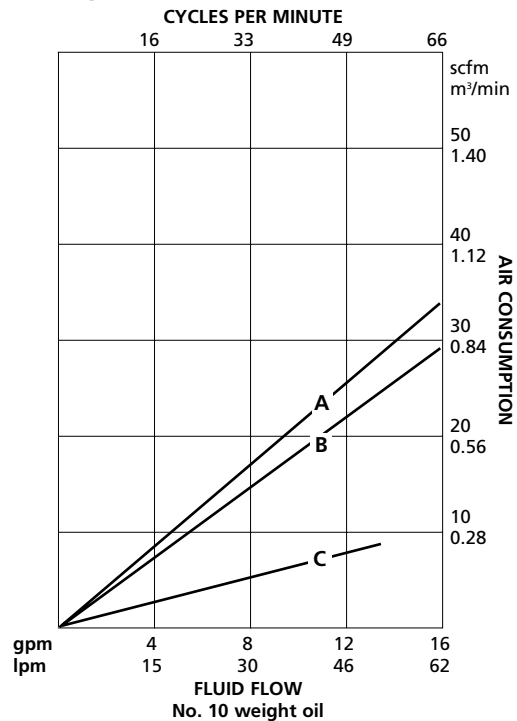


Performance Charts President 2:1

Fluid Pressure



Air Consumption



- Air Pressures:
- A = 100 psi (0.7 MPa, 7 bar)
 - B = 70 psi (0.48 MPa, 4.8 bar)
 - C = 40 psi (0.28 MPa, 2.8 bar)

Ordering Information for President 2:1 Hi-Flo Pump

Order number includes motor and pump lower assembly

Order Nos.	220-560	220-563
Pump Lower		
Part No.	220-549	220-555
Construction	CS	SST
Standard Seal Repair Kit		
Construction	220-588	220-588
	UHMWPE/Leather	UHMWPE/Leather
Motor		
	207-385: Repair Kit	

SERVICE PARTS INFORMATION

Pump Lower Part Nos.	220-549	220-555
Displacement Rod	181-898	181-898
Construction	SST	SST
Cylinder	181-900	183-048
Construction	CS	SST
Intake Valve (order separate part numbers)		
Intake Ball	101-968	101-968
Intake Valve Seat	181-686	181-686
Piston Valve (order separate part numbers)		
Piston Ball	110-259	110-259
Seat	183-095	183-095

COMPONENTS

Accessories

237-569 Ground Wire and Clamp

Bleed-Type Master Air Valve

Maximum working pressure: 300 psi (2.1 MPa, 21 bar)

107-141 Inlet and outlet: 3/4 npt(mxf)

107-142 Inlet and outlet: 1/2 npt(mxf)

207-651 Air Control Kit

Maximum working pressure: 300 psi (2.1 MPa, 21 bar)

Air Line Filter

Maximum working pressure: 250 psi (1.75 MPa, 7.5 bar)

106-149 Inlet and outlet: 1/2 npt(f)

106-150 Inlet and outlet: 3/4 npt(f)

224-040 Pump Runaway Valve

Maximum working pressure: 120 psi (0.8 MPa, 8.4 bar)

Inlet and outlet: 3/4 npt(f)

Air Line Lubricator

Maximum working pressure: 250 psi (1.75 MPa, 17.5 bar)

214-848 Inlet and outlet: 1/2 npt(f)

214-849 Inlet and outlet: 3/4 npt(f)

220-157 Medium Volume High-Flo Surge Tank

Inlet: 1 npt(f); outlet: 1-1/2 npt(f)

218-742 Mounting Stand Kit

For surge tank 220-157.

220-580 Riser Tube Kit

Adapts the pump outlet to motor level when drum mounted.

Fluid Supply Hose

Maximum working pressure: 500 psi (3.5 MPa, 35 bar)

1 in. ID, 1/2 npt(mbe)

220-997 Length: 2 ft. (0.6 m)

214-959 Length: 6 ft. (1.8 m)

220-581 Pump Floor Stand

207-872 Stationary Pump Stand

206-221 Pump Wall Bracket

110-335 Packing Nut Wrench

Throat Seal Liquid

206-995 1 quart (0.95 liter)

206-996 1 gallon (3.8 liter)

213-099 Siphon Tube Kit

Fluid Filters

When using these filters, limit air pressure to pump to 100 psi (0.7 MPa, 7 bar)

213-063 Red Alert Fluid Filter

Max. working pressure: 300 psi (2 MPa, 20.4 bar). Max. flow: 20 gpm (75.7 lpm).

Inlet/outlet: 1-1/4 npt(f). 60 mesh.

240-221 Low Pressure Filter

Max. working pressure: 300 psi (2 MPa, 2.04 bar). Max. flow: 3 gpm (11.3 lpm).

Inlet/outlet: 3/4 npt(f). SST, 60 mesh.

231-414 SST Drum Agitator Package

Includes heavy duty agitator, siphon kit, drum cover and elevator.

Viscon² SST Fluid Heater

220-522 120V

220-523 240V

220-524 480V