



# President 15:1 Pump

- **Pressure output capacity of 1800 psi (12.4 MPa, 124 bar)**
- **2-ball check pump operation for uniform flow**
- **Excellent abrasion and corrosion resistance using Graco SevereDuty™ wear parts**
- **Wetted parts of stainless steel to meet wide range of fluids**
- **Divorced air motor eliminates fluid and fume contamination, reducing maintenance**

## **Air Assisted Airless Pump for waterborne and high solids materials**

Graco's 15:1 President is ideal for air assisted airless applications of many types of materials across a number of markets like wood, general metal, aircraft, trucks, buses, recreational vehicles, and farm and construction equipment. The pump is frequently packaged with a heater to improve transfer efficiency and production quality. There are thousands of satisfied customers using these pumps worldwide. Driven by the reliable President air motor which is life tested to 10,000,000 cycles.

### **Typical Fluids Handled:**

- Plural and single component primers
- Single component sealers and topcoats
- Plural component top coats

### **Typical Applications:**

- Air assisted airless spray finishing



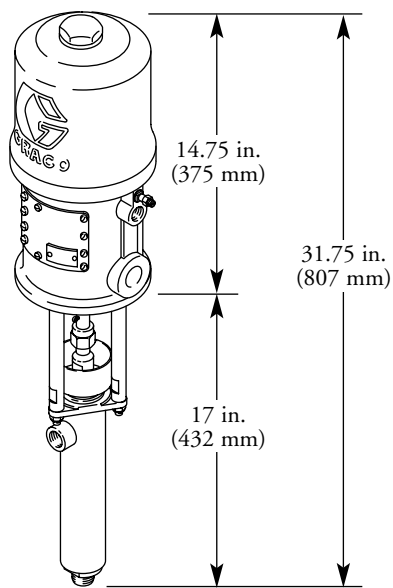
217-580

COMPONENTS

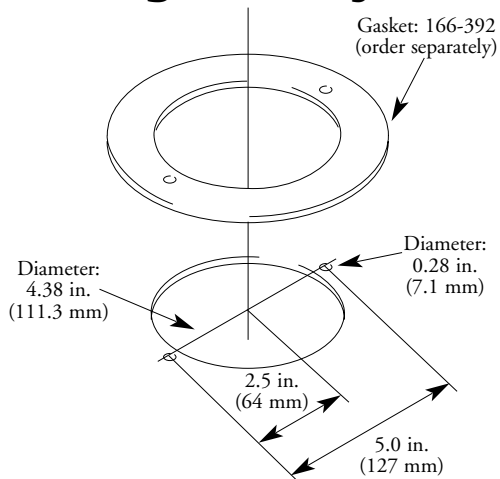
## Technical Specifications

Max. working pressure . . . . . 1800 psi (12.4 MPa, 124 bar)  
 Max. air input pressure . . . . . 120 psi (0.8 MPa, 8.4 bar)  
 Fluid Flow at 60 cpm . . . . . 1.8 gpm (6.8 lpm)  
 Volume per cycle . . . . . 3.8 oz (112 cc)  
 Air inlet size . . . . . 1/2 npt(f)  
 Fluid inlet size . . . . . 3/4 npt(m)  
 Fluid outlet size . . . . . 1/2 npt(f)  
 Weight . . . . . 31 lb (14 kg)  
 Instruction manual . . . . . 306-936

## Dimensions

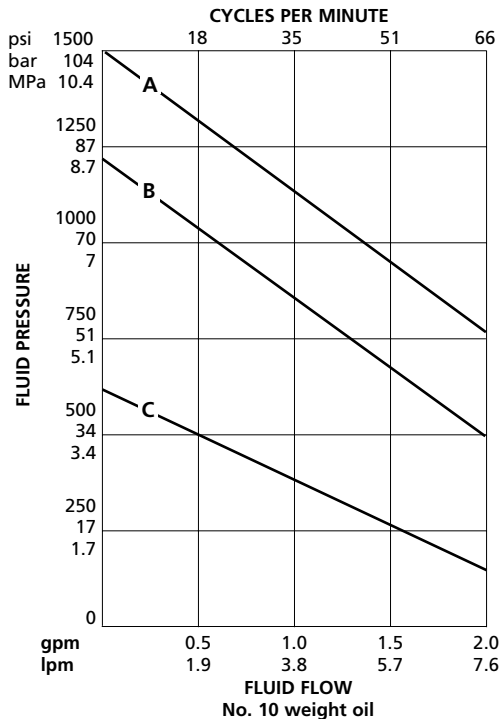


## Mounting Hole Layout

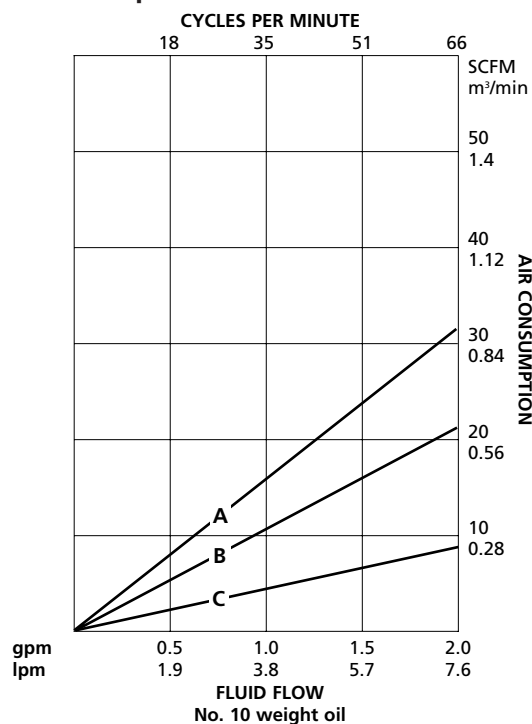


## Performance Charts President 15:1

### Fluid Pressure



### Air Consumption



Air Pressures:

- A = 100 psi (0.7 MPa, 7 bar)
- B = 70 psi (0.48 MPa, 4.8 bar)
- C = 40 psi (0.28 MPa, 2.8 bar)

# Ordering Information for President 15:1 Pump

Order number includes motor and pump lower assembly

<b>Order Nos.</b>	217-580
<b>Pump Lower</b>	
Part No.	217-529
Construction	Severe Duty
Standard Seal Repair Kit	235-634
Construction	Teflon®/Leather
Optional Seal Repair Kit	220-396
Construction	UHMWPE/Leather
<b>Motor</b>	
Repair Kit	207-385

## SERVICE PARTS INFORMATION

<b>Pump Lower Part Nos.</b>	217-529
Displacement Rod	178-895
Construction	SST
Cylinder	178-896
Construction	SST
<b>Intake Valve (order separate part numbers)</b>	
Intake Ball	101-859
Intake Valve Seat	207-357
<b>Piston Valve (order separate part numbers)</b>	
Piston Ball	101-822
Seat	207-356
Ball Guide	183-021

## Accessories

### 237-569 Grounding Clamp & Wire

Length: 25 ft (7.6 m), 12 gauge (1.5 mm<sup>2</sup>)

### 107-142 Bleed-type Master Air Valve

Max. working pressure: 300 psi (2.1 MPa, 21 bar).  
Inlet: 1/2 npt(m) x outlet: 1/2 npt (f)

### 106-149 Air Line Filter

Max. working pressure: 250 psi (1.75 MPa, 17.5 bar).  
Inlet and outlet: 1/2 npt(f).

### 214-848 Air Line Lubricator

Max. working pressure: 250 psi (1.75 MPa, 17.5 bar).  
Bowl capacity: 8 oz. (0.24 liter).  
Inlet and outlet: 1/2 npt(f).

### 202-858 Air Regulator

Maximum working pressure: 300 psi (2.1 MPa, 21 bar).  
Regulated pressure range: 0-250 psi, (0-1.8 MPa, 0-18 bar). Inlet: 3/8 npt(f); outlet: 1/2 npt(f).

### 224-040 Pump Runaway Valve

Maximum working pressure: 120 psi (0.84 MPa, 8.4 bar).  
Inlet and outlet: 3/4 npt(f).

### Fluid Drain Valve

Maximum working pressure: 5000 psi (35 MPa, 350 bar) .

**210-657** 1/4 npt (mbe)

**210-658** 3/8 npt (mbe)

**210-659** 1/4 npt x 3/8 npt (mbe)

### 223-160 Fluid Filter

Maximum working pressure: 5000 psi (35 MPa, 350 bar). Screen: 60 mesh (250 micron), SST.

### Replacement Fluid Filter Screens

For fluid filter 223-160. Three per pack.

**238-443** 30 mesh

**238-445** 60 mesh

**238-447** 100 mesh

### Viscon<sup>2</sup> Fluid Heater, SST

Maximum working pressure: 4000 psi (27.6 MPa, 276 bar)

**220-522** 120V

**220-523** 240V

**220-524** 480V

### 238-890 Fluid Regulator, SST

Regulated pressure range: 500-3000 psi  
(3.5-20.7 MPa, 35-207 bar)

### Grounded Nylon Fluid Hose

Maximum working pressure: 3000 psi (21 MPa, 210 bar).

Part No.	ID	Length
<b>214-700</b>	3/16 in. (5 mm)	2 ft. (0.6 m)
<b>214-701</b>	3/16 in. (5 mm)	3 ft. (0.9 m)
<b>223-540</b>	1/4 in. (6.3 mm)	25 ft. (7.6 m)
<b>223-541</b>	1/4 in. (6.3 mm)	50 ft. (15.2 m)
<b>214-703</b>	3/8 in. (9.5 mm)	25 ft. (7.6 m)
<b>214-705</b>	3/8 in. (9.5 mm)	50 ft. (15.2 m)
<b>214-920</b>	3/8 in. (9.5 mm)	100 ft. (30.4 m)

### Grounded Air Hose, Buna-S

Maximum working pressure: 175 psi (1.2 MPa, 12 bar).

Part No.	ID	Length	Thread
<b>205-418</b>	1/2 in. (13 mm)	6 ft. (1.8 m)	1/2 npt(m)
<b>205-273</b>	1/2 in. (13 mm)	25 ft. (7.6 m)	1/2 npt(m)
<b>208-594</b>	1/2 in. (13 mm)	50 ft. (15.2 m)	1/2 npt(m)

### Graco Throat Seal Liquid

**206-995** 1 quart (0.95 liter)

**206-996** 1 gallon (3.8 liter)

### 207-365 Wall Bracket

### 214-961 Suction Hose, Neoprene

Maximum working pressure: 500 psi (3.5 MPa, 35 bar).  
Length: 6 ft. (1.8 m). Coupled 3/4 npt (mbe).

### 206-266 55 Gallon (200 liter) Suction Tube

### 231-414 SST Drum Agitator Package

Includes heavy duty agitator, cover, siphon kit and elevator.