



First choice when
quality counts.™

President 10:1 Pump

- **Pressure output capacity of 1800 psi (12.5 MPa, 125 bar)**
- **2-ball check pump operation for uniform flow**
- **Excellent abrasion and corrosion resistance using Graco Severe Duty™ wear parts**
- **Divorced air motor eliminates fluid and fume contamination, reducing maintenance**

Durable, and economical medium pressure pump for light to medium viscosity materials like texture, adhesives and sealants, water (cleaning applications), polyester, and other materials. There are thousands of satisfied customers using these pumps worldwide. Driven by the reliable President air motor which is life tested to 10,000,000 cycles.

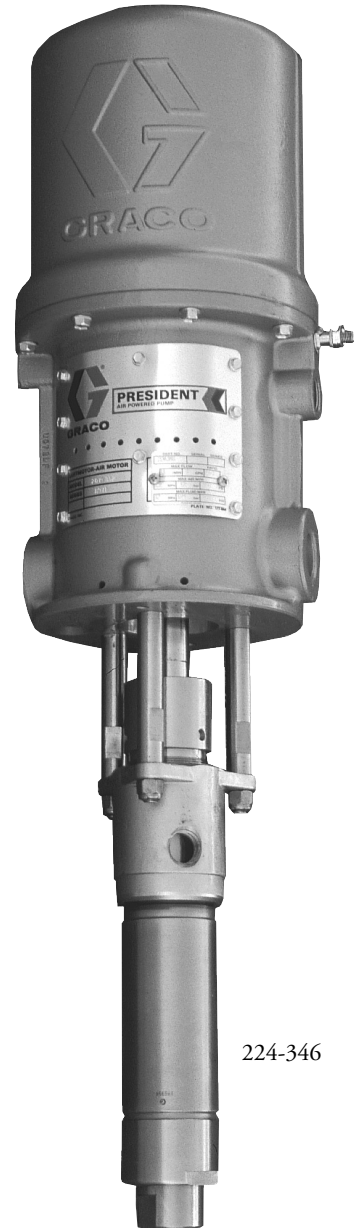
**Reliable
medium pressure
supply pump**

Typical Fluids Handled:

- Texture materials
- Adhesives and sealants
- Polyester
- Water

Typical Applications:

- Texture spraying
- Adhesive supply
- Cleaning



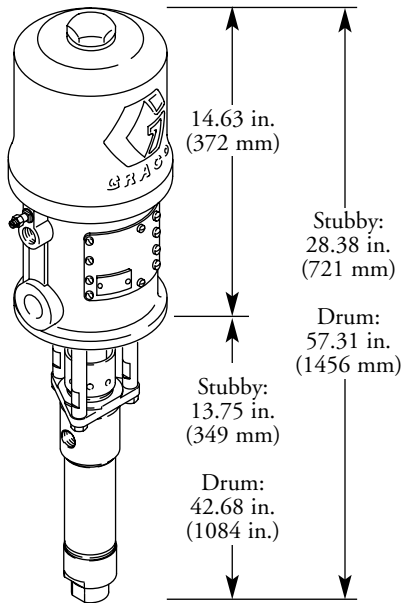
COMPONENTS

224-346

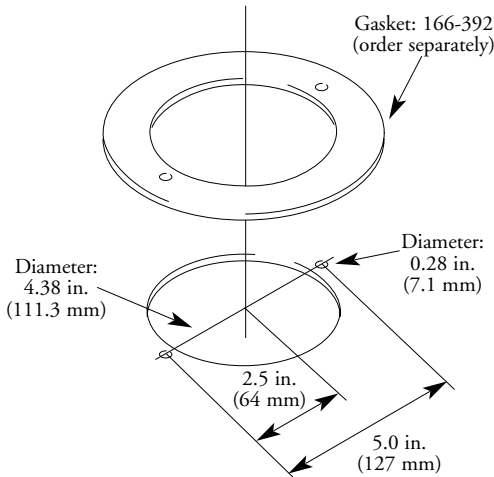
Technical Specifications

- Max. working pressure 1800 psi (12.5 MPa, 125 bar)
- Max. air input pressure 180 psi (1.25 MPa, 12.5 bar)
- Fluid Flow at 60 cpm 3 gpm (11.4 lpm)
- Volume per cycle 6.4 oz (189 cc)
- Air inlet size 1/2 npt(f)
- Fluid inlet size 3/4 npt(f)
- Fluid outlet size
 - 224-346 1/2 npt(f)
 - 224-347 3/4 npt(f)
- Weight
 - 224-346, 224-347 31 lb (14 kg)
 - 224-348 43 lb (19.5 kg)
- Instruction manuals
 - 224-346, 224-347 308-117
 - 224-348 308-118

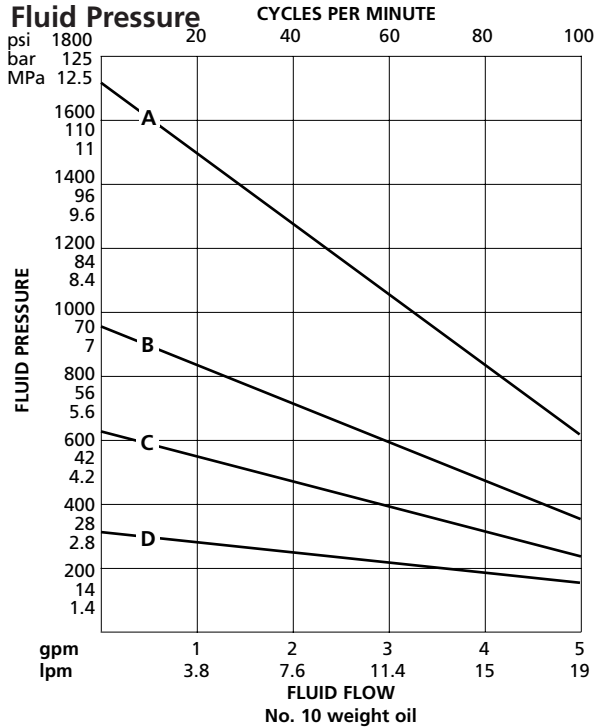
Dimensions



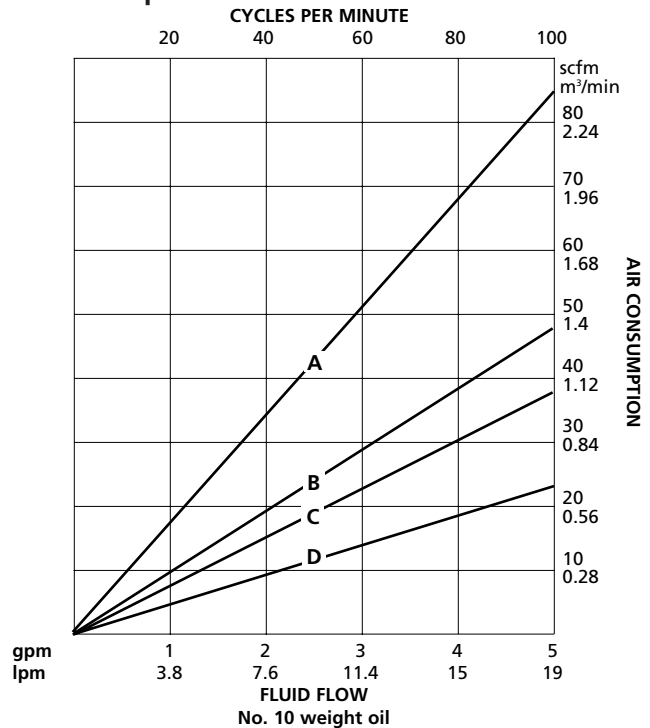
Mounting Hole Layout



Performance Charts President 10:1



Air Consumption



- Air Pressures:
- A = 180 psi (1.2 MPa, 12 bar)
 - B = 100 psi (0.7 MPa, 7 bar)
 - C = 70 psi (0.48 MPa, 4.8 bar)
 - D = 40 psi (0.28 MPa, 2.8 bar)

Ordering Information for President 10:1 Pump

Order number includes motor and pump lower assembly

Order Nos.	Stubby		Drum
	224-346	224-347	224-348
Pump Lower			
Part No.	224-344	224-344*	224-349
Construction	SST	SST	SST
Standard Seal Repair Kits	224-402	224-402	224-403
Construction	Neoprene/UHMWPE	Neoprene/UHMWPE	Teflon®/UHMWPE
Optional Seal Repair Kits	224-404	224-404	224-889
Construction	Teflon/UHMWPE	Teflon/UHMWPE	Teflon
Motor			
Repair Kit	207-385	207-385	207-385

SERVICE PARTS INFORMATION

Pump Lower Part Nos.	224-344	224-344	224-349
Displacement Rod	186-997	186-997	186-997
Construction	SST	SST	SST
Cylinder	186-994	186-994	186-986
Construction	SST	SST	SST
Intake Valve (order separate part numbers)			
Intake Ball	101-917	101-917	101-968
Intake Valve Seat	186-992	186-992	186-991
Piston Valve (order separate part numbers)			
Piston Ball	101-917	101-917	101-917
Seat	186-993	186-993	186-993

*President 10:1 pump with riser tube.

Teflon® is a registered trademark of Du Pont.

Accessories

237-569 Grounding Clamp and Wire

Length: 25 ft (7.6 m), 12 gauge (1.5 mm²)

107-142 Bleed-type Master Air Valve

Maximum working pressure: 300 psi (2.1 MPa, 21 bar).

Inlet: 1/2 npt(m) x outlet: 1/2 npt(f).

106-149 Air Line Filter

Max. working pressure: 250 psi (1.75 MPa, 17.5 bar).

Inlet and outlet: 1/2 npt(f).

214-848 Air Line Lubricator

Max. working pressure: 250 psi (1.75 MPa, 17.5 bar).

Bowl capacity: 8 oz. (0.24 liter).

Inlet and outlet: 1/2 npt(f).

104-266 Air Regulator

Maximum working pressure: 300 psi (2.1 MPa, 21 bar).

Regulated pressure range: 0-250 psi, (0-1.8 MPa,

0-18 bar). Inlet and outlet: 1/2 npt(f).

224-040 Pump Runaway Valve

Maximum working pressure: 120 psi (0.84 MPa, 8.4 bar).

Inlet and outlet: 3/4 npt(f).

223-160 Fluid Filter, Stainless Steel

Maximum working pressure: 5000 psi (35 MPa, 350 bar).

Screen: 60 mesh (250 micron).

Replacement Filter Screens

For fluid filter 223-160, 3 per pack.

238-443 30 mesh

238-445 60 mesh

238-447 100 mesh

Graco Throat Seal Liquid

206-995 1 quart (0.95 liter)

206-996 1 gallon (3.8 liter)

207-365 Wall Bracket

Grounded Buna-S Air Hose, 1/2 in. ID (1.3 cm)

Maximum working pressure: 175 psi (1.2 MPa, 12 bar)

1/2 in. ID (1.3 cm). 1/2 npt(m).

Part No.	Length
205-418	6 ft. (1.8 m)
205-273	25 ft. (7.6 m)
208-594	50 ft. (15.2 m)

Grounded Nylon Fluid Hose

Maximum working pressure: 3000 psi (21 MPa, 210 bar)

Part No.	ID	Length
214-700	3/16 in. (5 mm)	2 ft. (0.6 m)
214-701	3/16 in. (5 mm)	3 ft. (0.9 m)
223-540	1/4 in. (6.3 mm)	25 ft. (7.6 m)
223-541	1/4 in. (6.3 mm)	50 ft. (15.2 m)
214-703	3/8 in. (9.5 mm)	25 ft. (7.6 m)
214-705	3/8 in. (9.5 mm)	50 ft. (15.2 m)
214-920	3/8 in. (9.5 mm)	100 ft. (30.4 m)

Fluid Drain Valves

Maximum working pressure: 5000 psi (35 MPa, 350 bar)

210-657 1/4 npt(mbe)

210-658 3/8 npt(mbe)

210-659 1/4 npt x 3/8 npt(mbe)

231-414 SST Drum Agitator Package

Includes heavy duty agitator, cover, siphon kit and elevator.