



GRACO
First choice when
quality counts.™

Premier® 45:1 Air-Powered Pump

- **High pressure and high fluid flow per cycle increases your production and reduces rod and cylinder wear**
- **SevereDuty™ rod and cylinder handles abrasive coatings**
- **Exclusive air valve design minimizes ice-related downtime**
- **Simple design makes fluid pump repairs easy and fast**

Graco's Premier 45:1 pump delivers consistent high pressure and delivers it fast. Operators get pressure up to 4500 psi (31 MPa, 310 bar) and flow rates up to 6.9 gpm (26.1 lpm), to complete large jobs faster. With the Premier's consistent high pressure you can spray everything from zinc-rich primers to epoxy mastics.

Forget about performance fall-off or stoppage due to ice build-up. The patented Premier air motor and built-in air pump moves warm air across the four-way air valve outlet to reduce ice build-up. Even with dirty non-lubricated air, you'll get continuous operation with Premier's reliable four-way slide valve.

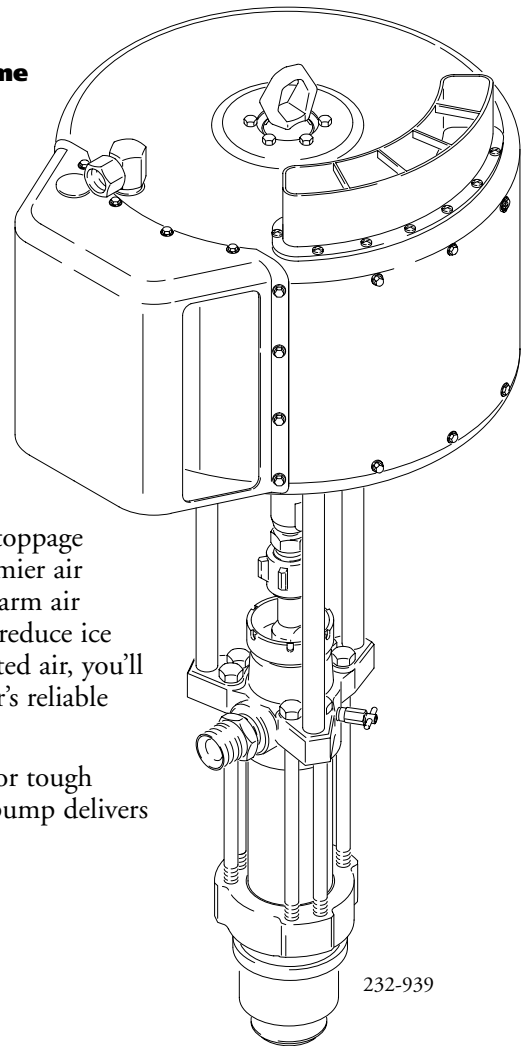
When the job requires high pressure for tough fluid materials, Graco's Premier 45:1 pump delivers the performance you need.

Typical Fluids Handled

- Paints and coatings
- Sealers
- Water

Typical Applications

- Auto body sealer pressure boosting
- High pressure mastic extruding
- High pressure cleaning



COMPONENTS

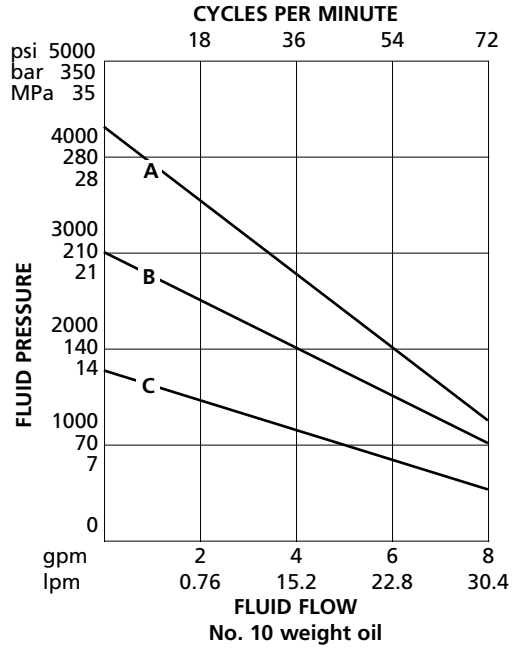
**Tough
equipment that
lasts, even in
the harshest
conditions**

Technical Specifications

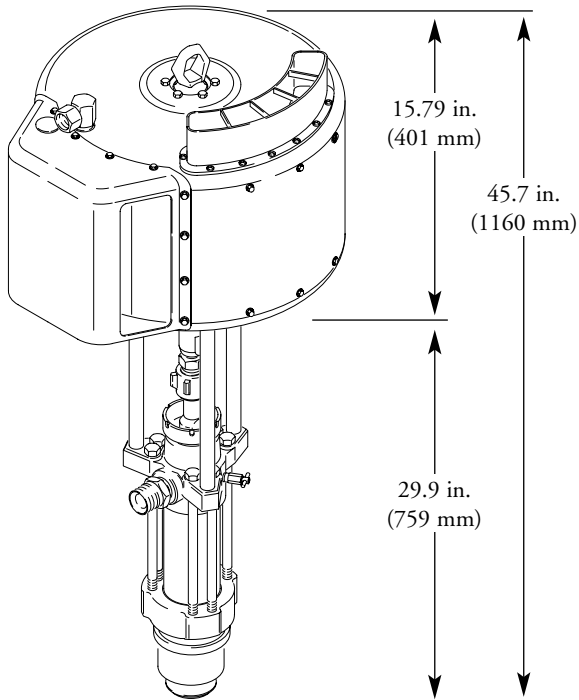
Maximum fluid pressure 4500 psi (31 MPa, 310 bar)
Maximum air input pressure . . . 100 psi (0.7 MPa, 7 bar)
Fluid Flow at 60 cpm 6.9 gpm (26.1 lpm)
Volume per cycle 14.7 oz (434.6 cc)
Air inlet size 3/4 npsm(f)
Fluid inlet size 2 npt(f)
Fluid outlet size 1-1/2 npt(m)
Weight 240 lb (109 kg)
Instruction manual 308-147, 308-148

Performance Charts for Premier 45:1

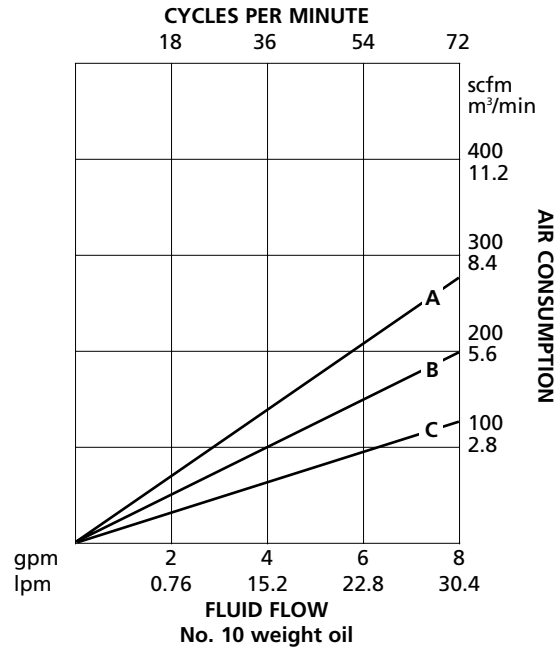
Fluid Pressure



Dimensions



Air Consumption



Ordering Information for Premier 45:1 Pump

Order number includes motor and pump lower assembly

Order Nos.	222-939	237-555
Pump Lower		
Part No.	222-805	222-796
Construction	SST	CS
Standard Seal Repair Kit	222-845	222-849
Construction	UHMWPE/Teflon®	Teflon/Leather
Optional Seal Repair Kits	222-846	222-845
Construction	Teflon	UHMWPE/Teflon
	222-848	222-848
	UHMWPE/Leather	UHMWPE/Leather
Motor		
222-958: Repair Kit		

SERVICE PARTS INFORMATION

Pump Lower Part Nos.	222-805	222-796
Displacement Rod	184-276	184-276
Construction	SST	SST
Cylinder	184-461	184-461
Construction	SST	SST
Intake Valve (order separate part numbers)		
Intake Ball	110-294	102-974
Intake Valve Seat	222-838	222-794
Piston Valve (order separate part numbers)		
Piston Ball	109-219	102-973
Seat	222-795	222-795
Ball Guide	184-283	184-283

Teflon® is a registered trademark of Du Pont.

Accessories

107-141 Bleed-Type Master Air Valve

Maximum working pressure: 300 psi (2.1 MPa, 21 bar)

106-150 Air Line Filter

Maximum working pressure: 250 psi (1.75 MPa, 17.5 bar)

214-849 Air Line Lubricator

Maximum working pressure: 250 psi (1.75 MPa, 17.5 bar)

224-040 Pump Runaway Valve

Maximum working pressure: 120 psi (0.8 MPa, 8.4 bar)

207-651 Air Pressure Regulator Kit

Maximum working pressure: 300 psi (2.1 MPa, 21 bar)

Grounded Buna-N Air Hose

Maximum working pressure: 175 psi (1.2 MPa, 12 bar)

ID: 3/4 in. (19 mm). Thread size: 3/4 npt(m)

Part No.	Length
208-610	6 ft (1.8 m)
205-548	15 ft (4.5 m)
208-611	25 ft (7.6 m)
208-612	50 ft (15.2 m)

237-569 Ground Wire and Clamp

Length: 25 ft. (7.6 m), 12 gauge (1.5 mm²)

Fluid Drain Valve

Maximum working Pressure: 5000 (35 MPa, 350 bar). CS.

210-657 1/4 npt(mbe)

210-658 3/8 npt(mbe)

210-659 1/4 npt x 3/8 npt(mbe)

214-625 Fluid Filter

Maximum working pressure: 5000 psi (35 MPa, 350 bar)

Stainless Steel Filter Screens (3 pack)

238-435 30 mesh (595 micron)

238-437 60 mesh (250 micron)

238-439 100 mesh (149 micron)

238-441 200 mesh (75 micron)

Grounded Nylon Fluid Hose

Maximum working pressure: 5000 psi (34.5 MPa, 345 bar)

Part No.	ID	Length	Thread
214-700	3/16 in (5 mm)	2 ft (0.6 m)	1/4 npsm(f)
214-912	1/4 in (6 mm)	3 ft (0.9 m)	1/4 npsm(f)
214-914	1/4 in (6.3 mm)	25 ft (7.6 m)	1/4 npsm(f)
214-915	1/4 in (6.3 mm)	50 ft (15.2 m)	1/4 npsm(f)
215-244	3/8 in (9.5 mm)	25 ft (7.6 m)	3/8 npt(m)
238-396	3/8 in (9.5 mm)	50 ft (15.2 m)	3/8 npt(m)

Airless Spray Guns

Maximum working pressure: 5000 psi (35 MPa, 350 bar)

235-462 For fine finish

235-460 For medium viscosity fluids

235-461 For medium viscosity fluids

235-463 For medium viscosity fluids

Gun Swivels

Maximum working pressure: 5000 psi (35 MPa, 350 bar)

Part No.	Packings	OD	ID
214-926	Leather	1/2 npsm(f)	3/8 npt(f)
214-925	Leather	1/4 npsm(f)	3/8 npt(f)

206-221 Wall Mounting Bracket

224-043 Heavy Duty Portable Cart

222-699 Floor Stand Kit

222-916 Suction Kit

184-545 Pump Extension Tube

222-955 Anti-Seize Lubricant

Graco Throat Seal Liquid

206-995 1 quart (0.95 liter)

206-996 1 gallon (3.8 liter)