

PRO 5500sc™

Automatic Electrostatic Air Spray Gun

The PRO 5500sc is an automatic electrostatic air spray gun for use with reciprocators, robotic positioners or fixed mounting. It is adaptable for replacement of virtually any automatic air spray device.

Self-Contained, Self-Generating Power Source

Graco's patented PRO Power™ technology employs an internal air-driven turbine to supply the electrostatic charge. No external electrical cables are required, simplifying installation. The PRO 5500sc is approved for use in hazardous locations.

Modular Design for Flexibility

To simplify installation and maintenance, the PRO 5500sc gun assembly consists of four components: the gun, the gun manifold, the gun shroud and the mounting bracket.

The gun manifold is attached to a universal reciprocator mount and is easily fitted to virtually any automatic finishing machine. Can easily be mounted to most common finishing robotic applications. Air hoses and fluid lines are connected to the manifold so they do not need to be disconnected when removing the gun. By loosening four screws, the gun can be separated from the manifold for quick maintenance or replacement.

The outer plastic shroud covers and protects the gun, reducing wrapback and shielding working parts. The shroud is easily removed when necessary.

Remote Controls for Maximum Flexibility

Fan air and atomizing air are independently valved for finer control. Gun actuation requires only a single control signal, which provides proper fluid to air timing. A remote-controlled voltage selection switch lowers the voltage when needed, from 85 kV down to a user-preselected low setting between 45-80 kV (factory preset at 60 kV).

Typical Fluids Handled

- solvent-based, general purpose coatings
- medium to high solids coatings
- baking enamels
- epoxy-, alkyd-, polyester-based paints

Typical Applications

- automotive assembly
- automotive components
- fabricated metal finishing
- metal furniture
- metal office furniture and cabinets



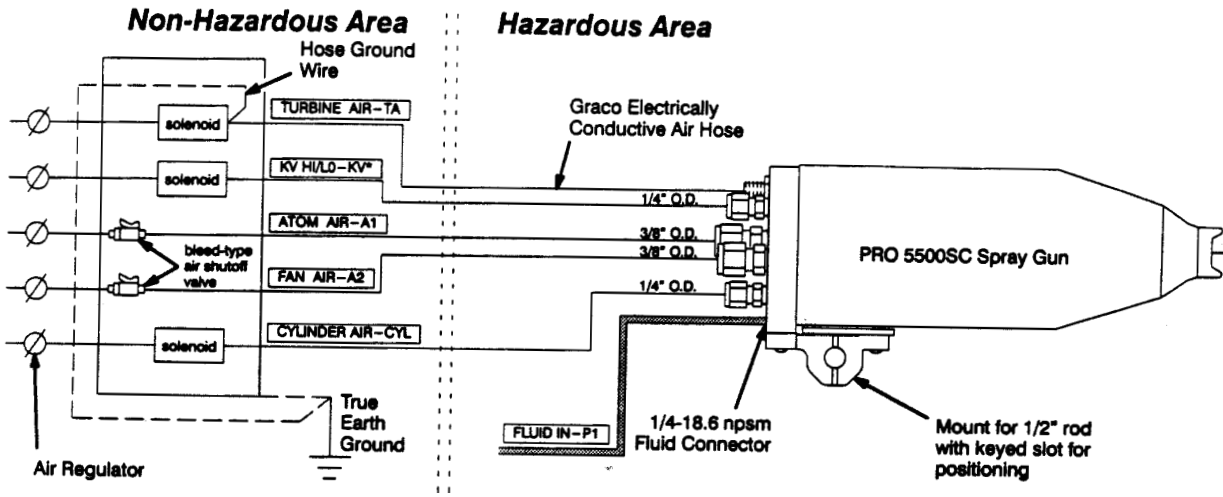
PRO 5500sc – Front



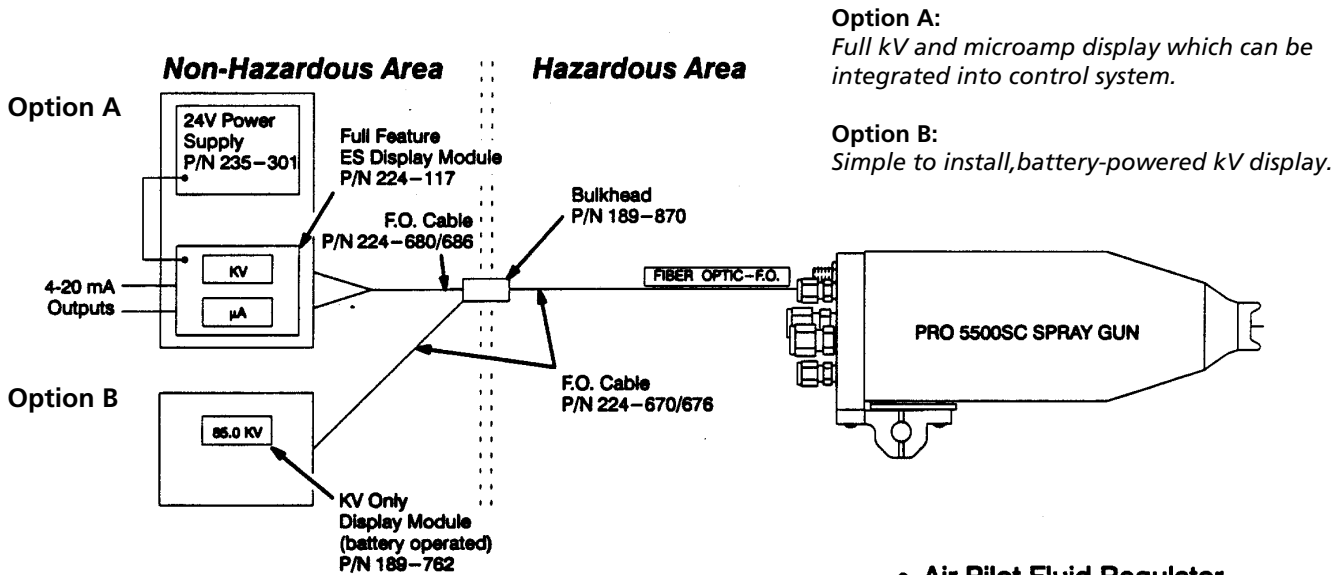
PRO 5500sc – Back

- **Designed for medium to high solids coatings**
- **Max. fixed voltage 85 kV, selectable cutback voltage range 45-80kV**
- **It's unique internal power supply makes the gun simple to install**
- **Modular construction for easy servicing**

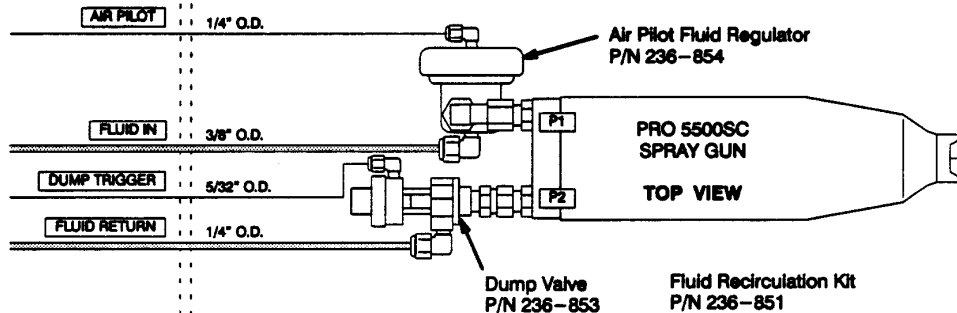
Typical Installation – Basic System



System Options Spraying Voltage and Display Module



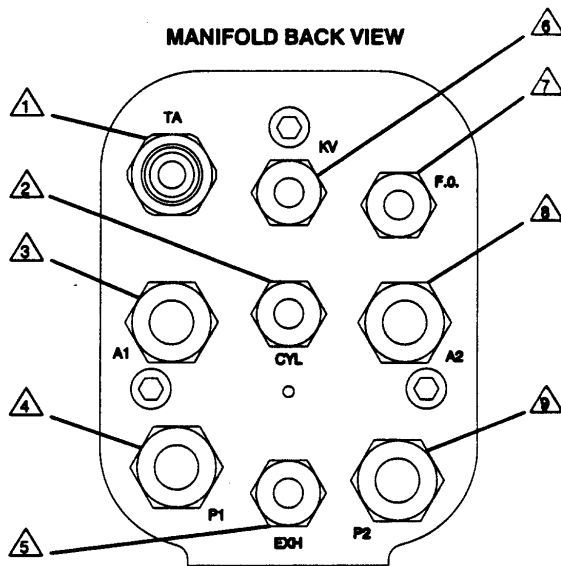
- Air Pilot Fluid Regulator
- Dump Valve



Technical Specifications

- Maximum fluid pressure**..... 100 psi (7 bar)
Air pressure operating range 40–100 psi (2.6–7 bar)
Fluid inlet ¼–18.6 npsm(m)
Maximum voltage 85 kV
Maximum current..... 120 µA
Air inlets (fittings are included with gun)
 atomizing air ¾ in. O.D. nylon tube
 fan air ¾ in. O.D. nylon tube
 cylinder pilot..... ¼ in. O.D. nylon tube
 Hi-Lo voltage selector ¼ in. O.D. nylon tube
Length 12¼ in. (31.1 cm)
Mounting distance
 mounting rod to nozzle tip..... 9½ in. (23.6 cm)
 fits mounting rod ½ in. (12.7 mm)
Weight (including gun, manifold and
 mounting bracket) 3.57 lbs (1.62 kg)
Instruction manual (gun)..... 308-385
Instruction manual (E/S display module)..... 308-265

Gun Controls



1. Turbine Air Inlet
2. Cylinder Air Inlet
3. Atomization Air Inlet
4. Fluid Supply Inlet
5. Shroud Exhaust
6. KV Select
7. Fiber Optic
8. Fan Air Inlet
9. Fluid Return

Gun Selection

- 236-683 PRO 5500sc Automatic Electrostatic Air Spray Gun**
Includes gun shroud, mounting bracket, gun manifold and gun with 1.5 mm fluid nozzle (185-158) and air cap (177-033). Inlet air fittings are included.

Air Hose Available (required for use)

Length	Black	Grey	Red
6 ft. (1.8 m)	220-444	223-068	235-068
15 ft. (4.6 m)	218-100	223-069	235-069
25 ft. (7.6 m)	218-101	223-070	235-070
36 ft. (11 m)	218-102	223-071	235-071
50 ft. (15.2 m)	218-103	223-072	235-072
75 ft. (23 m)	220-119	223-073	235-073
100 ft. (30.5 m)	220-120	223-074	235-074

Black Hose:

Standard hose with semi-conductive nylon core, urethane outer.

Grey Hose:

Extra flexibility over black hose. Modified semi-conductive polyamide core, urethane cover (less durable than black hose).

Red Hose:

Conductive SST wire braid for grounding. Polyurethane tube and cover.

- 185-493 Air Hose Adaptor Nipple**
This adaptor allows for the connection of multiple air hose as needed for the special grounded PRO air hose. ¼" npsm (L.H.) x ¼" npsm.

Accessories

Fiber Optic Cable Assembly

For connection between gun manifold and display module or between bulkhead connector and display module. *Other lengths available. See Instruction Manual 308-265.*

Part No.	Length
224-682	25 ft. (7.6 m)
224-684	50 ft. (15 m)
224-686	100 ft. (30.5 m)

224-117 E/S Display Module

Receives fiber optic transmission from the PRO 5500sc gun and displays the gun's output voltage and current. Mounts in a standard 19 in. DIN rack.

Refer to Instruction Manual 308-265.

235-301 Power Supply

Used to supply low voltage D.C. power to 224-117 E/S Display Module.

Refer to Instruction Manual 308-265.

189-762 Remote Voltage Display

Battery-operated meter displays actual spraying voltage. Remote mount outside hazardous area. Connects to gun via fiber optic cable.

Refer to Instruction Manual 308-265.

236-917 KV Display Kit

Includes remote voltage display (189-762) and 25 ft. (7.6 m) fiber optic cable.

236-919 Same as 236-917 with 50 ft. (15 m) fiber optic cable.

236-921 Same as 236-917 with 100 ft. (30.5 m) fiber optic cable.

236-851 Fluid Recirculation Kit

Attaches to gun to recirculate fluid to the gun barrel.

236-853 Dump Valve

Mounts directly to manifold for faster flushing and color changes.

236-854 Fluid Regulator

Air-piloted fluid regulator mounts at manifold for precise fluid control.