



King 28:1 Pump

- **Higher pressure ratio for higher flows, longer hose lengths and better atomization**
- **More durable than ever before with longer life packing design**
- **Improved serviceability with fewer parts for fast repairs and lower overall maintenance and ownership costs**

**For durability,
power and
reliability under
tough working
conditions**

Graco's medium pressure King 28:1 air-powered pump is popular in the industry because of its high flow capability for supplying multi-gun airless and air-assisted systems.

The 28:1 pressure ratio produces sufficient pressure to atomize most medium viscosity paints and coatings, using airless or air-assisted applications.

Downtime is minimized by an air motor design that has been developed and tested for more than 10 million cycles of operation.

Typical Fluids Handled

- Solventborne paints and coatings
- Waterborne paint and coatings

Typical Applications

- Airless spray systems
- Air assisted airless spray systems



COMPONENTS

222-837

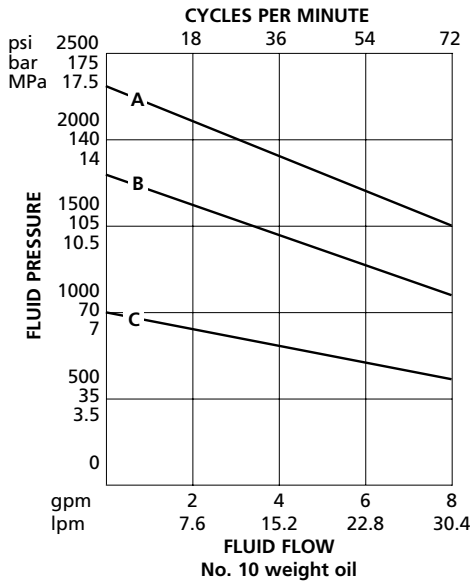
Technical Specifications

Max. fluid working pressure . . . 2520 psi (17.6 MPa, 176 bar)
Maximum air input pressure 90 psi (0.6 MPa, 6 bar)
Fluid Flow at 50 cpm 5.8 gpm (21.8 lpm)
Volume per cycle 14.2 oz (420 cc)
Air inlet size 3/4 npsm(f)
Fluid inlet size 2 npt(f)

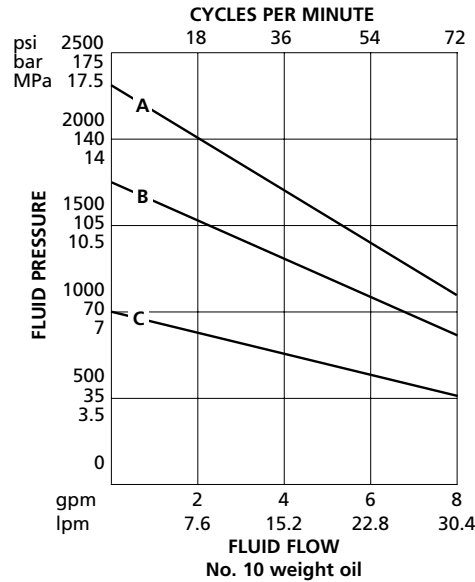
Fluid outlet size 1-1/2 npt(m)
Weight 152 lb (69 kg)
Instruction manuals
Carbon steel 308-147
Stainless steel 308-148

Performance Charts for King 28:1 Pump

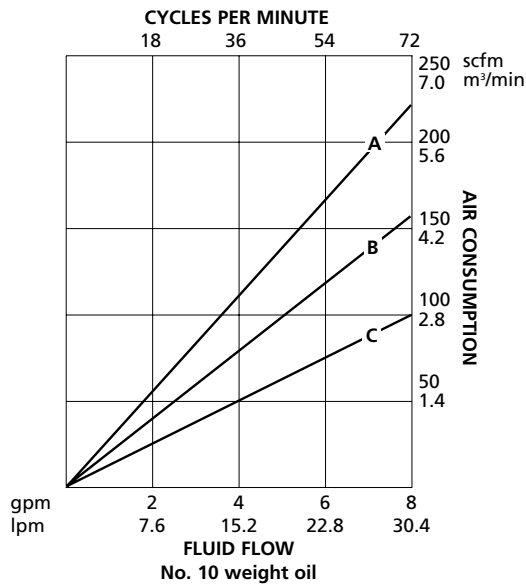
Standard Air Motor Fluid Pressure



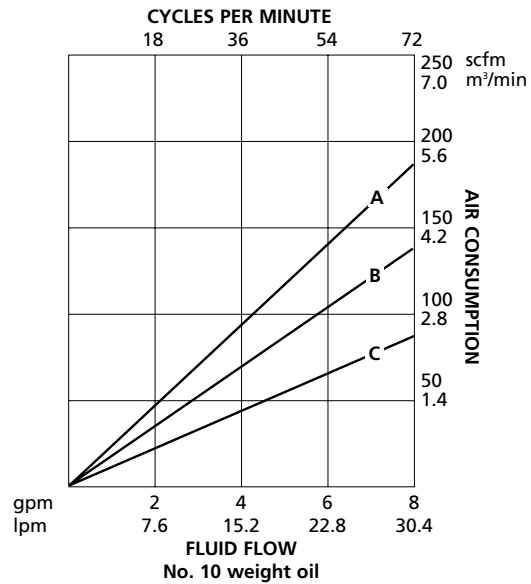
Quiet Air Motor Fluid Pressure



Standard Air Motor Air Consumption



Quiet Air Motor Air Consumption



Ordering Information for King 28:1 Pump

Order number includes motor and pump lower assembly

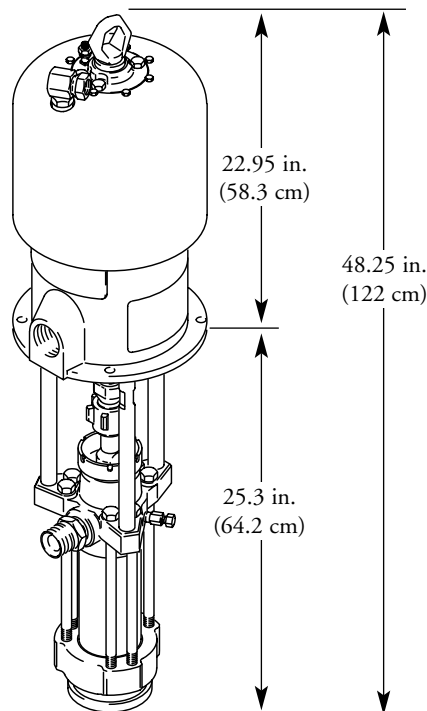
Order Nos.	222-837	222-891	222-896	222-895
Pump Lower				
Part No.	222-796	222-796	222-805	222-805
Construction	CS	CS	SST	SST
Standard Packing Kits	222-849	222-849	222-845	222-845
Construction	Teflon®/Leather	Teflon/Leather	Teflon/UHMWPE	UHMWPE/Leather
Optional Packing Kits Available	222-845	222-845	222-846	222-846
Construction	Teflon/UHMWPE	Teflon/UHMWPE	Teflon	Teflon
	222-848	222-848	222-848	222-848
	UHMWPE/Leather	UHMWPE/Leather	UHMWPE/Leather	UHMWPE/Leather
Motor				
Repair Kit	207-730	220-153	207-730	220-153

SERVICE PARTS INFORMATION

Pump Lower Part Nos.	222-796	222-796	222-805	222-805
Displacement Rod	184-276	184-276	184-276	184-276
Construction	SST	SST	SST	SST
Cylinder	184-461	184-461	184-461	184-461
Construction	SST	SST	SST	SST
Intake Valve (order separate part numbers)				
Intake Ball	102-974	102-974	110-294	110-294
Intake Valve Seat	222-794	222-794	222-838	222-838
Piston Valve (order separate part numbers)				
Piston Ball	102-973	102-973	109-219	109-219
Seat	222-795	222-795	222-795	222-795

Teflon® is a registered trademark of Du Pont.

Dimensions



Accessories

224-040 Pump Runaway Valve

Maximum working pressure: 120 psi (0.8 MPa, 8.4 bar)

107-141 Bleed-Type Master Air Valve

Maximum working pressure: 300 psi (2.1 MPa, 21 bar)

106-150 Air Line Filter

Maximum working pressure: 250 psi (1.75 MPa, 17.5 bar)

214-849 Air Line Lubricator

Maximum working pressure: 250 psi (1.75 MPa, 17.5 bar)

207-651 Air Pressure Regulator Kit

Maximum working pressure: 300 psi (2.1 MPa, 21 bar)

Grounded Buna-N Air Hose

Maximum working pressure: 175 psi (1.2 MPa, 12 bar)

ID: 3/4 in. (19 mm). Thread size: 3/4 npt(m)

Part No.	Length
208-610	6 ft (1.8 m)
205-548	15 ft (4.5 m)
208-611	25 ft (7.6 m)
208-612	50 ft (15.2 m)

237-569 Ground Wire and Clamp

Length: 25 ft. (7.6 m), 12 gauge (1.5 mm²)

Fluid Drain Valve

Maximum working Pressure: 5000 (35 MPa, 350 bar). CS.

210-657 1/4 npt(mbe)

210-658 3/8 npt(mbe)

210-659 1/4 npt x 3/8 npt(mbe)

214-625 Fluid Filter

Maximum working pressure: 5000 psi (35 MPa, 350 bar)

Stainless Steel Filter Screens, 3 pack

238-435 30 mesh (595 micron)

238-437 60 mesh (250 micron)

238-439 100 mesh (149 micron)

238-441 200 mesh (75 micron)

238-890 SST Fluid Regulator

Maximum working pressure: 6000 (41 MPa, 408 bar)

Regulator Range: 500-3000 psi (3.4-21 MPa, 34-210 bar).

Maximum flow rate: 2 gpm (7.57 lpm). Includes fluid gauge.

Grounded Nylon Fluid Hose

Maximum working pressure: 3000 psi (21 MPa, 210 bar)

Part No.	ID	Length	Thread
214-700	3/16 in (5 mm)	2 ft (0.6 m)	1/4 npsm(fbe)
214-701	3/16 in (5 mm)	3 ft (0.9 m)	1/4 npsm(f) x 1/4 npt(m)
223-540	1/4 in (6.3 mm)	25 ft (7.6 m)	1/4 npsm(fbe)
223-541	1/4 in (6.3 mm)	50 ft (15.2 m)	1/4 npsm(fbe)
214-703	3/8 in (9.5 mm)	25 ft (7.6 m)	3/8 npt(mbe)
214-705	3/8 in (9.5 mm)	50 ft (15.2 m)	3/8 npt(mbe)
214-920	3/8 in (9.5 mm)	100 ft (30.4 m)	3/8 npt(mbe)

Airless Spray Guns

Maximum working pressure: 5000 psi (34.5 MPa, 345 bar)

235-462 For fine finish

235-460 For medium viscosity fluids

235-461 For medium viscosity fluids

235-463 For medium viscosity fluids

Gun Swivels

Maximum working pressure: 3000 psi (21 MPa, 210 bar)

Part No.	Packings	OD	ID
204-940	Leather	1/4 npsm(f)	1/4 npt(m)
223-341	Teflon	1/4 npsm(f)	1/4 npt(m)

Maximum working pressure: 5000 psi (35 MPa, 350 bar)

214-925 Leather 1/4 npsm(f) x 3/8 npt(f)

214-926 Leather 1/2 npsm(f) x 3/8 npt(f)

Maximum working pressure: 5800 psi (48 MPa, 406 bar)

239-394 Swivel with Built-in Filter

206-221 Wall Mounting Bracket

224-043 Heavy Duty Portable Cart

222-699 Floor Stand Kit

222-916 Suction Kit

184-545 Pump Extension Tube

222-955 Anti-Sieze Lubricant

Graco Throat Seal Liquid

206-995 1 quart (0.95 liter)

206-996 1 gallon (3.8 liter)