



First choice when quality counts.™

Husky™ 307 Air-Operated Diaphragm Pump

- Fully groundable acetal model
- Delivery up to 7 gpm (26.5 lpm)
- Operates on as little as 20 psi (1.4 bar, 0.14 MPa) air pressure
- Easy-to-service air valve & ball checks
- Quiet operation—75 dBa at 50 psi (3.5 bar, 0.35 MPa) and 60 cpm

Economical 3/8 inch Diaphragm Pump

Graco's Husky 307 diaphragm pump is designed to operate at low air pressure while delivering a smooth, reliable flow. Husky 307 pumps are ideal for transferring a wide variety of fluids.

Two models are offered:

- Acetal wetted construction suitable for water-, solvent- and petroleum-based fluids, with either Teflon, Hytrel, Buna-N, or Santoprene diaphragms and ball checks.
- Polypropylene wetted construction for most acids and caustic fluids, with either Teflon, Hytrel, Buna-N, or Santoprene diaphragms and ball checks.
- SST balls are also available for abrasive and highly viscous fluids.

**Low cost,
reliable transfer
pump handles
a variety of
fluids**



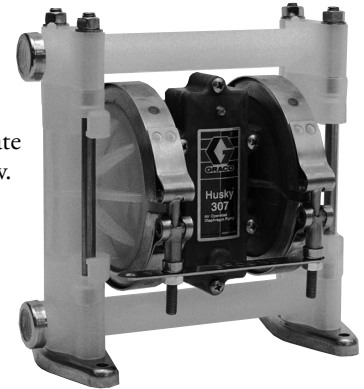
New Air Valve Design

The Husky 307 features Graco's patented air valve design with the following advantages:

- Simplified design (only 15 parts) improves reliability and serviceability – air valve is accessed by removing only six screws and there are no pilot valves.
- Lubricated air is not required.
- Air valve uses compressed air very efficiently, for lower operating cost.
- Air valve will operate on as little as 20 psi (1.4 bar 0.14 MPa). This allows the pump to cycle at low flow rates, producing a gentle pumping action – ideal for shear-sensitive fluids and for spraying coatings.
- Reset button offers convenient re-starting under tough service conditions.

Typical Applications

- Drum transfer for fluids up to 1000 centipoise
- Circulation of low viscosity inks, stains and dyes
- Coolant circulation and evacuation
- Waste fluid removal
- On-demand batch chemical metering
- Low viscosity adhesive supply
- Consistent low pressure air spray or HVLP supply



Polypropylene Model



Acetal Model

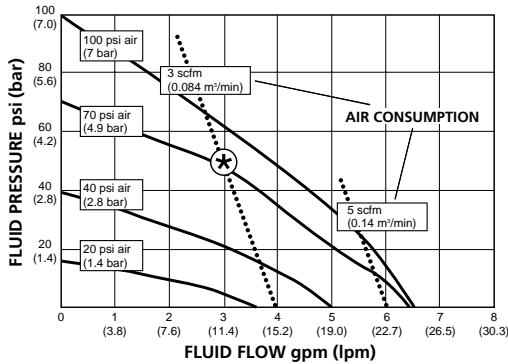
Typical Fluids Handled

- Paints
- Lubricants
- Inks
- Stains
- Solvents
- Coatings
- Dyes

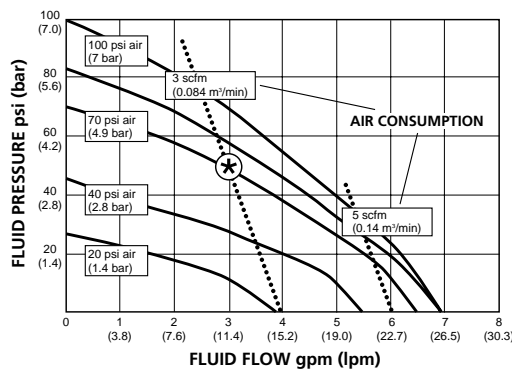
COMPONENTS

Husky 307 Performance

(with Teflon Diaphragm and Ball Checks)



(with Hytrel Diaphragm and Ball Checks)



How to read the performance charts

To determine the fluid pressure: Locate the desired *fluid flow* on the horizontal axis, and read up to the appropriate incoming *air pressure* curve. From that intersection, read across to find the *fluid pressure*.

To determine the fluid flow: Locate the desired *fluid pressure* on the vertical axis, and read across to the appropriate incoming *air pressure* curve. From that intersection, read down to the horizontal axis to find the maximum *fluid flow*.

To determine the air consumption: Find the intersection of the *fluid pressure* on the vertical axis and the appropriate incoming *air pressure* curve. Locate the nearest *air consumption* line to interpolate the air consumption.

Technical Specifications

Max. fluid pressure 100 psi (7 bar, 0.7 MPa)

Max. free flow delivery

Teflon diaphragm 6.5 U.S. gpm (24.6 l/min)

Hytrel diaphragm 7.0 U.S. gpm (26.5 l/min)

Displacement

Teflon diaphragm 0.020 gal/cycle (0.076 liters/cycle)

Hytrel diaphragm 0.021 gal/cycle (0.079 liters/cycle)

Max. pump speed 330 cpm

Max. size pumpable solids 1/16 in. (1.6 mm)

Max. suction lift 12 ft. (3.7 m) dry; 21 ft. (6.4 m) wet

Operating temperature range 40-150°F (4.4 - 65.5°C)

Typical noise level at 50 psi (3.5 bar) @ 50 cpm 75 dBa

Air inlet size 1/4 npt(f)

Fluid inlet and outlet size 3/8 npt(f)

Wetted parts:

Acetal pump acetal with SST fibers, and Teflon

Polypropylene pump polypropylene and Teflon

Diaphragms Teflon, Hytrel, Santoprene, and Buna-N

Seats acetal, 316 SST, or polypropylene

Polypropylene pump Teflon, 316 SST, Hytrel, Santoprene, and Buna-N

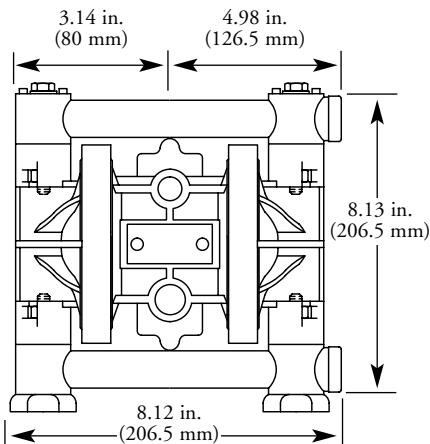
Weight

Acetal 5.2 lbs (2.4 kg)

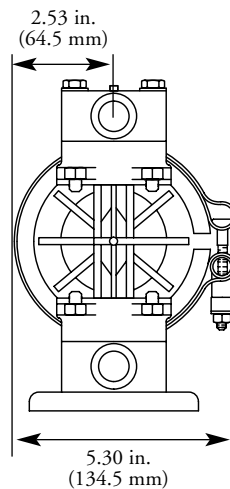
Polypropylene 4.75 lbs (2.2 kg)

Instruction manual 308-553

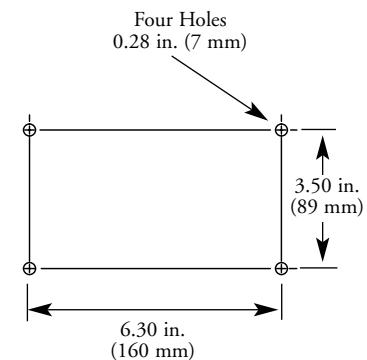
Front View



Side View



Mounting Holes



Accessories

222-011 Grounding Wire and Clamp

25 ft. (7.6 m) long

110-223 Air Bleed Valve

Max. working pressure: 300 psi (21 bar, 2.1 MPa).

Inlet and outlet: 1/4 npt(f).

Air Line Quick Disconnect

208-536 Coupler 1/4 npt(f).

169-970 Fitting 1/4 npt(m).

110-147 Air Regulator and Gauge

Adjustment range: 0-180 psi (0-11 bar, 0-1.1 MPa).

Max. working pressure: 300 psi (21 bar, 2.1 MPa).

Inlet and outlet: 1/4 npt(f).

205-090 Air Control Needle Valve

Max. working pressure: 300 psi (21 bar, 2.1 MPa).

Inlet: 1/4 npt(m). Outlet: 1/4 npt(f).

110-146 Air Line Filter

Max. working pressure: 300 psi (21 bar, 2.1 MPa).

Reusable 20 micron filter and drain cock.

Inlet and outlet: 1/4 npt(f).

221-169 Air Hose

Max. working pressure: 300 psi (21 bar, 2.1 MPa).

1/2 in. x 10 ft. (3 m). Coupled 1/2 npt(m) x

1/4 npt(m).

Dynamic Surge Suppressors

Maximum working pressure: 100 psi (7 bar, 0.7 MPa).

Fluid inlet and outlet: 3/4 npt(f). Air inlet: 1/4 npt(f).

224-892 Aluminum/Teflon diaphragm

224-893 Aluminum/Buna-N diaphragm

224-894 SST/Teflon diaphragm

224-895 SST/Buna-N diaphragm

Fluid Hoses

Max. working pressure: 300 psi (21 bar, 2.1 MPa). Nylon core,

synthetic rubber cover. Inside diameter: 3/8 in. (10 mm),

3/8 npt(fbe).

205-169 3 ft. (0.9 m) long

205-398 6 ft. (1.8 m) long

235-651 10 ft. (3.1 m) long

205-142 25 ft. (7.6 m) long

Groundable Fluid Hoses

Max. working pressure: 300 psi (21 bar, 2.1 MPa). Nylon core,

synthetic rubber cover. Inside diameter: 3/8 in. (10 mm),

3/8 npt(fbe).

215-247 5 ft. (1.5 m) long

215-244 25 ft. (7.6 m) long

Fluid Drain Valves

237-534 Stainless Steel/Teflon
3/8 npt(m) x 3/8 npt(f).

208-391 Carbon Steel/Teflon
3/8 npt(m) x 3/8 npt(f).

235-344 Fluid Regulation Kit

Max. working pressure: 250 psi (17.5 bar,

1.75 MPa). Regulated pressure range: 5-100 psi

(0.3-7 bar, 0.03-0.7 MPa). Includes SST regulator with Teflon diaphragm, gauge and fittings.

Inlet: 3/8 npsm(f). Outlet: 3/8 npt(f) outlet.

113-497 Fluid Pressure Relief Valve

Prevents overpressurization of pump due to thermal

expansion or fluid backup in the outlet line. Venting

pressure: 150 psi (10.5 bar, 1.05 MPa). Brass and

Buna-N, 1/4 npt(m x f).

224-835 Wall Mount Bracket

Carbon steel bracket for wall mounting.

Also fits the Husky 715.

235-654 5 Gallon Pail-Cover Mount

Includes SST pail cover, agitator port (plugged),

nylon suction tube with strainer.

224-834 Acetal Transfer Kit

55 gallon (200 liter). Drum kit includes bung

adapter, suction tube and fittings.

188-181 Air-tight Acetal Bung Adapter

Adapter screws into the 2 in. opening on a closed-

head drum to accept a 5/8 in. (19 mm) OD rigid

suction tube.

235-509 Bung Adapter Vent

SST vent installs on bung adapter (188-181 or 188-

182) to minimize escape of vapor fumes from drum.

235-504 Agitator Kit

Stainless steel agitator (222-695) and fittings for

mounting on a 5 gallon (20 liter) pail cover.

235-500 Acetal Remote Suction Kit

55 gallon (200 liter). Drum kit contains air-tight

bung adapter, rigid suction tube, hose and fittings

for feeding a remote wall-mounted pump.

235-643 Acetal Inlet Strainer Kit

20 mesh strainer mounts ahead of pump inlet to

filter fluid coming from drum.

112-032 100 Mesh Strainer Insert

100 mesh stainless steel wire strainer for use with

235-643 strainer kit.

239-952 Air Valve Kit

Replacement air valve assembly.

Split Manifold Kit (2 kits required)

Enables you to convert the Husky 307 pump to a dual fluid inlet,

dual fluid outlet or both.

237-210 for Husky 307 Polypropylene Pumps

237-211 for Husky 307 Acetal Pumps

Ordering Information

Acetal

Part No.	Seats/Guides	Balls	Diaphragms	Service Kits
D31-211	Acetal	Teflon	Teflon	D03-211
D31-215	Acetal	Teflon	Hytrel	D03-215
D31-255	Acetal	Hytrel	Hytrel	D03-255
D31-266	Acetal	Santoprene	Santoprene	D03-266
D31-275	Acetal	Buna-N	Hytrel	D03-275
D31-277	Acetal	Buna-N	Buna-N	D03-277
D31-311	SST	Teflon	Teflon	D03-311
D31-331	SST	SST	Teflon	D03-331
D31-335	SST	SST	Hytrel	D03-335
D31-336	SST	SST	Santoprene	D03-336
D31-911	Polypropylene	Teflon	Teflon	D03-911
D31-955	Polypropylene	Hytrel	Hytrel	D03-955

Polypropylene

Part No.	Seats/Guides	Balls	Diaphragms	Service Kits
D32-211	Acetal	Teflon	Teflon	D03-211
D32-215	Acetal	Teflon	Hytrel	D03-215
D32-255	Acetal	Hytrel	Hytrel	D03-255
D32-277	Acetal	Buna-N	Buna-N	D03-277
D32-311	SST	Teflon	Teflon	D03-311
D32-317	SST	Teflon	Buna-N	D03-317
D32-331	SST	SST	Teflon	D03-331
D32-335	SST	SST	Hytrel	D03-335
D32-337	SST	SST	Buna-N	D03-337
D32-366	SST	Santoprene	Santoprene	D03-366
D32-911	Polypropylene	Teflon	Teflon	D03-911
D32-916	Polypropylene	Teflon	Santoprene	D03-916
D32-917	Polypropylene	Teflon	Buna-N	D03-917
D32-931	Polypropylene	SST	Teflon	D03-931
D32-955	Polypropylene	Hytrel	Hytrel	D03-955
D32-977	Polypropylene	Buna-N	Buna-N	D03-977
D32-966	Polypropylene	Santoprene	Santoprene	D03-966