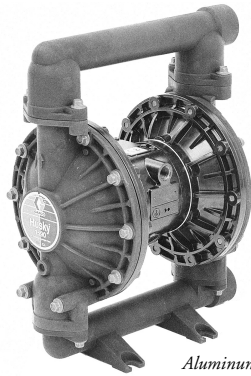




Husky™ 1590

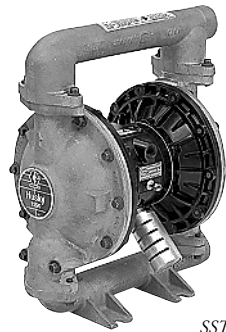
Air-Operated Double Diaphragm Pump



Aluminum

- **High flow - 100 gpm (378.5 lpm) in a compact, portable size**
- **Fluid pressure to 120 psi (8.4 bar, 0.84 MPa)**
- **High reliability patented "closed center" air valve is "online" serviceable**
- **Lube-free operation**
- **Epoxy-coated air section for tough environmental conditions**

A hard working pump for a wide variety of fluids

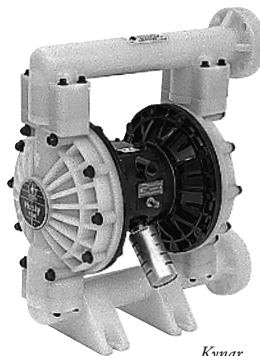


SST

Your Husky 1590 is a pump ready for action. With high flow rates, it can take on a large range of fluids to meet a wide variety of needs.

Smooth, clean fluid passages permit the use of heavier fluids at faster flow rates. The Husky 1590 has an air valve system that is 100% serviceable without disassembly of the wetted parts. This saves valuable maintenance time.

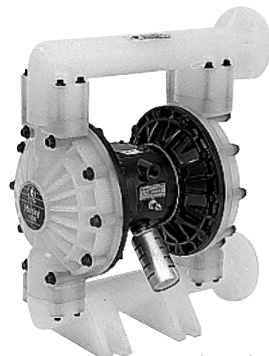
You have a choice of four models: the aluminum general purpose pump; passivated 316 stainless steel to better handle more abrasive or corrosive fluids; polypropylene for general chemical use; and Kynar for aggressive chemicals and higher temperatures. Each model can be ordered with diaphragms, balls and seats to meet your specific needs.



Kynar

Typical Applications

- Filter press
- Tank stripping
- Bilge pumping
- Sand and ball mill pumping
- Oil transfer, oil skimming
- Plating chemicals



Polypropylene

Typical Fluids Handled

- Latex
- Abrasive and corrosive fluids
- Acids: hydrochloric, ferric, sulfuric, nitric, phosphoric
- Slurries: petroleum, lime, clay, ferrite, salt/brine, pumice
- Sludge: secondary, clarifier
- Pottery slip

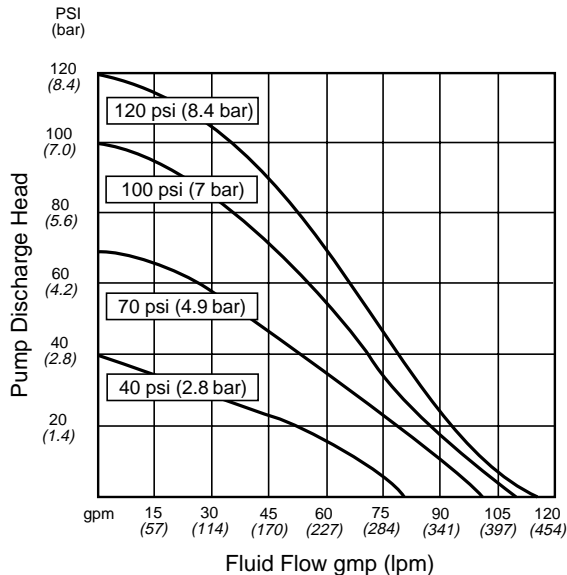
Technical Specifications

- Maximum Fluid Pressure 120 psi (8.4 bar, 0.84 MPa)
- Maximum Free Flow Delivery 100 gpm (378.5 lpm)
- Maximum Pump Speed 200 cpm
- Gallons (Liters) per Cycle 0.5 gal. (1.96 lpm)
- Maximum Size Pumpable Solids 3/16 in. (4.8 mm)
- Maximum Suction Lift – Wet or Dry 18 ft. (5.48 m)
- Air Pressure Operating Range 20-120 psi (1.4-8.4 bar, 0.14-0.84 MPa)
- Maximum Operating Temperature 150°F (65.5°C)
200°F (93.3°C) for models with Teflon diaphragms and metal or Kynar housings
- Typical Noise Level (at 70 psi [4.8 bar, 0.48 MPa], 50 cpm) 72 dBA
- Air Inlet 1/2 npt(f)
- Fluid Inlet
 - Aluminum & Stainless Steel 1-1/2 npt(f)
 - Polypropylene & Kynar 1-1/2 in. raised face flange
- Fluid Outlet
 - Aluminum & Stainless Steel 1-1/2 npt(f)
 - Polypropylene & Kynar 1-1/2 in. raised face flange
- Weight
 - Aluminum 33.5 lbs. (15.2 kg)
 - Stainless Steel 85 lbs. (38.6 kg)
 - Polypropylene 35 lbs. (16 kg)
 - Kynar 49 lbs. (22 kg)
- Size
 - Aluminum & Stainless Steel 15 in. W x 19 in. H x 10 3/8 in. D
(381 mm W x 482 mm H x 264 mm D)
 - Polypropylene & Kynar 17.55 in. x W x 21.8 in. H x 10.45 in. D
(445.8 mm W x 553.7 mm H x 265.3 mm D)
- Mounting Hole Layout
 - Aluminum & Stainless Steel 6 in. (152 mm) x 6 in. (152 mm)
 - Polypropylene & Kynar 6 in. (152 mm) x 6 in. (152 mm)
- Instruction Manual
 - Aluminum & Stainless Steel 308-441
 - Polypropylene & Kynar 308-549

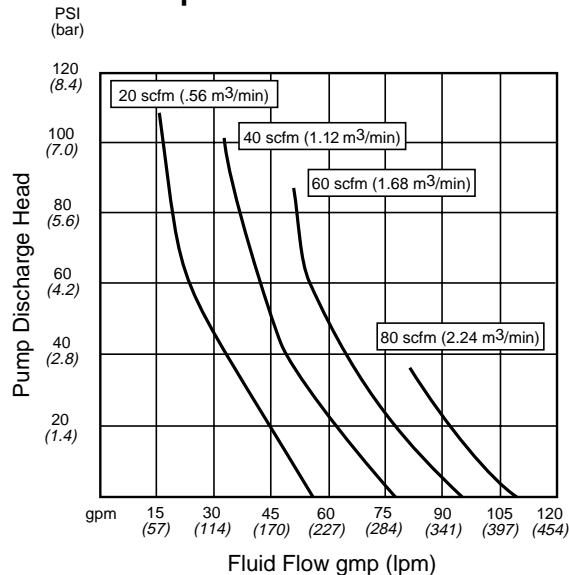


Husky 1590 Performance Chart (Inlet Submerged in Water)

Fluid Flow



Air Consumption



Husky 1590 Pump Accessories

206-197 Air Regulator

Max. working pressure: 300 psi (21 bar, 2.1 MPa).
Adjustment range: 0-125 psi (0-9 bar, 0-0.9 MPa).
3/8 npt(f).

214-656 Groundable Air Hose

Max. working pressure: 180 psi (12.6 bar, 1.26 MPa).
Buna-S core, Buna-N cover.
1/2 in. (13 mm) ID. 1/2 npt(mbe);
Length: 10 ft. (3.05 mm).

106-149 Air Line Filter

Max. working pressure: 250 psi (17.5 bar, 1.75 MPa).
Inlet and outlet: 1/2 npt(f).
Reusable 20 micron filter and drain cock.

Air Line Quick Disconnect Coupler

110-199 Coupler 1/2 npt(f).

110-196 Fitting 1/2 npt(m).

222-914 Fluid Hose

Max. working pressure: 150 psi (10.5 bar, 1.05 MPa).
ID: 1-1/2 in. (38 mm).
Length: 8 ft. (2.4 m), 1-1/2 npt(fbe).

110-225 Bleed-Type Master Air Valve

Max. working pressure: 300 psi (21 bar, 2.10 MPa).
Inlet and outlet: 1/2 npt(f).

217-073 Filter/Regulator/Lubricator Assembly

Max. working pressure: 250 psi (17.5 bar, 1.75 MPa).
Inlet and outlet: 3/4 npt(f).
Air adjustment range: 0-250 psi (0-17.5 bar, 0-1.75 MPa).

100-960 Air Regulator Gauge

Max. working pressure: 200 psi (14 bar, 1.4 MPa).
1/4 npt(m).

Fluid Drain Valve

Max. working pressure: 500 psi (35 bar, 3.5 MPa).

237-534 SST and Teflon, 3/8 npt(mxf)

208-391 Steel and Teflon, 3/8 npt(mxf)

512-212 Fluid Shutoff Valves

Carbon steel. Maximum working pressure:
2000 psi (140 bar, 14.0 MPa). 1.5 npt(fbe).

236-452 Rubber Foot Kit

Install on pump feet to reduce noise and vibration.

Groundable Exhaust Air Hoses

Max. working pressure: 180 psi (12.6 bar, 1.26 MPa).
Buna-N core, Buna-N cover. 3/8 in. (10 mm) ID.

208-610 3/4 npt(mbe); Length: 6 ft. (1.83 m).

205-548 3/4 npt(mbe); Length: 15 ft. (4.57 m).

100-385 Exhaust Hose Coupling

Connects muffler to exhaust hose. 3/4 npt(fbe).

Pressure Relief Valve

110-134 Aluminum, Buna-N seals

112-119 SST, Teflon seals

Flange Kits

With Teflon gaskets and SST fasteners.

239-006 For 1590 Polypropylene

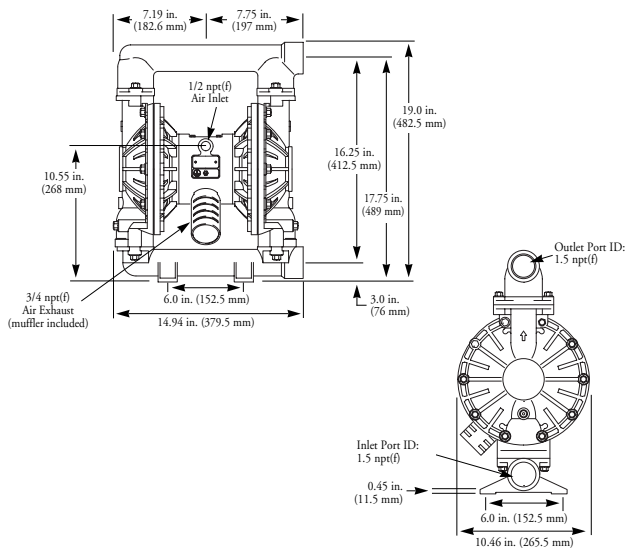
239-010 For 1590 Kynar

237-569 Grounding Wire and Clamp

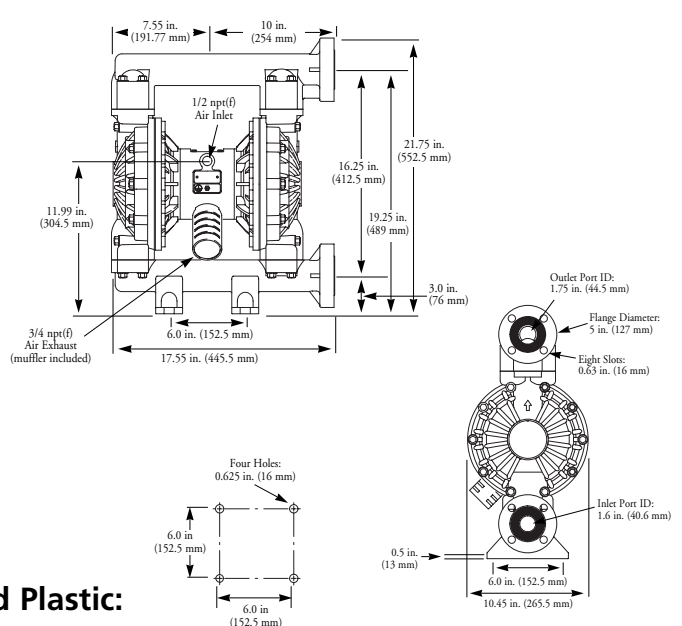
25 ft. (7.6 m) long, 12 ga. (1.5 mm²).

Husky 1590 Pump Dimensions

Metal Models



Plastic Models



Mounting Hole Pattern for Metal and Plastic:

Order Numbers for the Husky 1590

Polypropylene

Part No.	Seats/Guides	Balls	Diaphragms	Service Kits
DB2-A11	Kynar	Teflon	Teflon	DOC-A11
DB2-311	SST	Teflon	Teflon	DOC-311
DB2-455	Hardened SST	Hytrel	Hytrel	DOC-455
DB2-655	Santoprene	Hytrel	Hytrel	DOC-655
DB2-666	Santoprene	Santoprene	Santoprene	DOC-666
DB2-911	Polypropylene	Teflon	Teflon	DOC-911
DB2-955	Polypropylene	Hytrel	Hytrel	DOC-955
DB2-966	Polypropylene	Santoprene	Santoprene	DOC-966
DB2-988	Polypropylene	Viton	Viton	DOC-988

Aluminum

DB3-311	SST	Teflon	Teflon	D0B-311
DB3-315	SST	Teflon	Hytrel	D0B-315
DB3-318	SST	Teflon	Viton	D0B-318
DB3-341	SST	Hardened SST	Teflon	D0B-341
DB3-346	SST	Hardened SST	Santoprene	D0B-346
DB3-355	SST	Hytrel	Hytrel	D0B-355
DB3-366	SST	Santoprene	Santoprene	D0B-366
DB3-388	SST	Viton	Viton	D0B-388
DB3-441	Hardened SST	Hardened SST	Teflon	D0B-441
DB3-466	Hardened SST	Santoprene	Santoprene	D0B-466
DB3-525	Hytrel	Acetal	Hytrel	D0B-525
DB3-541	Hytrel	Hardened SST	Teflon	D0B-541
DB3-545	Hytrel	Hardened SST	Hytrel	D0B-545
DB3-555	Hytrel	Hytrel	Hytrel	D0B-555
DB3-655	Santoprene	Hytrel	Hytrel	D0B-655
DB3-666	Santoprene	Santoprene	Santoprene	D0B-666
DB3-911	Polypropylene	Teflon	Teflon	D0B-911
DB3-926	Polypropylene	Acetal	Santoprene	D0B-926
DB3-955	Polypropylene	Hytrel	Hytrel	D0B-955
DB3-966	Polypropylene	Santoprene	Santoprene	D0B-966

SST

DB4-311	SST	Teflon	Teflon	D0B-311
DB4-341	SST	Hardened SST	Teflon	D0B-341
DB4-388	SST	Viton	Viton	D0B-388
DB4-411	Hardened SST	Teflon	Teflon	D0B-411
DB4-525	Hytrel	Acetal	Hytrel	D0B-525
DB4-666	Santoprene	Santoprene	Santoprene	D0B-666
DB4-911	Polypropylene	Teflon	Teflon	D0B-911
DB4-966	Polypropylene	Santoprene	Santoprene	D0B-966

Kynar

DB5-311	SST	Teflon	Teflon	D0C-311
DB5-555	Hytrel	Hytrel	Hytrel	D0C-555
DB5-666	Santoprene	Santoprene	Santoprene	D0C-666
DB5-A11	Kynar	Teflon	Teflon	D0C-A11
DB5-A88	Kynar	Viton	Viton	D0C-A88