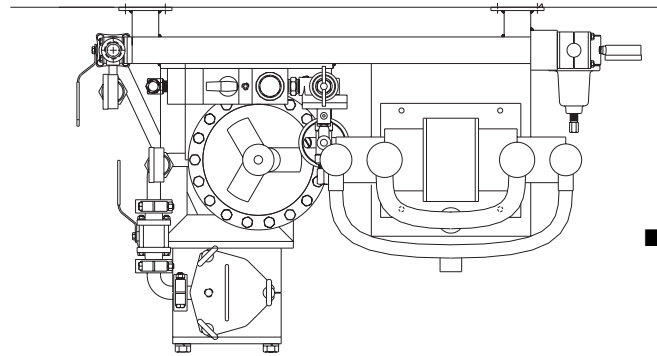




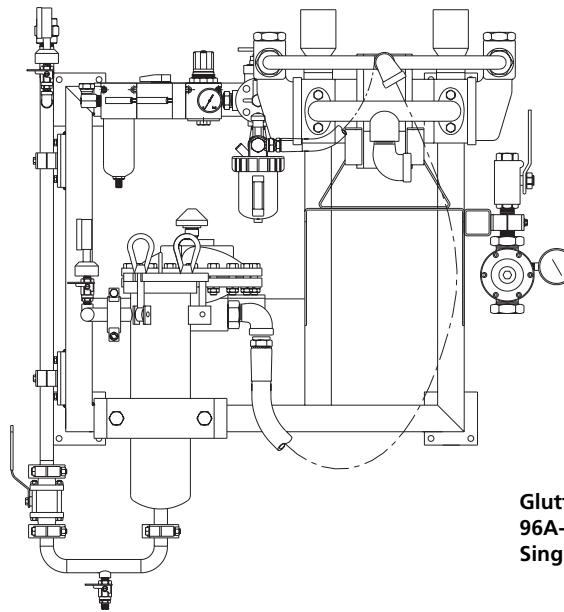
First choice when
quality counts.™

Glutton™ Pump Modules

Heavy Duty, Medium Volume



Top View



Side View

**Custom-designed
module to
stand up to the
medium volume
application
of abrasive,
high-solids
paints**

- **Designed to efficiently deliver the most abrasive paints**
- **Few moving parts for a long life under extreme conditions**
- **Pre-engineered modules for proven results**
- **One-crate shipping and fast, easy installation**

Glutton 4:1 Pump Module
96A-637
Single filter, wall-mount

The Glutton, Graco's toughest medium-volume pump module, is extremely rugged and built to deliver the most abrasive, high-solids paints with minimal wear and maintenance. Each module is CAD-designed for optimal performance, easy installation and rapid service.

The Glutton pumps utilize Teflon® and UHMWPE seals, co-polymer bellows for long-lasting quality, and sanitary fittings for quick, easy maintenance and cleaning. These easy-to-install modules can be floor-mounted (individually or back-to-back) or wall-mounted, allowing you to make the most of limited space. The Glutton is also available as a table mount.

Best of all, the Glutton pump modules are backed by Graco's high-quality service and support.

Technical Specifications for Glutton Modules

Fluid flow at 30 cpm 3 gpm (11.3 lpm)
Max. fluid outlet pressure . . . 300 psi (2.0 MPa, 20.4 bar)
at 30 cpm and 85 psi (0.5 MPa, 5.7 bar)
Volume per cycle 12 oz (355 cc)
Module air inlet 1/2 npsm(f)
Module fluid inlet 1-1/4 npt(f)
Module fluid outlet to supply 3/4 npt(f)
Module fluid return to supply 3/4 npt(f)

Reference Data for Glutton 4:1 Bare Pumps

307-843 Instruction Manual
305-936 Data Sheet

Accessories

Floor Stands for Glutton Pump Modules

For mounting Glutton pump modules off the floor.

618-313 Single floor stand
618-314 Back-to-back floor stand

51B-716 Return Line Flow Meter

Visual indication of approximate system flows.

Ordering Information

Single Filter Wall-Mount Modules:

96A-637 Glutton 4:1 Module, SST (Right Hand)
96A-638 Glutton 4:1 Module, SST (Left Hand)
96A-768 Glutton 4:1 Module, CS (Right Hand)

Dual Filter Wall-Mount Modules:

96A-938 Glutton 4:1 Module, SST (Right Hand)
96A-939 Glutton 4:1 Module, SST (Left Hand)

Single Filter Table-Mount Module

96A-497 Dual Glutton 4:1 Module, SST (Right Hand)

Only includes: 2 Glutton 4:1 SST pumps,
filter/regulator/lubricator, runaway valve, and table.

Glutton SST Wall-Mount Modules are equipped with:

- Glutton 4:1 SST pump
- Model 12 SST bag filter
- sanitary connections
- medium volume SST surge suppressor
- supply and return isolation SST ball valves
- back pressure regulator
- air filter/regulator/lubricator
- pump runaway valve
- heavy-duty, wall-mount frame

Glutton CS Wall-Mount Modules are equipped with:

Same as SST Glutton Modules except:

- Glutton 4:1 CS pump
- Model 12 CS bag filter
- npt fluid connections

Note: Right Hand indicates the pump is on the right side of the module.
Left Hand indicates the pump is on the left side of the module.