



# Foam-Cat<sup>®</sup> Hydraulic-Powered Sprayer

- **Module fully assembled**
- **Hydraulic Power for quiet long life operation**
- **Fluid flow up to 30 lb/min. (13.5 kg/min.)**
- **Heated Hose Controls included**

**Urethane foam  
spray with  
accurate mix  
and smooth  
surface**

Graco's hydraulic-powered sprayer system gives you all components necessary to tackle any small to medium size job efficiently with quality results. With a 1:1 volume mix ratio of isocyanate and resin, the Foam-Cat 400 Sprayer delivers the right mix at the right temperature for a consistent and smooth foam coat.

Foam-Cat sprayer systems are shipped assembled. Sprayer systems are available with or without hydraulic power supply, hydraulic hoses and 10 gallons (38 liters) hydraulic oil.

#### **Typical Fluids Handled**

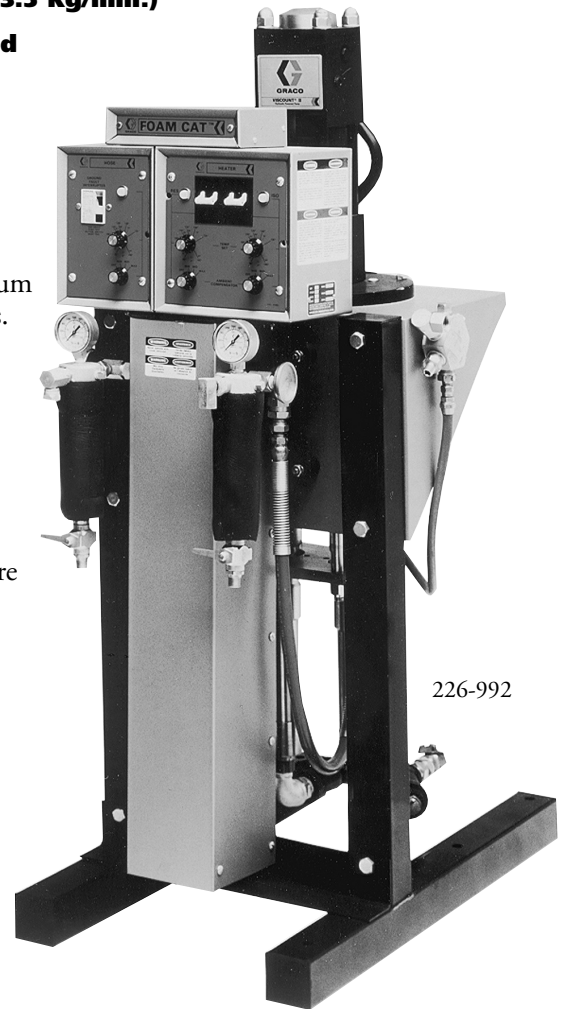
- Isocyanate
- Resins

#### **Typical Applications**

- Foam chemical supply
- Fluid transfer

#### **Reference Data Sheets**

- Foam-Cat Spray Gun: 305-871
- Foam-Cat Component Parts: 305-872



226-992

## Technical Specifications

**Max. working pressure** . . . . . 1500 psi (10.5 MPa, 105 bar)  
**Maximum fluid flow** . . . . . 30 lb/min. at 48°F temperature rise  
(13.5 kg/min at 27°C)  
**Electrical requirements** . . . . . 240 Volt,  
single phase 80 amp, 3 phase 60 amp  
**Hyd. power delivery (226-994 only)** . . . . . 5 gpm at 800 psi  
(19 lpm at 5.6 MPa, 56 bar)  
**Instruction manual** . . . . . 307-541

## Accessories

**106-522 Hydraulic Power Supply**  
**217-374 ISO Pump Oil, 1 Pint (236 cc)**  
**237-569 Ground Wire**  
25 ft (7.6 m).  
**106-149 Air Filter**  
Maximum working pressure: 250 psi (1.8 MPa, 18 bar)

### Hydraulic Oil

**207-428** 1 gallon (3.8 liters)  
**169-236** 5 gallons (19 liters)  
**217-341 Air Dryer Kit**  
Maximum air inlet working pressure: 150 psi (1 MPa, 10 bar). Provides clean, dry air to prevent crystallization of isocyanate and freon loss in resin.  
**226-946 Feed Pump, 1:1 Ratio**  
Maximum working pressure: 180 psi (1.2 MPa, 12 bar). Supplies polyurethane foam chemicals from supply containers to proportioning pumps.  
**217-381 Feed Pump Kit, 1:1 Ratio**  
Includes two feed pumps (226-946), two 10 ft. (3 m) fluid hoses (217-382), two 10 ft. (3 m) air hoses (200-991), four bushings (102-022) and an air dryer (217-341).  
**070-411 Abrasion-Resistant Hose Cover**  
Order by the foot.  
**206-199 Air Regulator and Gauge**  
Maximum working pressure: 300 psi (2.1 MPa, 21 bar). Regulated pressure range: 10-125 psi (0.07-0.9 MPa, 0.7-8.5 bar). Inlet and outlet: 1/2 npt(f)

### Air Shutoff Valve

Maximum working pressure: 500 psi (3.5 MPa, 35 bar). Bleed type valve for shutting off main air supply to spray system.  
**110-225** 1/2 in. (1.25 cm)  
**103-344** 3/4 in. (1.9 cm)

## Order Information

**226-989 Foam-Cat 400 Sprayer**  
Includes Viscount Pump (217-337) and heater (235-260)  
**226-992 Foam-Cat 400 Sprayer Package**  
Includes Sprayer above (226-989), plus:  
• Dual-hose set 3/8 in. ID x 50 ft. (0.95 cm x 15.2 m)  
• Heated whiphose 1/4 in. ID x 15 ft. (0.63 cm x 4.57 m)  
• Foam gun (217-373) with 0.114 in. nozzle kit  
• Stand mounted  
**226-994 Foam-Cat 400 Sprayer Package With Hydraulic Power Supply**  
Includes Sprayer Package above (226-992), plus:  
• Hydraulic power supply  
• Hydraulic supply and return hoses, 10 ft. (3.1 m)  
• Hydraulic oil, 10 gallons (19 liters)

