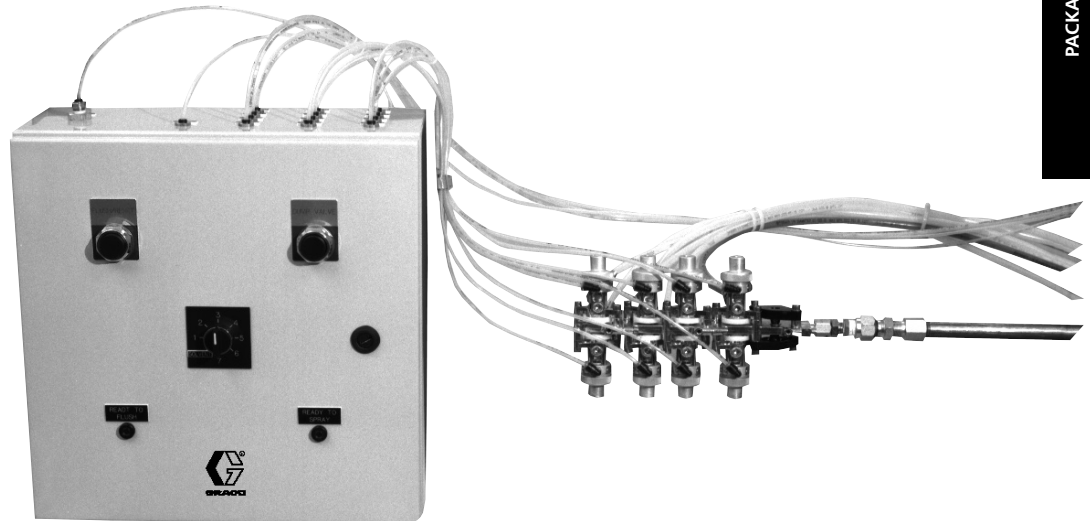




First choice when  
quality counts.™

# Color Change System

PACKAGES



**Delivers  
quick,  
consistent  
color  
changes  
with  
minimum  
waste**

- Capable of handling multiple colors from one control panel
- A programmable air / solvent sequence flushes the material lines in less than half the time with half the solvent
- Additional fluid port built in for re-circulation
- Available in low (up to 300 psi / 21 bar) and high (up to 3000 psi / 210 bar) pressure versions
- Low pressure version available with a Soft-Air Push option to further reduce waste

This system allows the operator to direct all color changes from one easy to use control panel within the spray booth. The system is comprised of pneumatic controls which activate material and flushing operations through a modular valve manifold.

During flushing, the programmable air/solvent sequencing efficiently cleans all fluid passages. This feature reduces cleaning time and solvent used by over 50% compared to manual color changes.

With the Soft-Air Push option, the operator can use all paint left in the line before flushing starts, thereby further reducing waste.

The color change system is easy to install and expand. The simple, modular manifold allows multiple valves on a single stack.

The system is compatible with virtually all coatings and is designed to operate safely in Class 1, Div. 1, Group C & D hazardous environments.

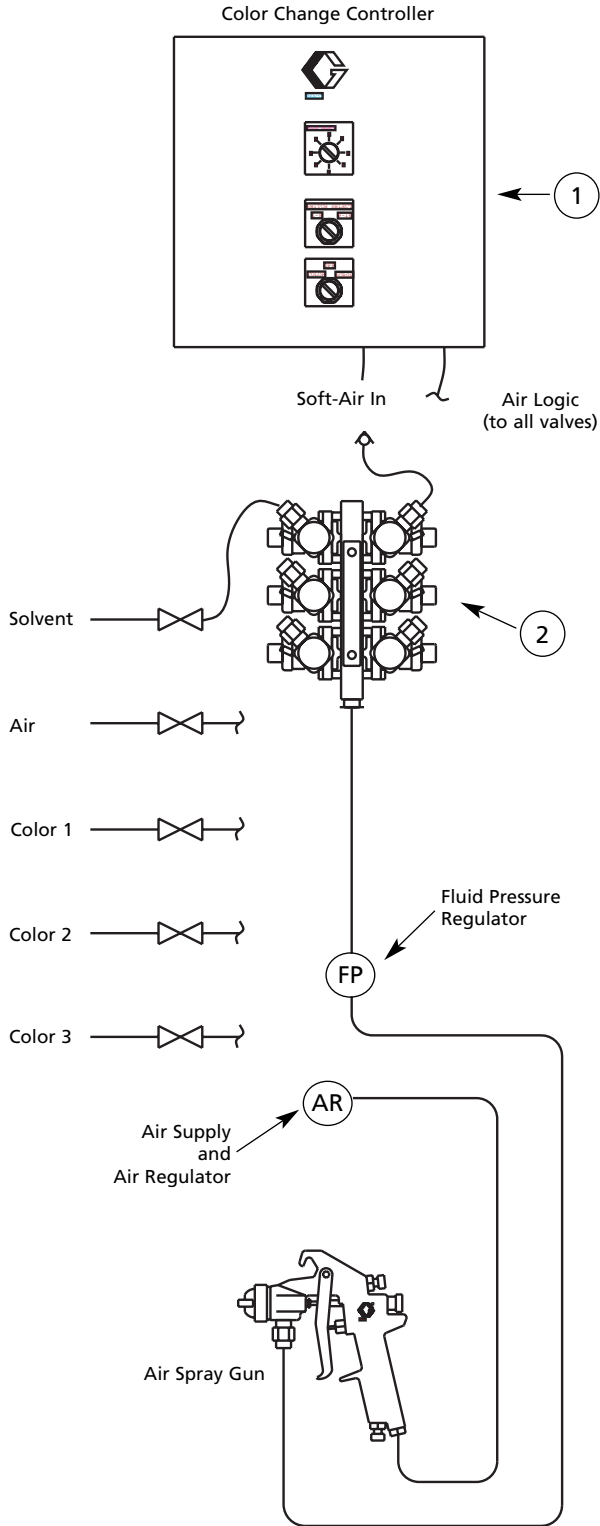
## Typical Materials

- Solventborne coatings
- Waterborne coatings
- High solids
- Catalyzed materials

## Typical Applications Involve

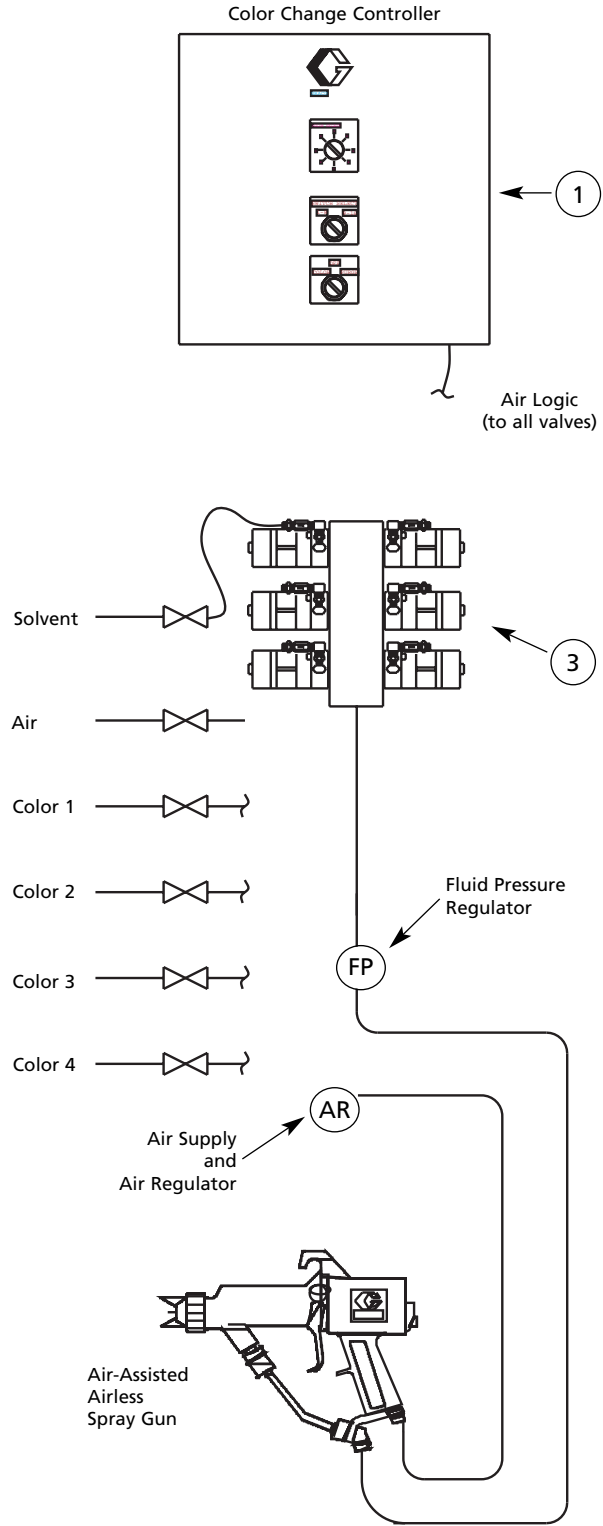
- Four or more color changes per day
- Fast color change time
- High production rates
- Problems meeting EPA requirements

## Typical Low Pressure Installation (with Soft-Air Push Option)



Color Change Controller with 6 Low Pressure Valves (1 solvent, 1 air, 1 soft push, 3 colors) using an Air Spray Gun

## Typical High Pressure Installation



Color Change Controller with 6 High Pressure Valves (1 solvent, 1 air, 4 colors) using an Air-Assisted Airless Spray Gun

## Graco Advantages . . .

### Air / Solvent Sequencing

- Flushes material lines in less than half the time with half the solvent
- Creates a highly efficient scrubbing action
- Time adjustable from 1.0 to 30.0 second duration for air and solvent
- Cycle counter adjustable from 0 to 999 cycles

*Example of a 15 second flushing involving 5 cycles with 2.0 second air and 1.0 second solvent for each cycle:*

Cycle 1		Cycle 2		Cycle 3		Cycle 4		Cycle 5	
Air	Solv	Air	Solv	Air	Solv	Air	Solv	Air	Solv
2.0	1.0	2.0	1.0	2.0	1.0	2.0	1.0	2.0	1.0

### Soft-Air Push (option only with low pressure valve version)

- Allows operator to use all paint left in the line before flushing, thereby further reducing waste

## Ordering Information

Circled numbers in the following charts refer to the circled numbers in the Typical Installation drawings found on page 2.

### 1 Color Change Controller

Max. No. of Valves	Without Soft-Air Push	With Soft-Air Push
6	949-797	949-798
10	949-558	949-799
14	949-800	949-801
18	949-784	949-870
19 or more	Available	Available

Notes for Color Change Controller:

1. Allow 1 valve for solvent and 1 valve for air.
2. Allow 1 valve for solvent, 1 valve for air and 1 additional valve if selecting Soft-Air Push option (low pressure only).
3. Soft-Air Push option available only with Low Pressure Valves.
4. Controller includes air/solvent timer and cycle counter.

### Optional Accessories

Valve Part No.	No. of Valves Per Stack	Fluid Tube Fitting (513-031)	Inlet Check Valve (501-867)
949-796	3	3	3
220-019	4	4	4
220-020	5	5	5
220-021	6	6	6
220-022	7	7	7
220-023	8	8	8
220-024	9	9	9
220-025	10	10	10
220-026	11	11	11
220-027	12	12	12
220-028	13	13	13
220-029	14	14	14
220-030	15	15	15
220-031	16	16	16
220-032	17	17	17
220-033	18	18	18

### 2 Low Pressure Valves

Notes for Low and High Pressure Valves:

1. Allow 1 valve for solvent and 1 valve for air.
2. Allow 1 valve for solvent, 1 valve for air and 1 additional valve if selecting Soft-Air Push option (low pressure only).
3. If required, 19 or more valve stacks are available.
4. Mounting brackets and mounting screws are supplied.

### 3 High Pressure Valves

907-345	4	4	4
907-346	6	6	6
907-347	8	8	8
907-348	10	10	10
907-349	12	12	12
907-350	16	16	16

## Technical Specifications

### For the Color Change Controller

Available color selections . . . . . 4, 8, 12, 16, and more  
Air input requirement . . . . . 100 psi (7 bar)  
Control air output . . . . . 100 psi (7 bar)  
Tube connections . . . . . 5/32 in. (4 mm) OD  
Approximate dimensions . . . 20 in. W x 20 in. H x 8 in. D  
(508 mm W x 508 mm H x 203 mm D)

### Time ranges

Air and solvent . . . . . 1.0 to 30.0 seconds  
Cycle range . . . . . 0-999

### For the Low Pressure Color Valves

Max. fluid pressure . . . . . 300 psi (21 bar)  
Max. air pressure . . . . . 100 psi (7 bar)  
Air inlet tube requirements . . . . . 5/32 in. (4 mm) OD  
Fluid inlet and outlet . . . . . 1/8 npt(f)  
Wetted parts . . . . . 304 SST electropolished and  
304 SST passivated machined parts, Delrin®, UHMWPE  
Instruction manual . . . . . 307-731

### For the High Pressure Color Valves

Max. fluid pressure . . . . . 3000 psi (210 bar)  
Max. air pressure . . . . . 100 psi (7 bar)  
Air inlet tube requirements . . . . . 5/32 in. (4 mm) OD  
Fluid inlet and outlet . . . . . 1/8 npt(f)  
Wetted parts . . . . . SST, CV75®, polyurethane, Teflon®

*Delrin® and Teflon® are registered trademarks of Du Pont.*

*CV75® is a registered trademark of International Seal Co., Inc..*

## Accessories

### 181-310 Mounting Bracket

One supplied per 4 valve stack (low pressure).

### 108-019 Mounting Screws

Two supplied for each bracket.

### 501-867 Inlet Check Valve (1/4 npt SST)

One fluid inlet adapter (1/4 npsm x 1/8 npt) supplied with each inlet check valve.

### 513-031 Fluid Tube Fitting

1/8 npt x 3/8 OD rigid tube

### 111-328 Straight Air Inlet Fitting

Straight fitting 5/32 OD tube. Standard unit supplied with 90° 5/32 OD tube.

### 054-177 Air Tubing

5/32 in. OD, nylon.

Specify length. Minimum 5 ft. (152 cm) per valve.