



Bulldog 5:1 Stubby Pump

- **Pressure output capacity of 500 psi (3.4 MPa, 34 bar)**
- **Excellent abrasion and corrosion resistance using Graco Severe Duty™ wear parts**
- **Divorced air motor eliminates fluid and fume contamination, reducing maintenance**
- **Air and fluid regulators, filters, and other accessories available**

**Reliable
low pressure
2-ball supply
pump**

Graco's Bulldog 5:1 is designed to meet low pressure requirements for low to medium viscosity materials. A durable and economical low pressure pump, the Bulldog 5:1 is built for light to medium viscosity materials like solventborne coatings, waterborne coatings, and water (cleaning applications). The pump is driven by the reliable Bulldog air motor, which is life tested to 10,000,000 cycles. There are thousands of satisfied customers using these pumps worldwide.

Typical Fluids Handled

- Solventborne paints and coatings
- Waterborne paints and coatings
- Water

Typical Applications

- Circulation of paints and coatings
- Cleaning

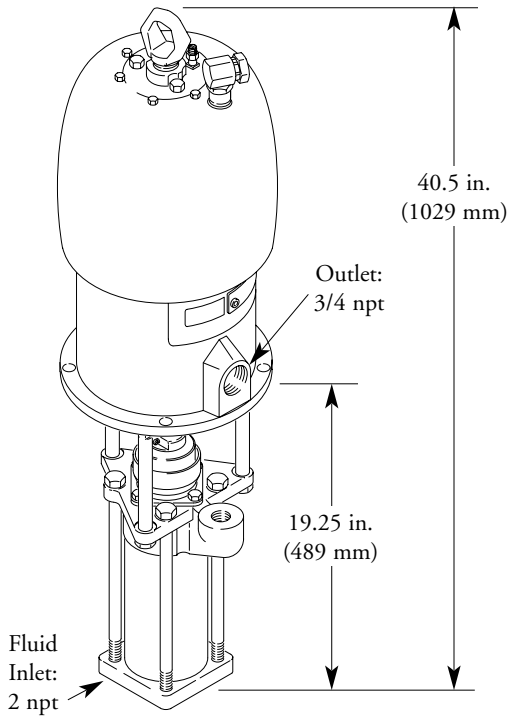


COMPONENTS

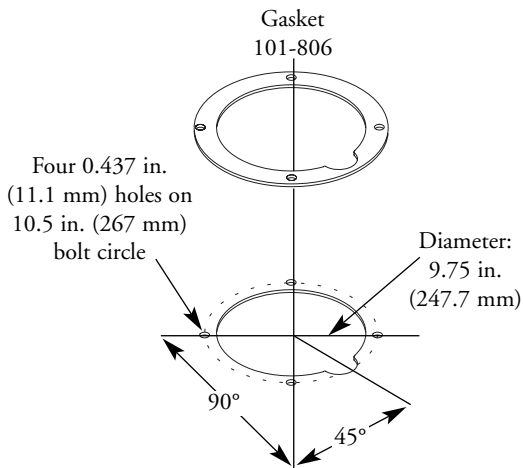
Technical Specifications

Maximum working pressure 500 psi (3.5 MPa, 35 bar)
Max. air input pressure 100 psi (0.7 MPa, 7 bar)
Fluid Flow at 60 cpm 15 gpm (56.7 lpm)
Volume per cycle 32 oz. (0.95 liter)
Air Inlet size 3/4 npt(f)
Weight 92 lb (41 kg)
Instruction manual 306-818

Dimensions

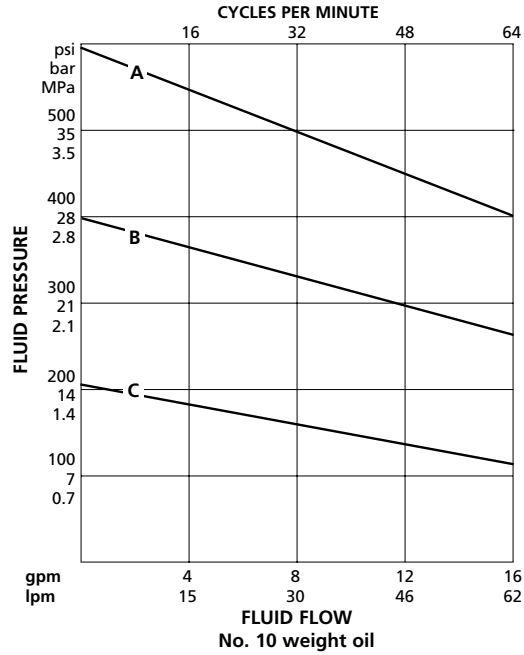


Mounting Hole Layout

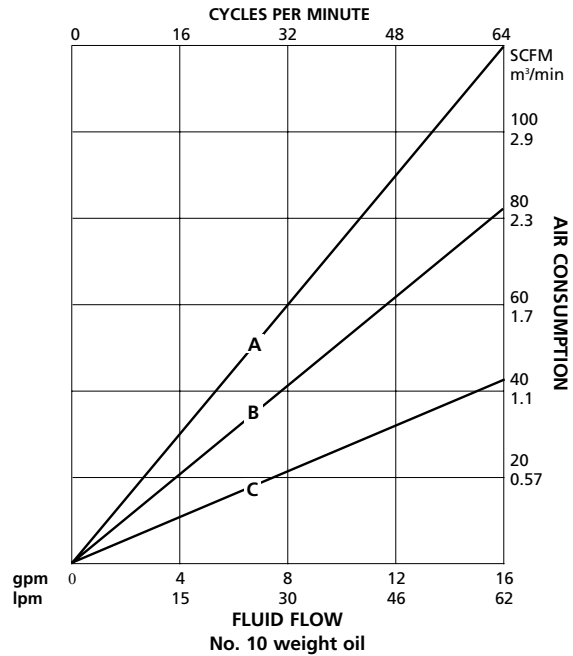


Performance Chart for Bulldog 5:1 Pump

Fluid Pressure



Air Consumption



Air Pressures:

- A = 100 psi (0.7 MPa, 7 bar)
- B = 70 psi (0.48 MPa, 4.8 bar)
- C = 40 psi (0.28 MPa, 2.8 bar)

Ordering Information for Bulldog 5:1 Stubby Pump

Order number includes motor and pump lower assembly

Order Nos.	206-418	206-796
Pump Lower		
Part No.	206-452	206-453
Construction	SST	SST
Standard Seal Repair Kits	206-931	207-349
Construction	Rubber	Teflon®
Motor		
206-734: Repair Kit		

SERVICE PARTS INFORMATION

Pump Lower Part Nos.	206-452	206-453
Displacement Rod	206-451	206-451
Construction	SST	SST
Cylinder	166-067	166-067
Construction	SST	SST
Intake Valve (order separate part numbers)		
Intake Valve Plate	166-066	166-066
Intake Valve Seat	166-068	166-068
Piston Valve (order separate part numbers)		
Piston Valve Plate	166-065	166-065
Seat	166-063	166-063

Teflon® is a registered trademark of Du Pont.

Accessories

107-141 Bleed-Type Master Air Valve

Maximum working pressure: 300 psi (2.1 MPa, 21 bar). Inlet: 3/4 npt(m); outlet: 3/4 npt(f)

106-150 Air Line Filter

Maximum working pressure: 250 psi (1.8 MPa, 18 bar). Inlet and outlet: 3/4 npt(f)

214-849 Air Line Lubricator

Maximum working pressure: 250 psi (1.8 MPa, 18 bar). Inlet and outlet: 3/4 npt(f)

224-040 Pump Runaway Valve

Maximum working pressure: 120 psi (0.84 MPa, 8.4 bar). Inlet and outlet: 3/4 npt(f). Includes optional 90° 3/4 npsm swivel outlet fitting.

207-651 Air Pressure Installation Regulator Kit

Max. working pressure: 300 psi (2.1 MPa, 21 bar)

Grounded Buna-N Air Hose

Maximum working pressure: 175 psi (1.2 MPa, 12 bar)

ID: 3/4 in. (19 mm); thread size 3/4 npt(m)

208-610 Length: 6 ft. (1.8 m)

205-548 Length: 15 ft. (4.5 m)

208-611 Length: 25 ft. (7.6 m)

208-612 Length: 50 ft. (15.2 m)

237-569 Ground Wire and Clamp

Length: 25 ft. (7.6 m)

Ball Valve, CS

Maximum working pressure: 500 psi (3.4 MPa, 34 bar)

208-390 1/4 npt(mbe)

208-393 3/8 npt(mbe)

208-391 1/4 npt(f) x 3/8 npt(m)

Ball Valve, SST

Maximum working pressure: 500 psi (3.4 MPa, 34 bar)

237-528 1/4 npt(mbe)

237-531 3/8 npt(mbe)

237-530 1/4 x 3/8 npt(mbe)

237-533 3/8 npsm(m) x 3/8 npt(m)

Graco Throat Seal Liquid

206-995 1 quart (0.95 liter)

206-996 1 gallon (3.8 liter)

213-063 Red Alert Fluid Filter, Aluminum

Max. working pressure: 300 psi (2 MPa, 20.4 bar).

Inlet and outlet: 1-1/4 npt(f). 60 mesh. Maximum recommended flow rate: 20 gpm (7.6 lpm).

Red Alert Filter Screens, Stainless Steel

108-111 30 mesh (595 micron)

108-112 60 mesh (250 micron)

108-113 100 mesh (149 micron)

108-115 150 mesh (112 micron)

108-114 200 mesh (75 micron)

231-414 SST Drum Agitator Package

Includes heavy duty agitator, siphon kit, cover, and elevator.

206-221 Wall Bracket, Painted

Viscon² SST Fluid Heater

220-522 120V

220-523 240V

220-524 480V