

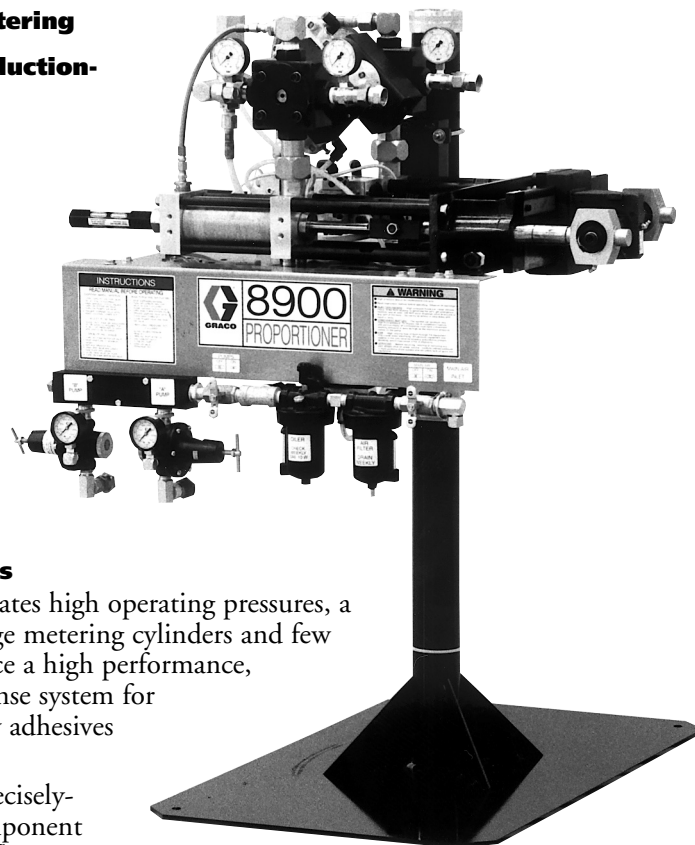


First choice when quality counts.™

# 8900 Proportioner

## Plural Component Fixed & Variable

- **Precise, positive displacement metering**
- **Dependable, production-proven operation**
- **Rugged, reliable heavy-duty components**
- **Fixed or adjustable ratio versatility**
- **Continuous, "on-demand" or adjustable shot-size dispensing**
- **Modular system configurations for customizing to suit your needs**



**Meter, mix,  
and dispense  
a wide range  
of high viscosity  
plural  
component  
sealants and  
adhesives**

The Graco 8900 integrates high operating pressures, a streamlined design, large metering cylinders and few moving parts to produce a high performance, low maintenance dispense system for two-part, high viscosity adhesives and sealants.

The 8900 dispenses precisely-proportioned, two-component materials regardless of flow rate.

Quality makes the 8900 the production-proven meter/mix system of choice. Whatever the job, the 8900 delivers unparalleled performance shift after shift. Whether filling cartridges for aircraft sealing applications or dispensing sealant for insulated glass, the 8900 provides day after day reliability that will improve your operation and product quality.

### How it Works

The 8900 proportioner uses fluid inlet pressure to continuously reciprocate two connected cylinders. This fluid pressure is usually provided by two pumps which supply consistent pressure to the proportioner cylinders.

As the major volume cylinder (base) and minor volume cylinder (catalyst) reciprocate, they positively displace the two material components on ratio to the outlet ports.

Specially-sized hoses connect the proportioner to a choice of mixers to ensure ratio accuracy. Either static or dynamic mixers can be incorporated into the system to deliver a homogeneous mix of base and catalyst.

### Typical Fluids Handled

- Polysulfide
- Silicone
- Urethane
- Epoxy
- Acrylics

SEALANT ADHESIVE EQUIPMENT

## Ordering Information/Configurator for the 8900

8900 Proportioner Systems are sold as configured systems. A complete system is assembled by selecting four equipment modules. These modules include fixed or variable ratio power-valved passive proportioner module, pump feed module for base material, pump feed module for catalyst material, and a mix/dispense module. For ordering information and accessories reference Form No. 684-041.

### Available Power-Valved Passive Proportioners:

- 1:1 Fixed (1000/1000)
- 2:1 Fixed (1000/500)
- 2.5:1 Fixed (250/100)
- 4:1 Fixed (1000/250)
- 5:1 Fixed (500/100)
- 10:1 Fixed (1000/100)
- 1:1 to 4:1 Variable (1000/1000)
- 2:1 to 8:1 Variable (1000/500)
- 4:1 to 16:1 Variable (1000/250)
- 5:1 to 20:1 Variable (500/100)

### Available Base Pump Feed Modules:

- 20:1 President on 5 Gal. (20 Liter) Ram
- 34:1 Senator on 5 Gal. (20 Liter) Ram
- 23:1 Monark on 5 Gal. (20 Liter) Ram
- 20:1 President on 55 Gal. (200 Liter) Ram
- 34:1 Senator on 55 Gal. (200 Liter) Ram
- 31:1 Bulldog on 55 Gal. (200 Liter) Ram
- 20:1 Senator on 55 Gal. (200 Liter) Drum
- 9:1 DynaMite 1 Gal. (3.79 Liter) Can Ram
- 10 Gal. (37.85 Liter) Pressure Tank with 15:1 Booster
- 10:1 President 5 Gal. (20 Liter) Pail Cover

### Available Catalyst Pump Feed Modules:

- 20:1 President on 5 Gal. (20 Liter) Ram
- 34:1 Senator on 5 Gal. (20 Liter) Ram
- 23:1 Monark on 5 Gal. (20 Liter) Ram
- 20:1 President on 55 Gal. (200 Liter) Ram
- 34:1 Senator on 55 Gal. (200 Liter) Ram
- 31:1 Bulldog on 55 Gal. (200 Liter) Ram
- 20:1 Senator on 55 Gal. (200 Liter) Drum
- 9:1 DynaMite 1 Gal. (3.79 Liter) Can Ram
- 10 Gal. (37.85 Liter) Pressure Tank with 15:1 Booster
- 10:1 President 5 Gal. (20 Liter) Pail Cover

### Available Mix Kits:

- Cart Fill Medium Viscosity Wide Ratio
- Cart Fill High Viscosity Wide Ratio
- Brush Grade Cart Fill Wide Ratio
- 2K Ultra-Lite 20 ft. (6.1 m) Automatic Wide Ratio
- 2K Ultra-Lite 20 ft. (6.1 m) Automatic Close Ratio
- 2K Ultra-Lite 20 ft. (6.1 m) Manual Wide Ratio
- 2K Ultra-Lite 20 ft. (6.1 m) Manual Close Ratio